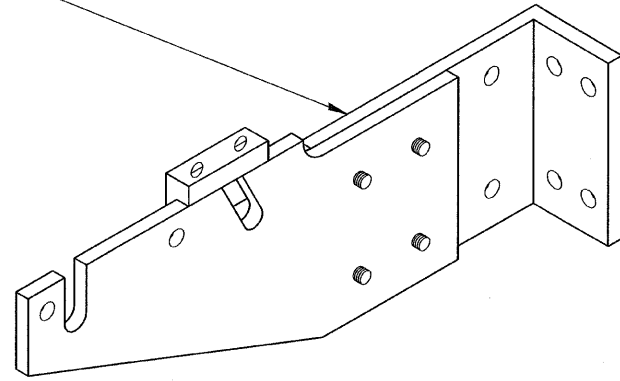
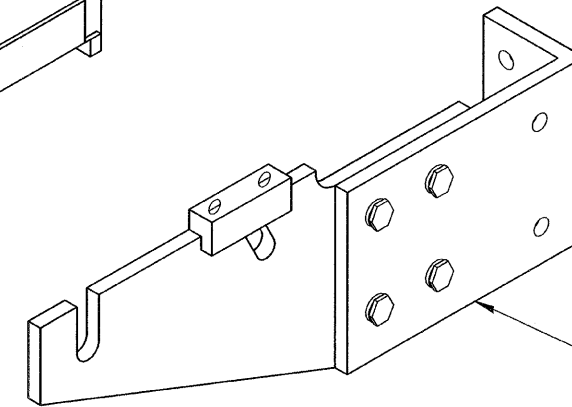
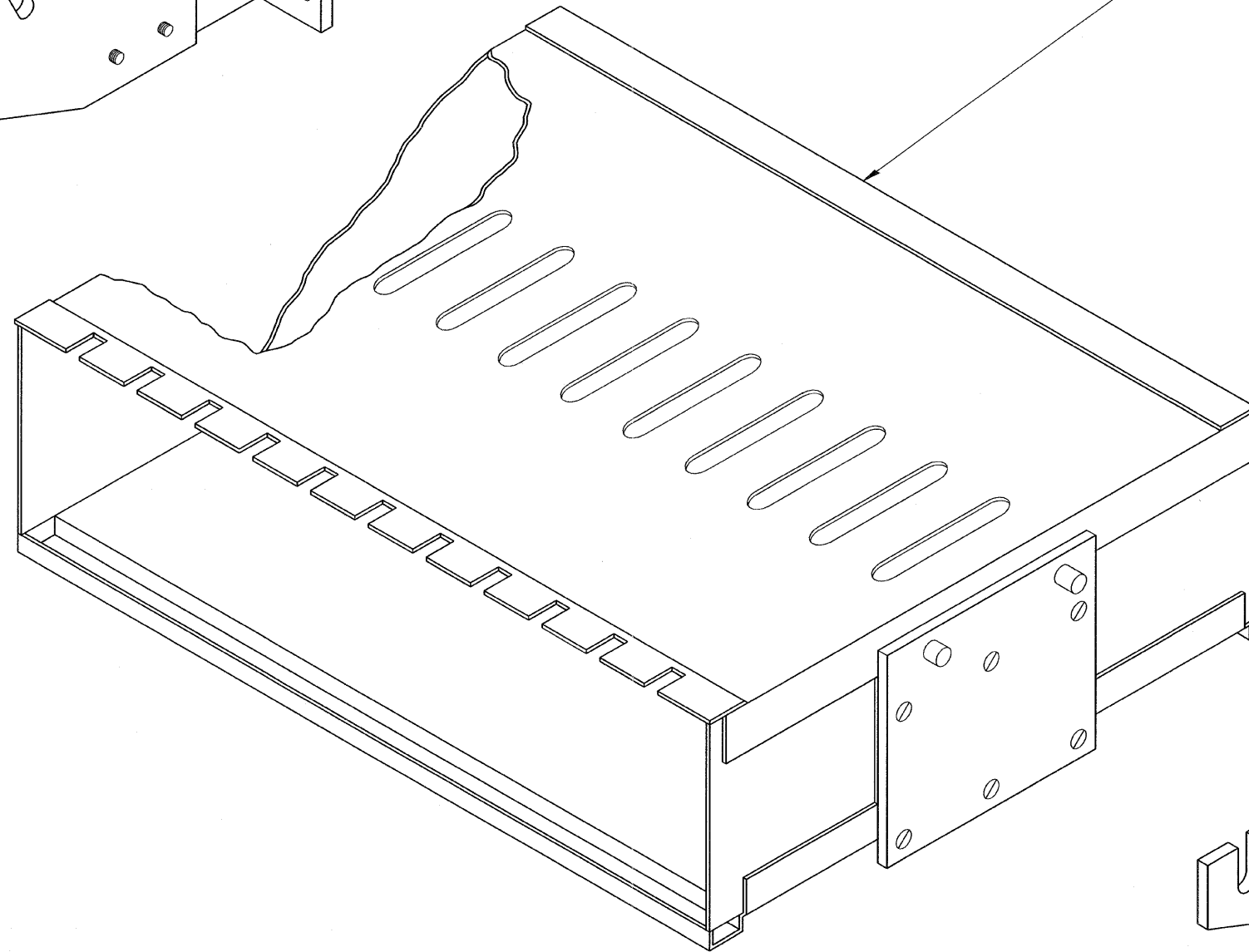


CRADLE



II MODULE MOUNTING FRAME
(FOR II TYPE "A" PLUG-IN TYPE TONE MODULES)



CRADLE

NOTE:

TYPE "A" TONE MODULES ARE PLUG
IN UNIT MEASURING 5-7/32" (132.55 mm) X 1.5" (38.1 mm) X 13-3/4" (349.25 mm)

FILE NAME = C:\Projects\TSC\TYPICALS\TSC\TYP08.dgn	USER NAME = mezag	DESIGNED - R.L.	REVISED - 06/94	STATE OF ILLINOIS DEPARTMENT OF TRANSPORTATION TRAFFIC SYSTEMS CENTER	FIELD MOUNTING FRAME WITH CRADLE ASSEMBLY			F.A. RTE.	SECTION	COUNTY	TOTAL SHEETS	SHEET NO.
		DRAWN - G.M.	REVISED - 09/96								741	236
		CHECKED - R.L.	REVISED -		SCALE: NONE	SHEET NO. OF SHEETS	STA. TO STA.	CONTRACT NO.				
		DATE - 06/21/94	REVISED -		FED. ROAD DIST. NO. ILLINOIS FED. AID PROJECT							