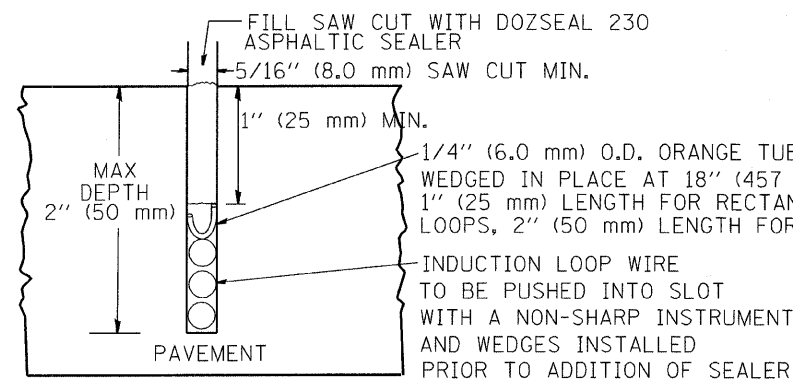
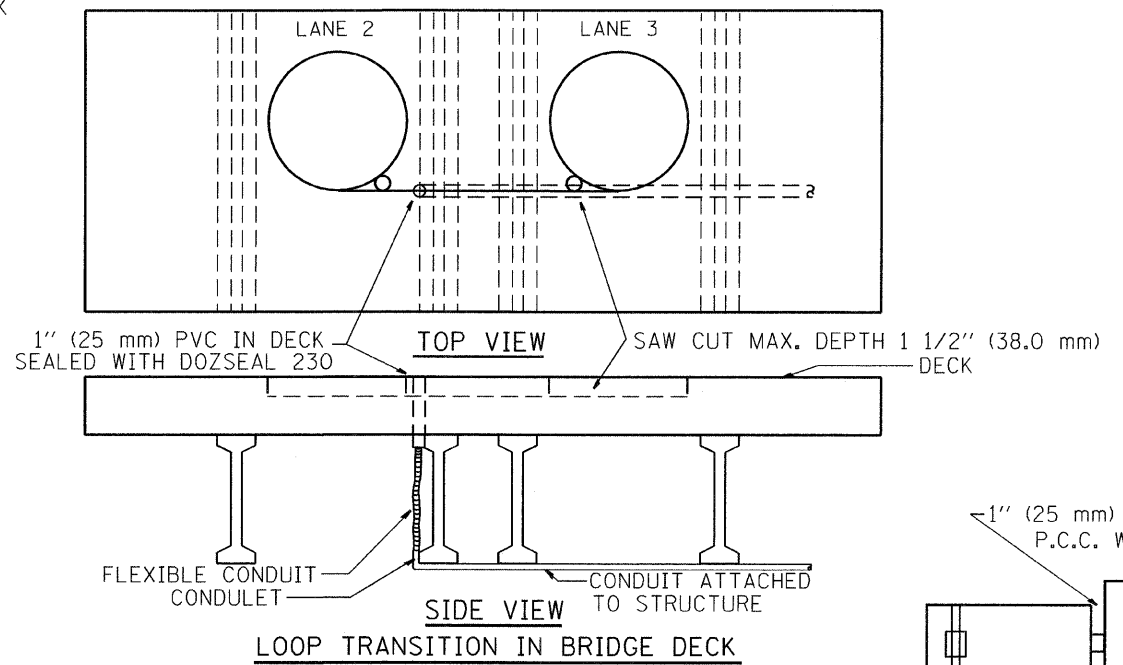
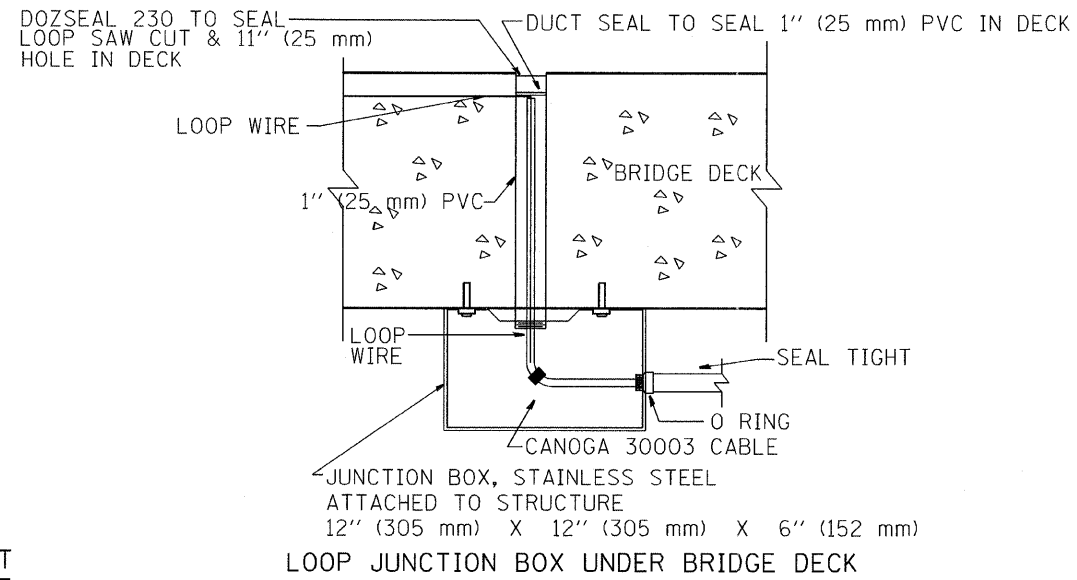
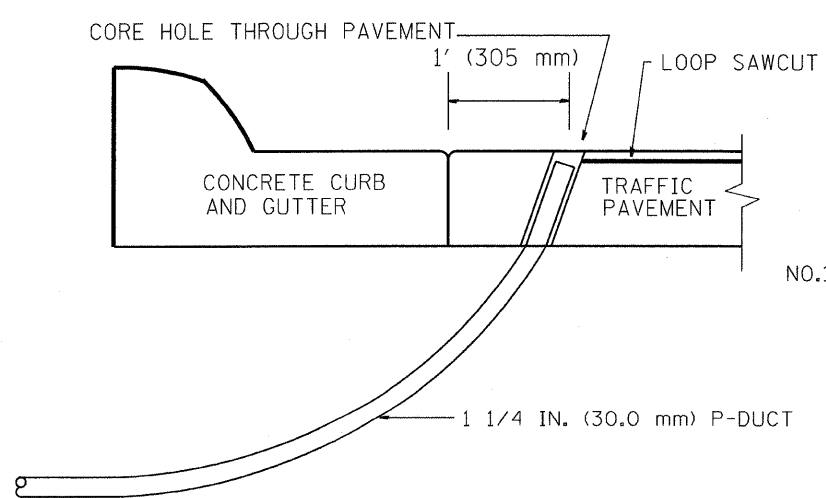
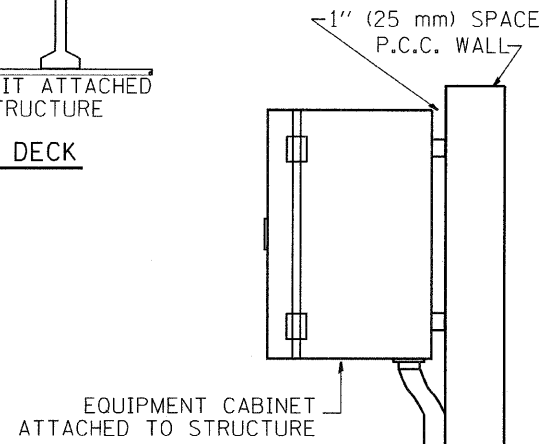
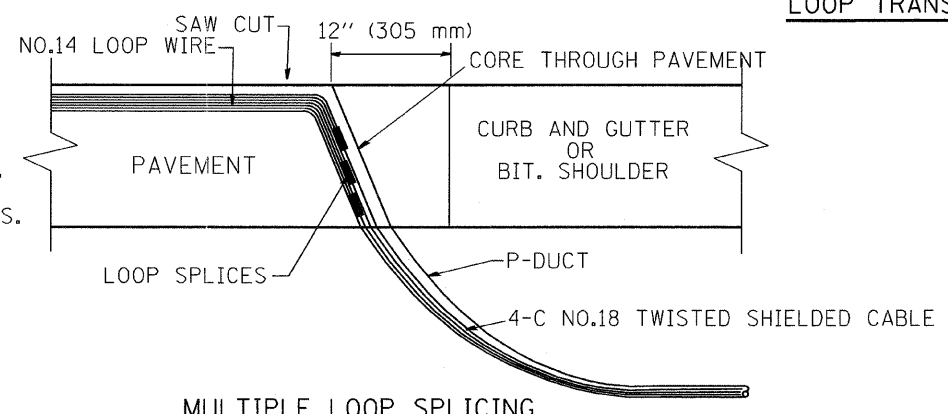


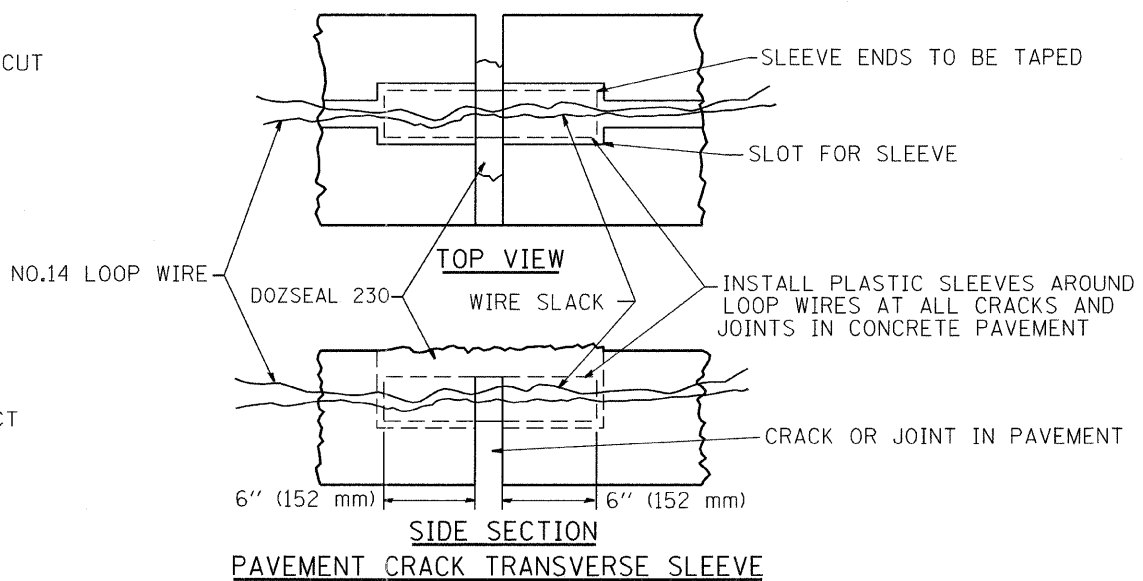
TYPICAL LOOP SAWCUT LAYOUT



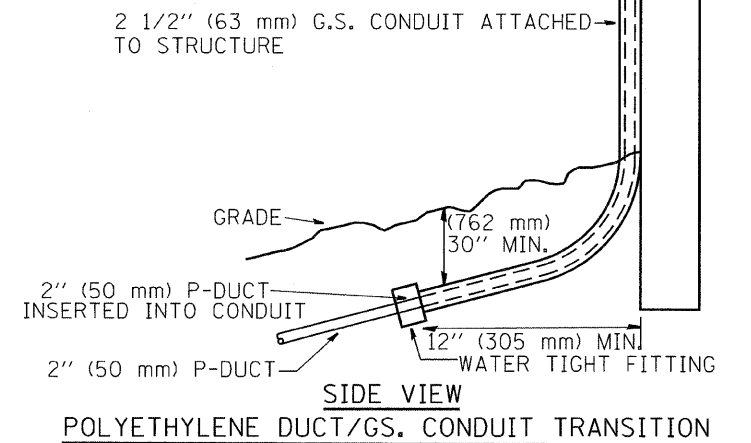
LOOP CROSS SECTION IN PAVEMENT



SIDE SECTION LOOP LEAD-IN TRANSITION DETAIL



SIDE SECTION PAVEMENT CRACK TRANSVERSE SLEEVE



SIDE VIEW POLYETHYLENE DUCT/GS. CONDUIT TRANSITION

FILE NAME = C:\Projects\TSC\TYPICALS\TSC\TYP08.dgn	USER NAME = mezoq	DESIGNED - R.L.	REVISED - 06/94
		DRAWN - G.M.	REVISED - 03/95
		CHECKED - R.L.	REVISED - 11/95
		DATE - 06/22/94	REVISED - 10/96

STATE OF ILLINOIS
DEPARTMENT OF TRANSPORTATION
TRAFFIC SYSTEMS CENTER

LOOP, CONDUIT & DUCT
INSTALLATION DETAILS

SCALE: NONE SHEET NO. OF SHEETS STA. TO STA.

F.A. RTE.	SECTION	COUNTY	TOTAL SHEETS	SHEET NO.
			741	244
CONTRACT NO.				
FED. ROAD DIST. NO. ILLINOIS FED. AID PROJECT				