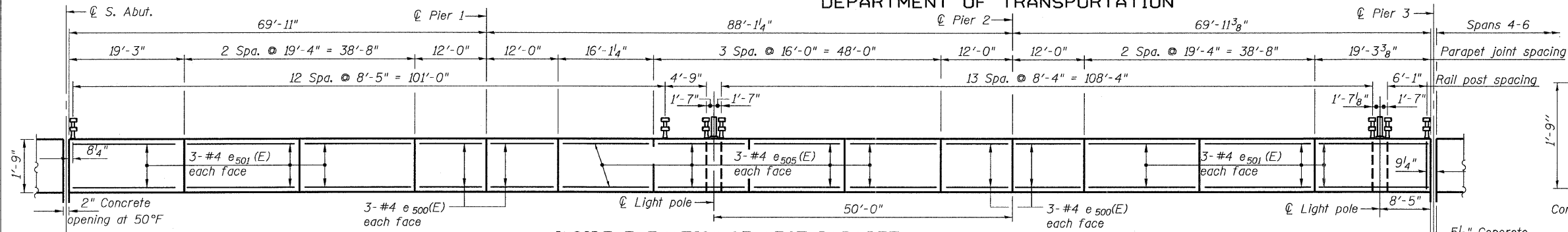
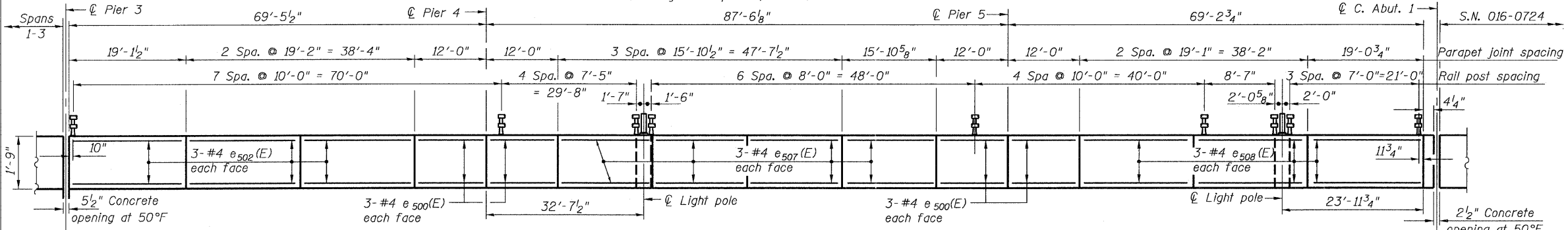


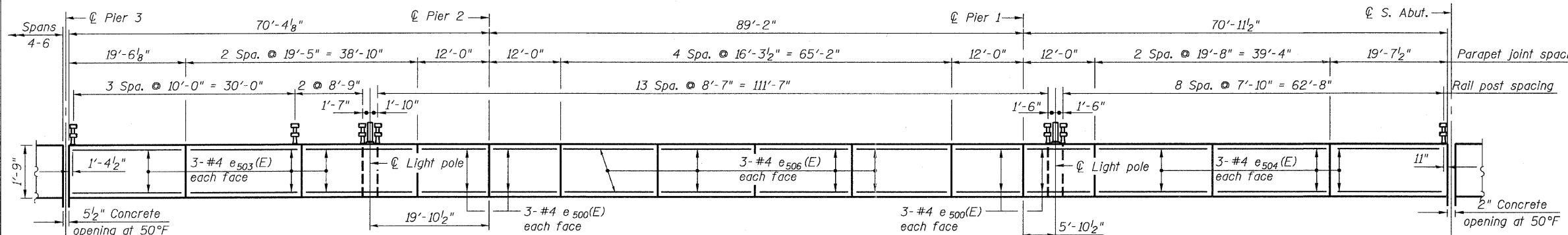
STATE OF ILLINOIS
DEPARTMENT OF TRANSPORTATION



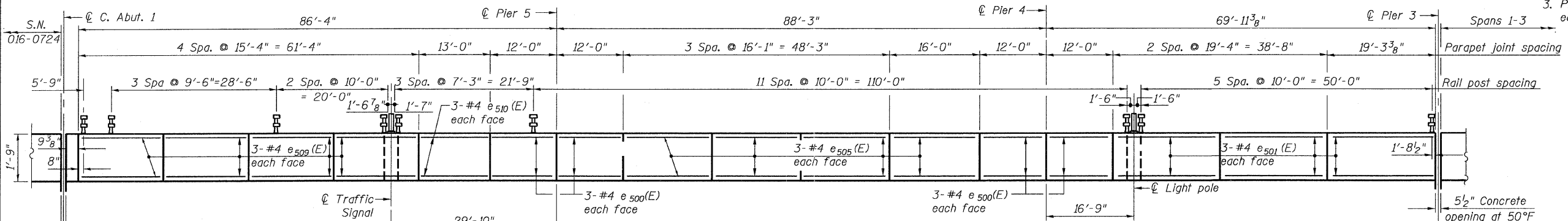
INSIDE ELEVATION OF WEST PARAPET
(Looking West Spans 1, 2 & 3)



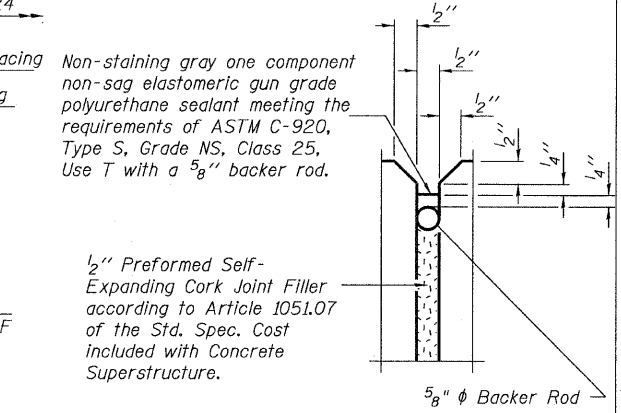
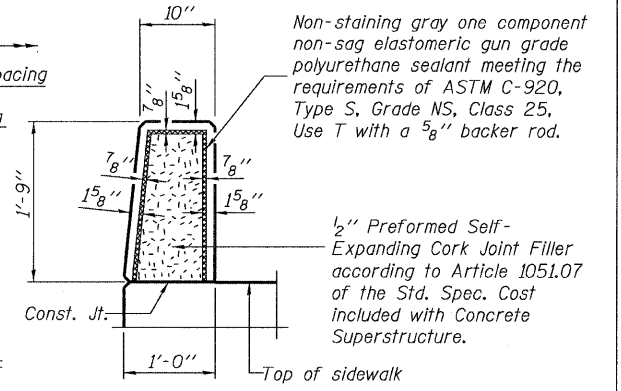
INSIDE ELEVATION OF WEST PARAPET
(Looking West Spans 4, 5 & 6)



INSIDE ELEVATION OF EAST PARAPET
(Looking East Spans 1, 2 & 3)



INSIDE ELEVATION OF EAST PARAPET
(Looking East Spans 4, 5 & 6)



PARAPET JOINT DETAILS

NOTES

1. Parapet dimensions and rail post spacing are taken along the front face of parapet.
2. For geometry of the parapet, see Sheets 17 & 18.
3. Place 1-#4 #505(E) bar on each side of each rail post.

**SUPERSTRUCTURE
PARAPET ELEVATIONS
STRUCTURE NO. 016-3241**

TYLIN INTERNATIONAL

DESIGNED - JRE		REVISIONS	
CHECKED - AMD,	NAME	DATE	
DRAWN - MAU			
CHECKED - AMD,			
DATE - 03/25/2011			

SHEET NO. 21
71 SHEETS

F.A.I. RTE.	SECTION	COUNTY	TOTAL SHEETS	SHEET NO.
55	0711.2R & 1011.1BR	COOK	741	274
CONTRACT NO. 60999				
FED. ROAD DIST. NO. 1 ILLINOIS FED. AID PROJECT				