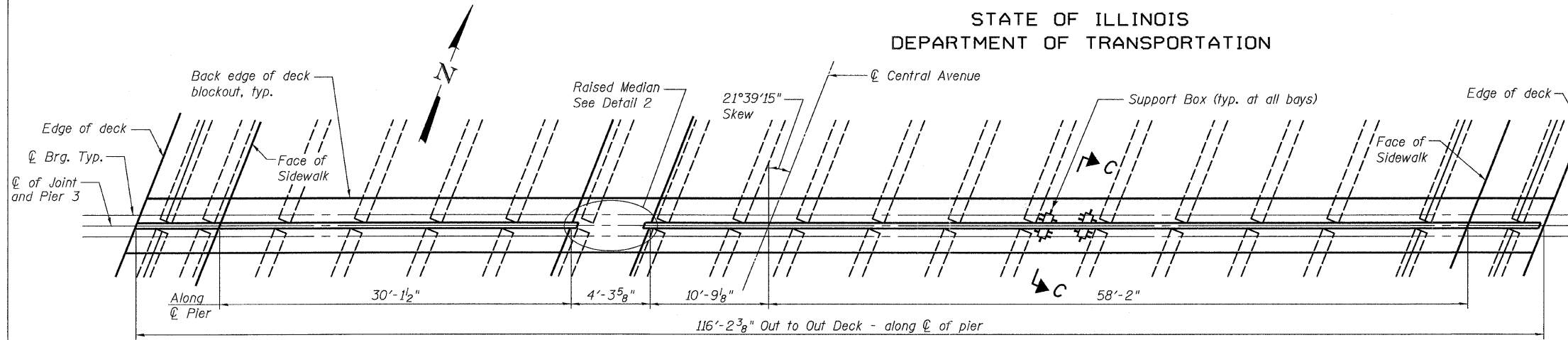
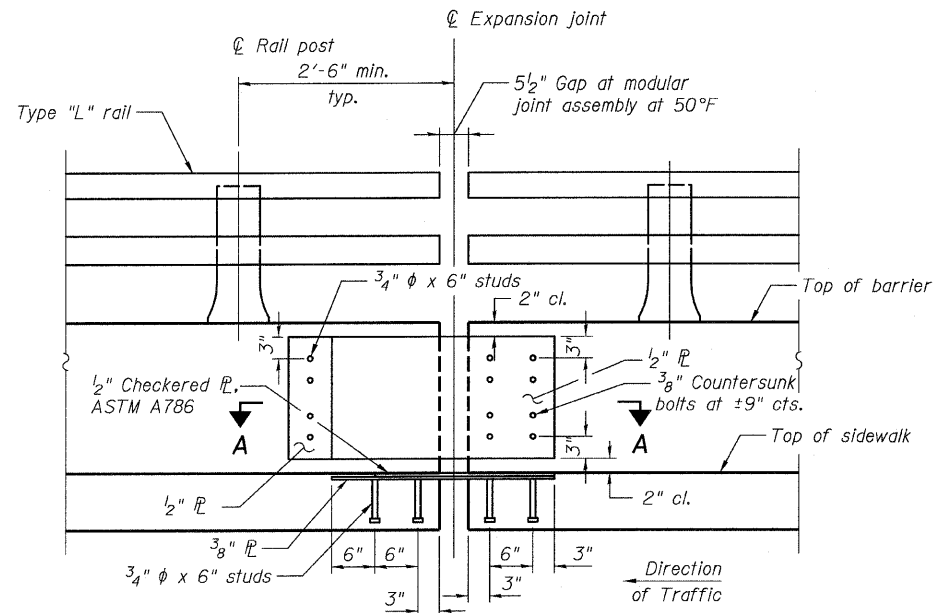


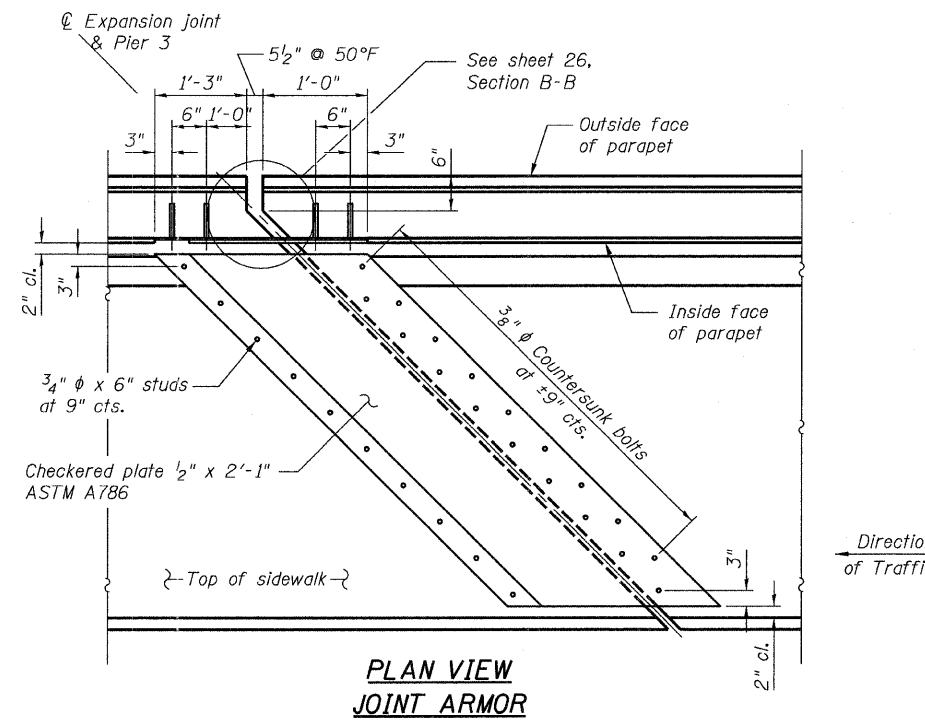
STATE OF ILLINOIS  
DEPARTMENT OF TRANSPORTATION



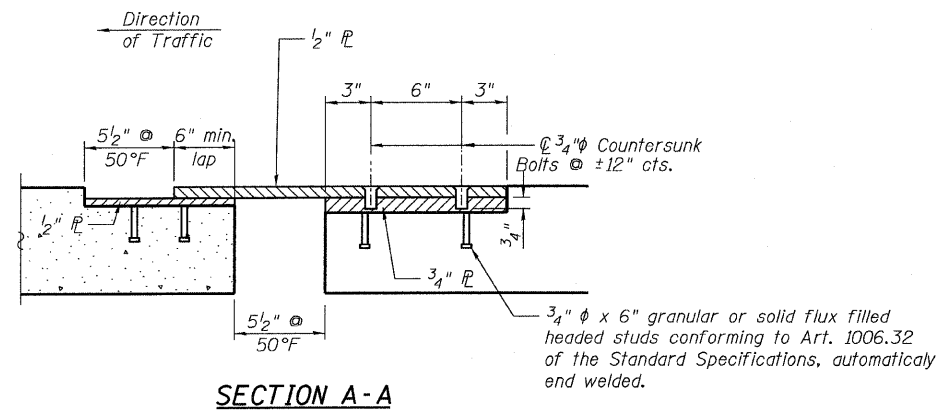
PLAN



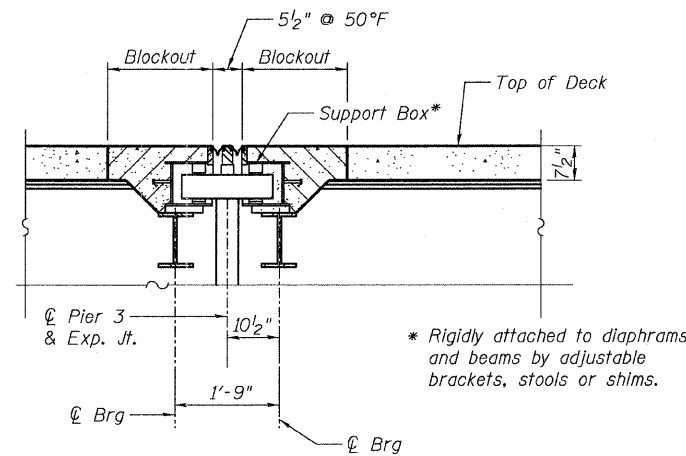
SECTION B-B



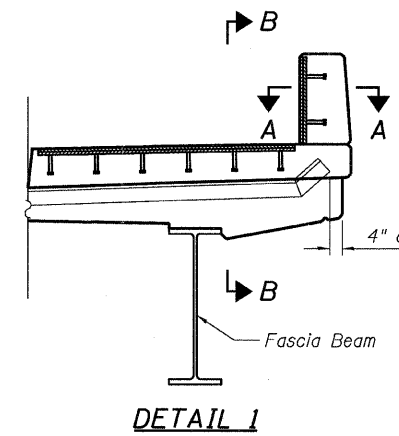
PLAN VIEW  
JOINT ARMOR



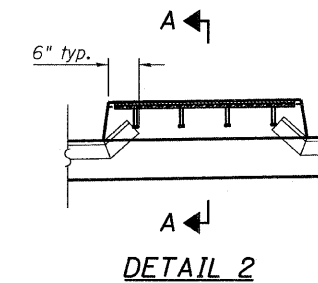
SECTION A-A



SECTION C-C



DETAIL 1



DETAIL 2

Note:  
Girders not shown.

GENERAL NOTES

- The expansion joint device shall be a prefabricated modular assembly with multiple support bars and separator beams, providing a continuous seal across the deck.
- All splices of center beams and edge beams shall be full penetration welds. Upturn splices may be partial penetration welds.
- Joint shall be fabricated according to the manufacturer's recommendations and as described in the GBSP No. 18 for Modular Expansion Joint and as approved by the Engineer.
- Joint openings shall be adjusted according to Article 520.04 of the Standard Specifications when the concrete breakout is cast at an ambient temperature other than 50° F.
- Joint shall be fabricated to conform to the roadway profile and cross slope.
- The cost of furnishing all material for the sliding plate assemblies at the parapets and median barrier shall be included with Furnishing Modular Expansion Joints. The sliding plate assembly shall be galvanized.
- Countersunk bolts and concrete inserts shall be Hot-Dipped Galvanized according to AASHTO M232.
- Barrier plates to be AASHTO M270, Grade 36 and to be Hot-Dipped Galvanized according to AASHTO M111 after fabrication.
- All anchor studs are furnished under separate contract.
- Modular expansion joint shall be assembled in their final relative position with the ends in place for shop inspection and acceptance.
- The modular expansion joint shall be either the Maurer Swivel System by the D.S. Brown Company or the WABO X-Cel System by the Watson Bowman Acme Corporation.
- The modular expansion joint shall be designed in accordance with the latest AASHTO Specifications for HS20-44 truck loading with impact and for a minimum movement of  $\pm 2 3/4$ " (total of 5 1/2")

BILL OF MATERIAL

ITEM	UNIT	TOTAL
Erecting Modular Expansion Joint 6"	Foot	99

MODULAR EXPANSION  
JOINT DETAILS AT PIER 3  
STRUCTURE NO. 016-3241

TYLIN INTERNATIONAL

DESIGNED - MRB	REVISIONS	
CHECKED - AMD,	NAME	DATE
DRAWN - MRB		
CHECKED - AMD,		
DATE - 03/25/2011		

SHEET NO. 27  
71 SHEETS

F.A.I. RTE.	SECTION	COUNTY	TOTAL SHEETS	SHEET NO.
55	0711.2R & 1011.1BR	COOK	741	280
CONTRACT NO. 60999				
FED. ROAD DIST. NO. 1 ILLINOIS FED. AID PROJECT				

4/28/2011