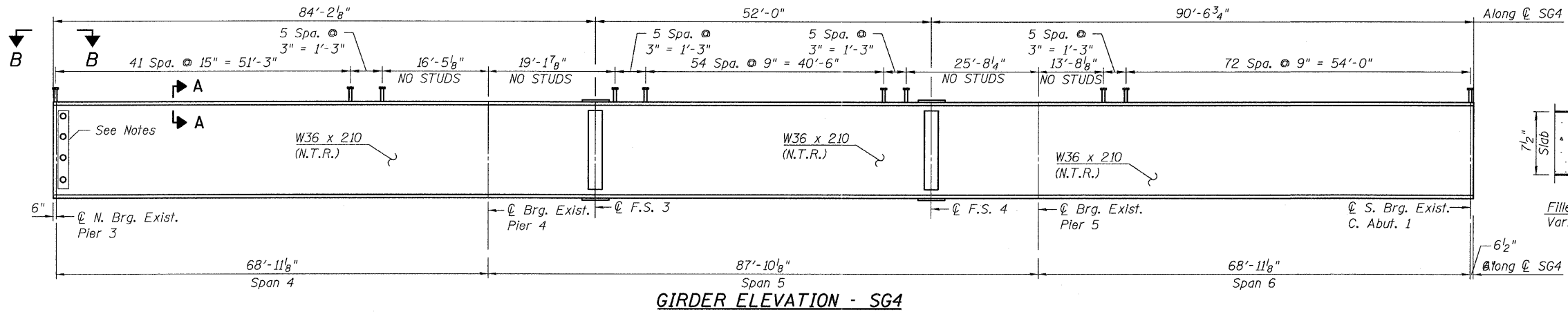
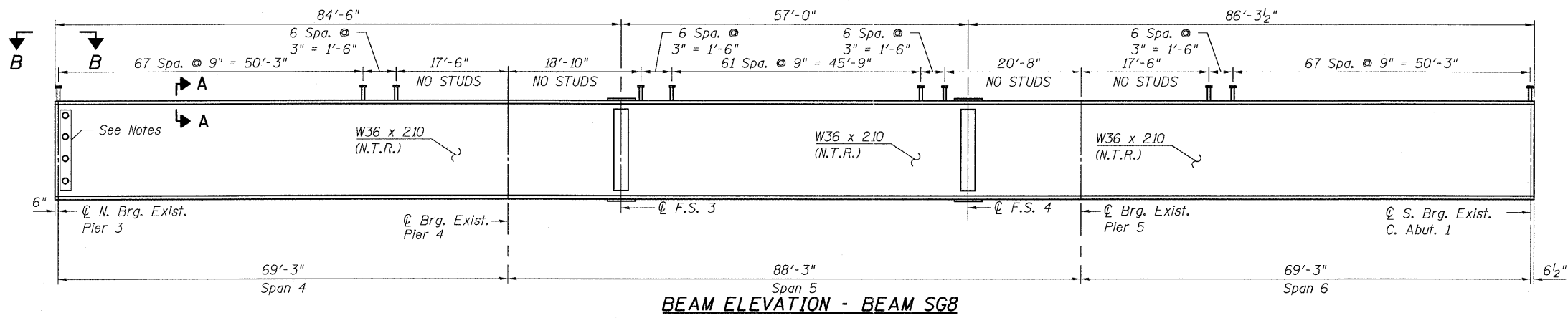


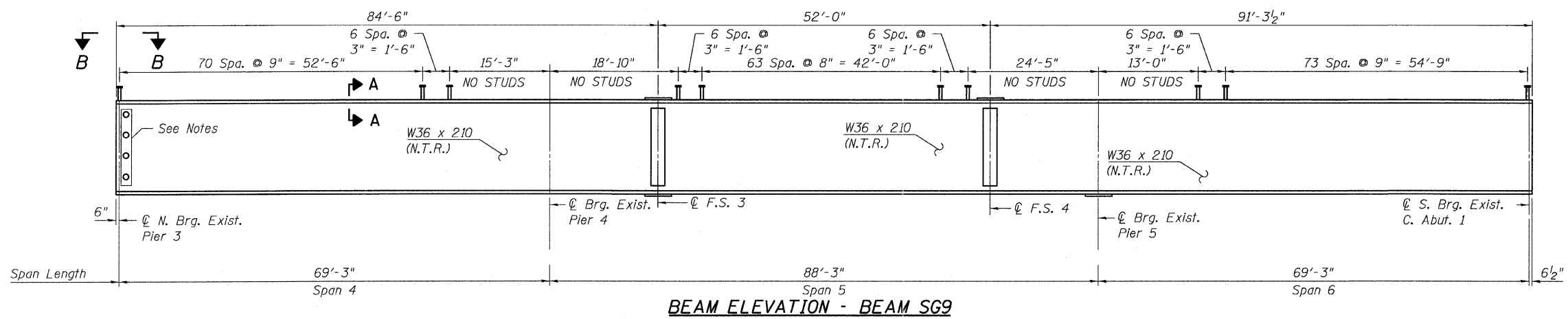
STATE OF ILLINOIS
DEPARTMENT OF TRANSPORTATION



GIRDER ELEVATION - SG4



BEAM ELEVATION - BEAM SG8



BEAM ELEVATION - BEAM SG9

NOTES
See Sheet No. 38 for number and location of holes in beam webs.
Load carrying components designated "NTR" shall conform to the Supplemental Requirements for Notch Toughness, Zone 2.
New structural steel members are furnished under a separate contract.

GIRDER ELEVATIONS
SPANS 4, 5 & 6
STRUCTURE NO. 016-3241

TYLIN INTERNATIONAL	DESIGNED - PK	REVISIONS		SHEET NO. 35	F.A.I. RTE.	SECTION	COUNTY	TOTAL SHEETS	SHEET NO.					
	CHECKED - AMD,	NAME	DATE		55					0711.2R & 1011.1BR	COOK	741	288	
	DRAWN - PK													
	CHECKED - AMD,													
	DATE - 03/25/2011													
71 SHEETS					CONTRACT NO. 60999									
					FED. ROAD DIST. NO. 1 ILLINOIS FED. AID PROJECT									

11:30:34 AM
p:\01345\structure\01 South Approach 016-3241\15501\15501.ramedt12.dgn
4/28/2011