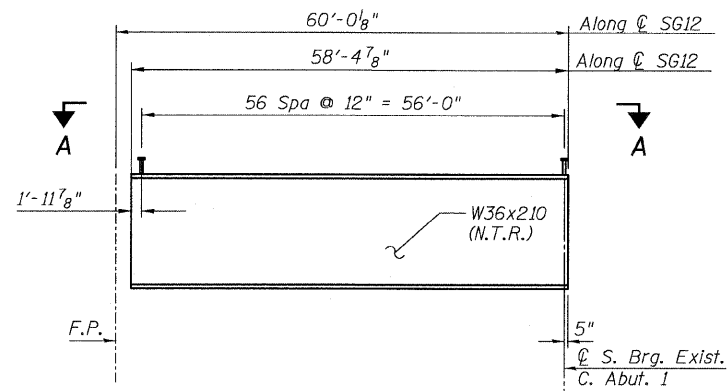
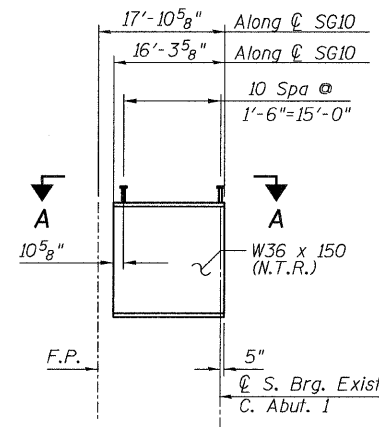


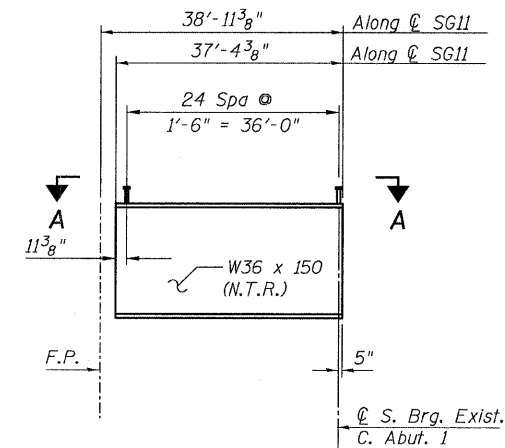
STATE OF ILLINOIS
DEPARTMENT OF TRANSPORTATION



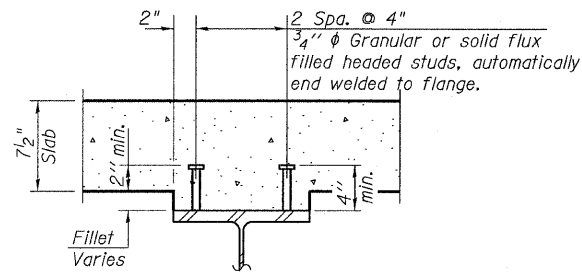
GIRDER ELEVATION - SG12



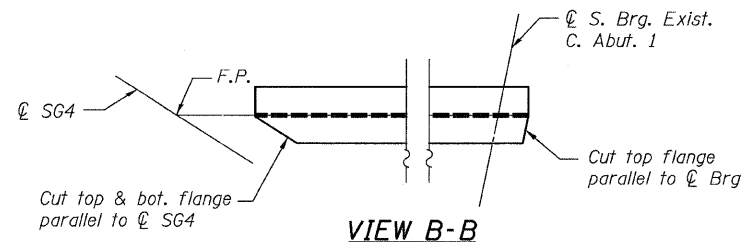
GIRDER ELEVATION - SG10



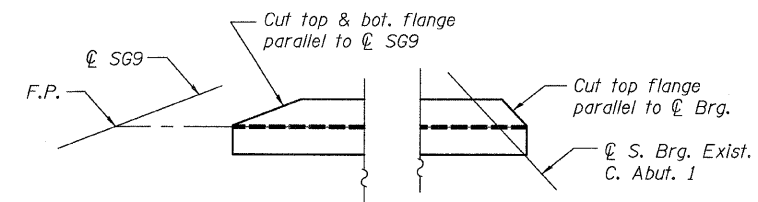
GIRDER ELEVATION - SG11



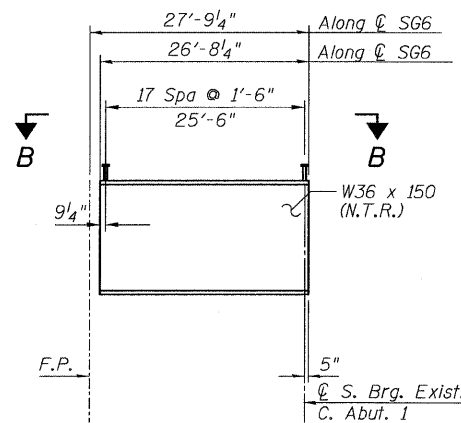
SHEAR STUD LAYOUT



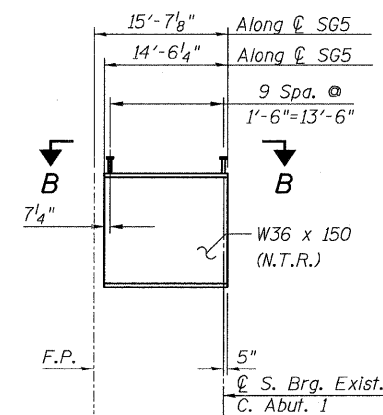
VIEW B-B



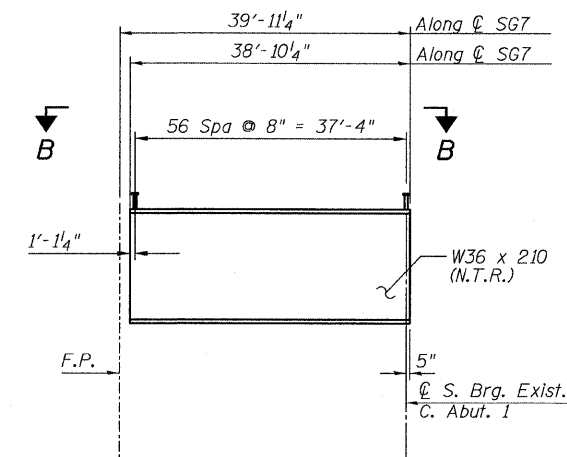
VIEW A-A



GIRDER ELEVATION - SG6



GIRDER ELEVATION - SG5



GIRDER ELEVATION - SG7

NOTES:

1. F.P. - denotes Framing Point
2. Lengths shown are along beam C.L.
3. Work this sheet with sheets 34 & 35.
4. Load carrying components designated "NTR" shall conform to the Supplemental Requirements for Notch Toughness, Zone 2.
5. New structural steel members are furnished under a separate contract.

GIRDER ELEVATIONS FLARED GIRDERS
STRUCTURE NO. 016-3241

TYLIN INTERNATIONAL	DESIGNED - SP	REVISIONS	
	CHECKED - AMD,	NAME	DATE
	DRAWN - SP		
	CHECKED - AMD,		
	DATE - 03/25/2011		

SHEET NO. 36	F.A.I. RTE.	SECTION	COUNTY	TOTAL SHEETS	SHEET NO.
	71 SHEETS	55	0711.2R & 1011.1BR	COOK	741 289
FED. ROAD DIST. NO. 1			ILLINOIS	FED. AID PROJECT	

CONTRACT NO. 60999