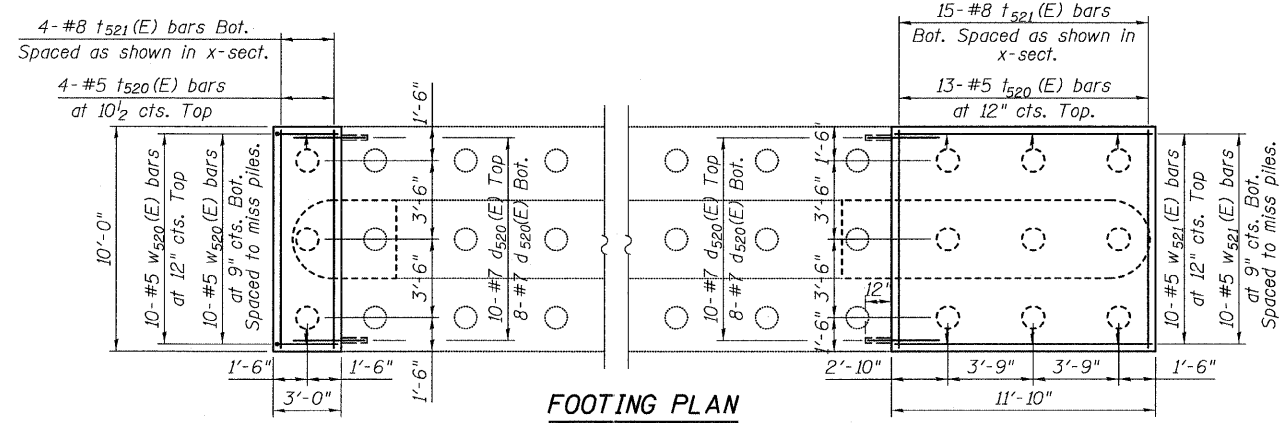
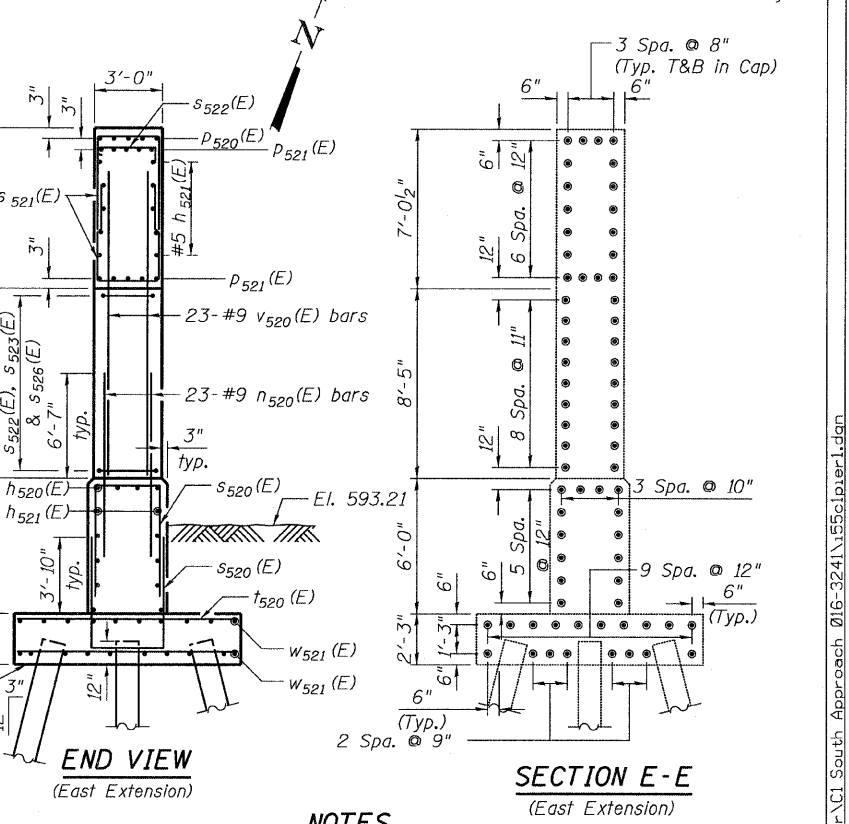
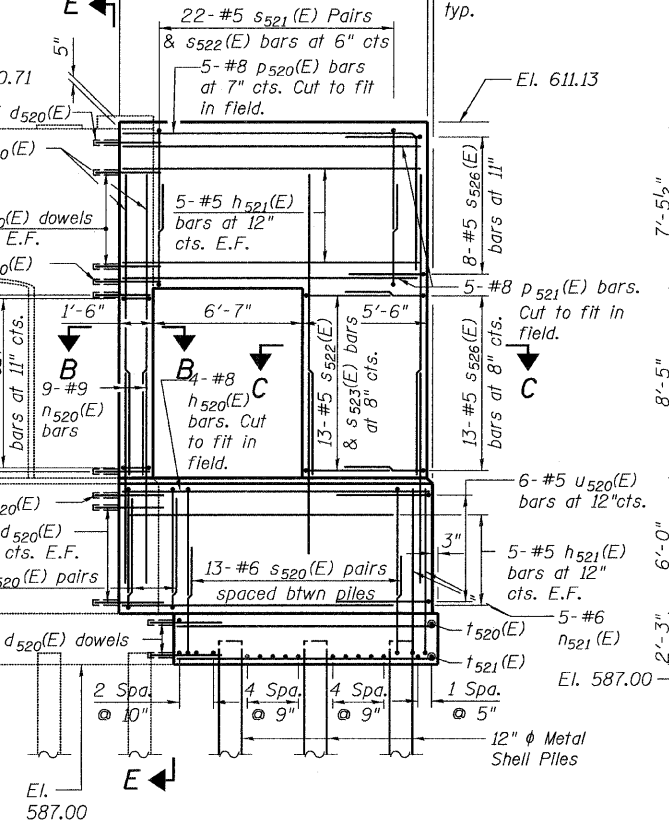
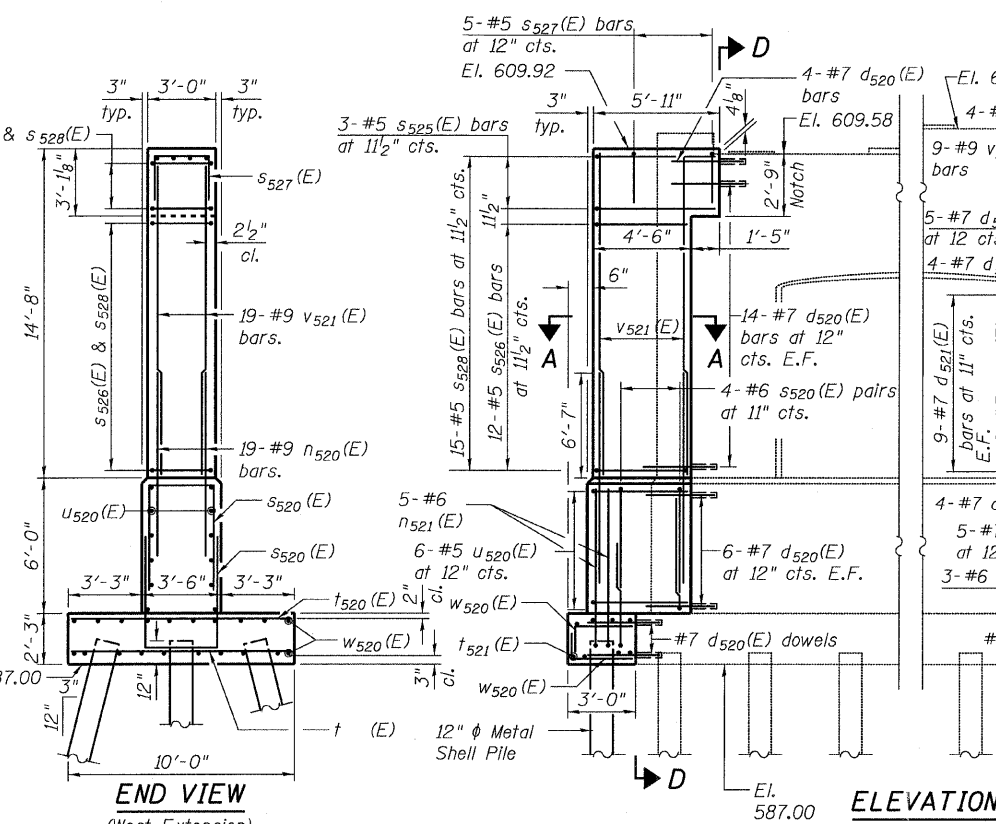
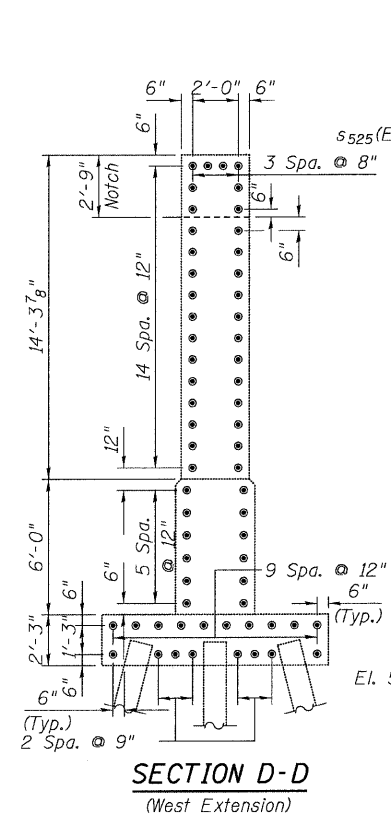
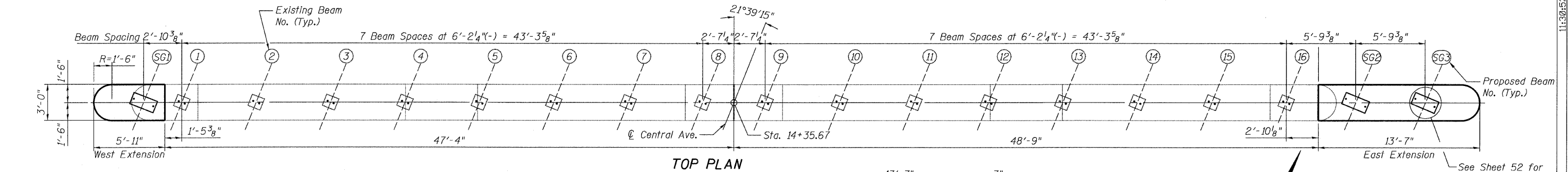


STATE OF ILLINOIS
DEPARTMENT OF TRANSPORTATION



PILE DATA TABLE

Type: 12" ϕ x 0.25" Wall
Nominal Required Bearing: 270 kips
Allowable Resistance Available: 90 kips
Estimated Length: 35 ft
No. Production Piles: 11
No. Test Piles: 1

Proposed Pile
Existing Pile

- NOTES**
- Epoxy grout $d_{520}(E)$ and $d_{521}(E)$ bars according to Article 584 of the Standard Specifications. Drill to miss existing reinforcement. The epoxy grout and method of application shall be approved by the Engineer. All drilling and grouting of rebar to be included with the cost of "Reinforcement Bars, Epoxy Coated."
 - Space reinforcement in pier cap to miss anchor bolts.
 - Space bottom reinforcement in footing to miss piles.
 - For sections A-A, B-B & C-C see Sheet 52.
 - For Bill of Materials, see Sheet 52.
 - E.F - Denotes each face.

**PIER 1 WIDENING
STRUCTURE NO. 016-3241**

TYLIN INTERNATIONAL

DESIGNED - MMB		REVISIONS	
CHECKED - AMD,	NAME	DATE	
DRAWN - MMB			
CHECKED - AMD,			
DATE - 03/25/2011			

SHEET NO. 51	F.A.I. RTE.	SECTION	COUNTY	TOTAL SHEETS	SHEET NO.
	71 SHEETS	0711.2R & 1011.1BR	COOK	741	304
FED. ROAD DIST. NO. 1 ILLINOIS			FED. AID PROJECT		
CONTRACT NO. 60999					