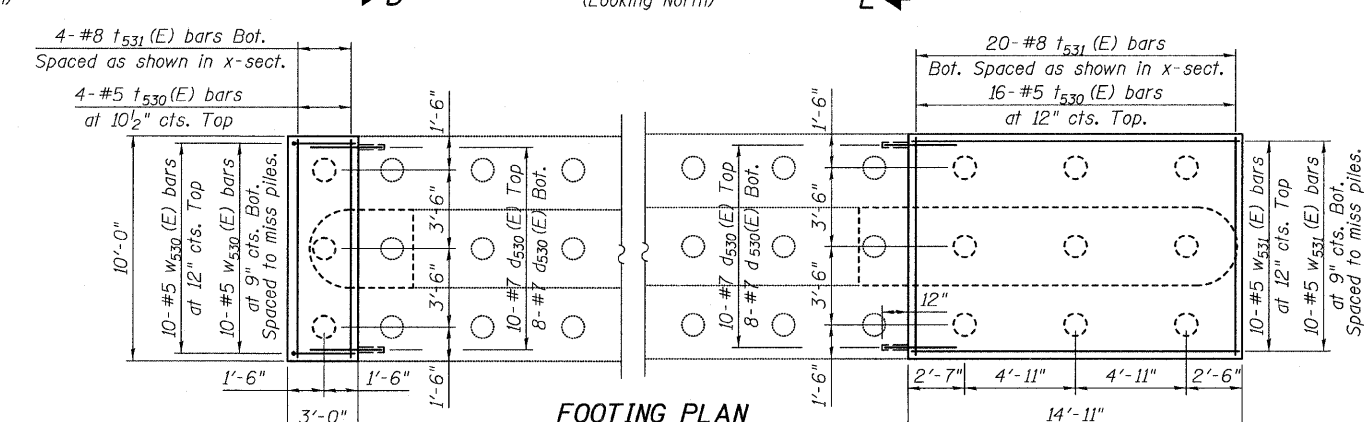
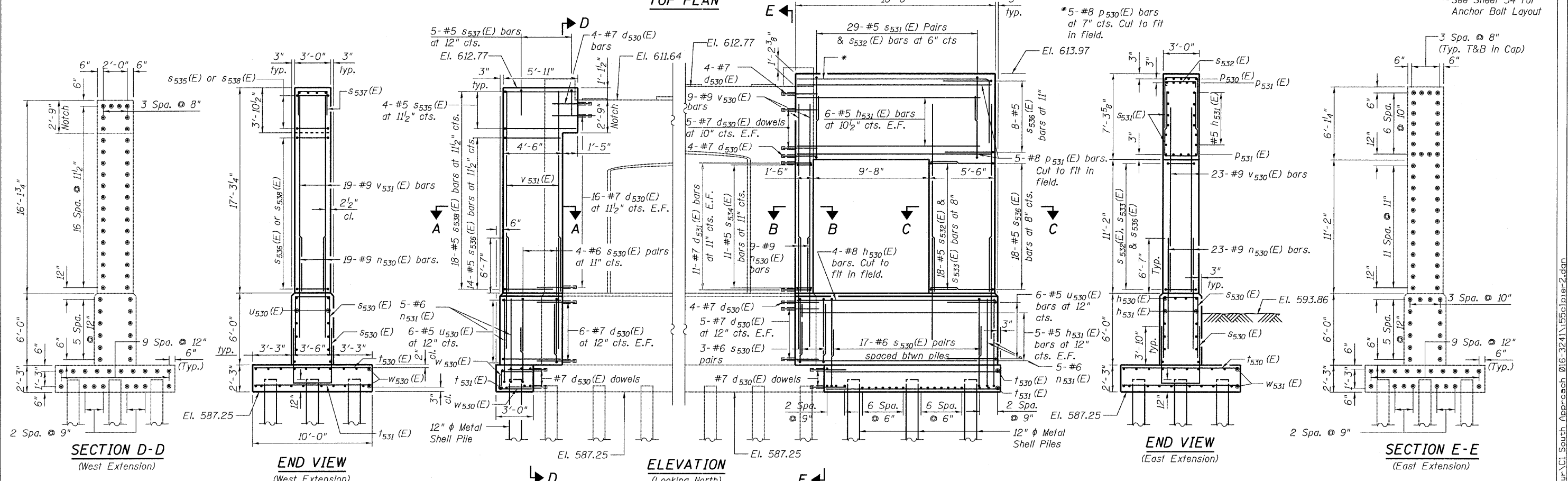
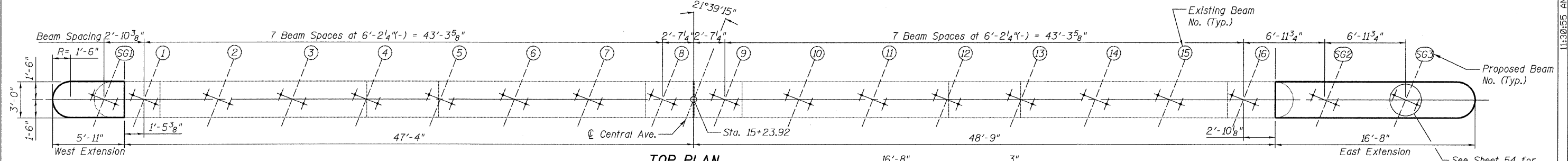


STATE OF ILLINOIS
DEPARTMENT OF TRANSPORTATION



PILE DATA TABLE

Type: 12" ϕ x 0.25" Wall
Nominal Required Bearing: 270 kips
Allowable Resistance Available: 90 kips
Estimated Length: 35 ft
No. Production Piles: 11
No. Test Piles: 1

○ Proposed Pile
○ Existing Pile

- NOTES**
- Epoxy grout $d_{530}(E)$ and $d_{531}(E)$ bars according to Article 584 of the Standard Specifications. Drill to miss existing reinforcement. The epoxy grout and method of application shall be approved by the Engineer. All drilling and grouting of rebar to be included with the cost of "Reinforcement Bars, Epoxy Coated."
 - Space reinforcement in pier cap to miss anchor bolts.
 - Space bottom reinforcement in footing to miss piles.
 - For sections A-A, B-B & C-C see Sheet 54.
 - For Bill of Materials, see Sheet 54.
 - E.F. - denotes each face.

**PIER 2 WIDENING
STRUCTURE NO. 016-3241**

TYLIN INTERNATIONAL	DESIGNED - MMB	REVISIONS		SHEET NO. 53	F.A.I. RTE.	SECTION	COUNTY	TOTAL SHEETS	SHEET NO.	
	CHECKED - AMD,	NAME	DATE		71 SHEETS	55	0711.2R & 1011.1BR	COOK	741	306
	DRAWN - MMB				CONTRACT NO. 60999					
	CHECKED - AMD,				FED. ROAD DIST. NO. 1 ILLINOIS FED. AID PROJECT					
	DATE - 03/25/2011									