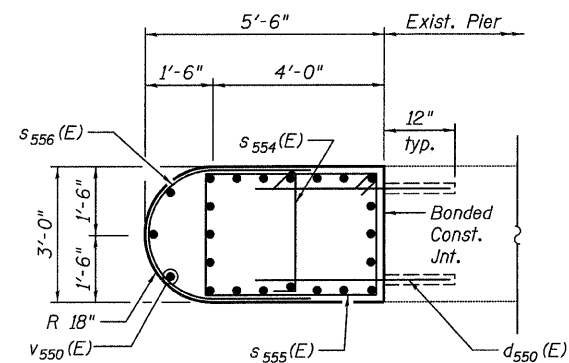
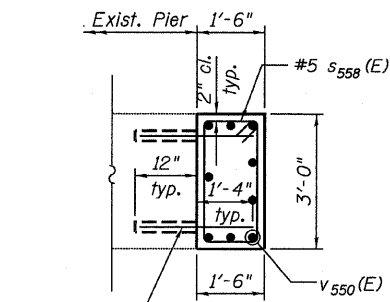


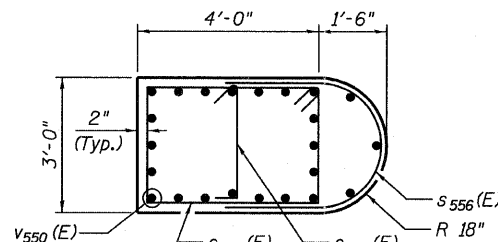
STATE OF ILLINOIS
DEPARTMENT OF TRANSPORTATION



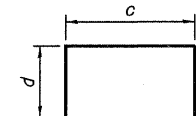
SECTION A-A



SECTION B-B

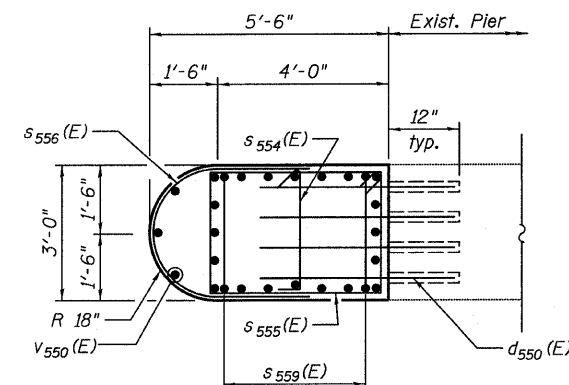


SECTION C-C

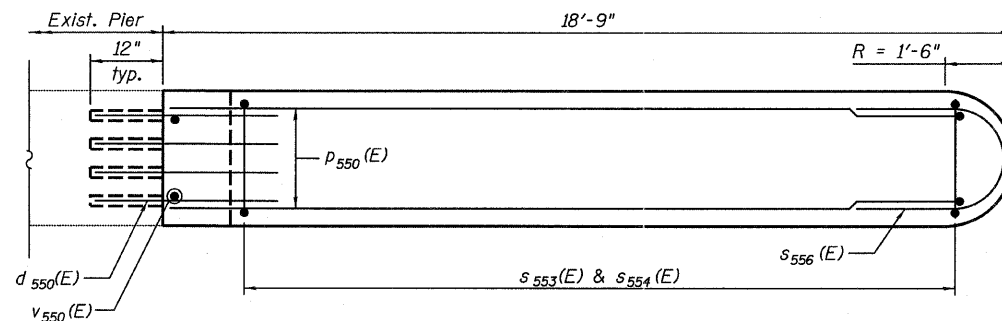


Bar	c	d
s550(E)	3'-2"	2'-7"
s552(E)	3'-2"	5'-10"
s553(E)	2'-8"	6'-2"
s559(E)	2'-7"	2'-2"

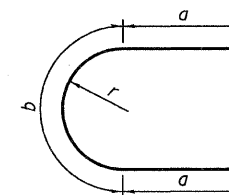
BARS s550(E), s552(E),
s553(E) & s559(E)



WEST EXTENSION-PLAN

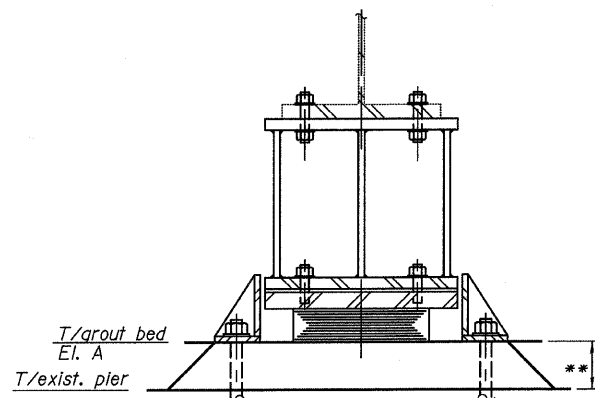


EAST EXTENSION-PLAN



Bar	a	b	r
s556(E)	2'-2"	3'-11"	1'-3"
u550(E)	3'-10"	4'-9"	1'-6"

BARS s556(E) & u550(E)



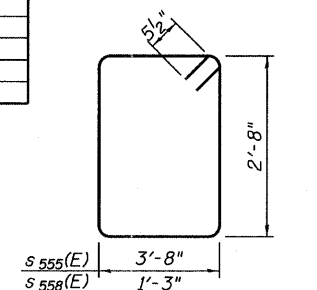
** Provide non-shrink grout at locations indicated in accordance with section 1024 of the Standard Specifications.

The strength of the grout shall not be less than 6000 psi at the age of 28 days.

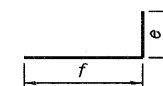
The grout will not be paid separately but shall be included in "Concrete Structures".

PROPOSED BEAM BEARING DETAIL
AT EXISTING BEAMS

Existing Girder	El. A	Approx. Top of Existing Pier El.
16	617.732	617.632
15	617.736	617.632
14	617.739	617.632
13	617.741	617.632
12	617.743	617.632
11	617.745	617.632
10	617.747	617.632
9	617.748	617.632
8	617.663	617.419
7	617.519	617.419
6	617.375	617.130
5	617.230	617.130
4	617.086	616.840
3	616.940	616.840
2	616.795	616.549
1	616.649	616.549

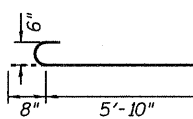


BARS s555(E) & s558(E)

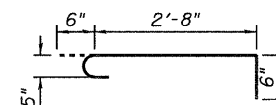


Bar	e	f
p550(E)	8'-9"	18'-6"
w550(E)	1'-10"	3'-5"

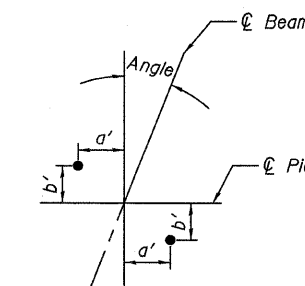
BARS p550(E) & w550(E)



BAR n551(E)



BAR s554(E)



ANCHOR BOLT LAYOUT

Beam	Angle	a'	b'
SG4	20°58'38"	12 ³ / ₈ "	4 ³ / ₄ "
I-16	21°39'15"	12 ³ / ₈ "	4 ⁷ / ₈ "
SG8	21°39'15"	12 ³ / ₈ "	4 ⁷ / ₈ "
SG9	21°39'15"	12 ³ / ₈ "	4 ⁷ / ₈ "

BILL OF MATERIAL

Bar	No.	Size	Length	Shape
d550(E)	140	#7	4'-1"	—
d551(E)	24	#7	2'-4"	—
h551(E)	42	#5	17'-1"	—
h552(E)	4	#8	17'-8"	—
n550(E)	55	#9	10'-8"	—
n551(E)	10	#6	6'-6"	—
p550(E)	5	#8	27'-3"	—
p551(E)	10	#8	18'-6"	—
s550(E)	24	#6	8'-4"	□
s552(E)	28	#5	14'-10"	□
s553(E)	62	#5	15'-0"	□
s554(E)	70	#5	3'-8"	—
s555(E)	39	#5	13'-7"	—
s556(E)	49	#5	8'-3"	—
s558(E)	12	#5	8'-9"	—
s559(E)	5	#5	6'-11"	□
t550(E)	22	#5	9'-8"	—
t551(E)	25	#8	9'-8"	—
u550(E)	20	#5	12'-5"	—
v550(E)	55	#9	20'-2"	—
v551(E)	47	#6	13'-6"	—
w550(E)	20	#5	5'-3"	—
w551(E)	20	#5	15'-5"	—
Structure Excavation	Cu Yd	127		
Concrete Structures	Cu Yd	90.8		
Reinforcement Bars, Epoxy Coated	Pound	14,550		
Furnishing Metal Shell Piles 12"x0.25"	Foot	462		
Driving Piles	Foot	462		
Test Pile Metal Shells	Each	1		

* Cut to fit in field.

NOTES

1. Work this sheet with Sheet 58.

PIER 4 DETAILS
STRUCTURE NO. 016-3241

TYLIN INTERNATIONAL	DESIGNED - MMB	REVISIONS		SHEET NO. 59	F.A.I. RTE.	SECTION	COUNTY	TOTAL SHEETS	SHEET NO.						
	CHECKED - AMD,	NAME	DATE							71 SHEETS	55	0711.2R & 1011.1BR	COOK	741	312
	DRAWN - MMB														
	CHECKED - AMD,														
	DATE - 03/25/2011														
					CONTRACT NO. 60999										
					FED. ROAD DIST. NO. 1 ILLINOIS FED. AID PROJECT										