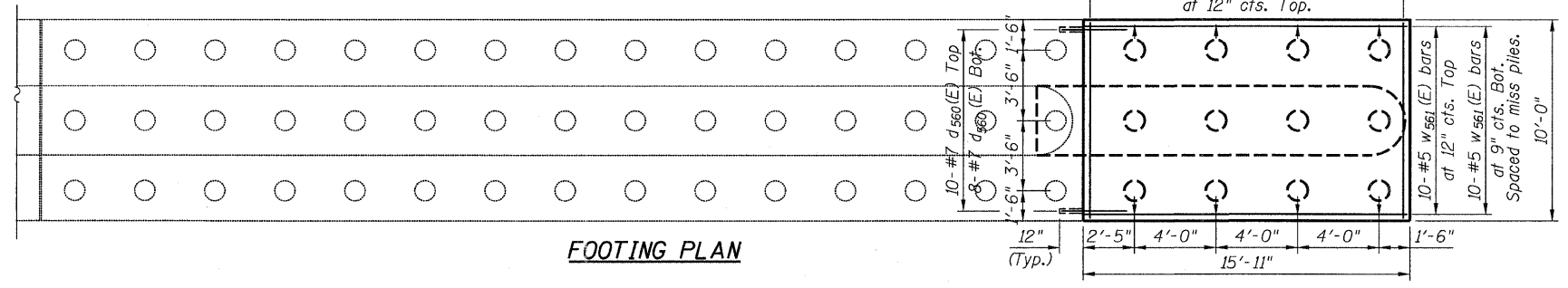
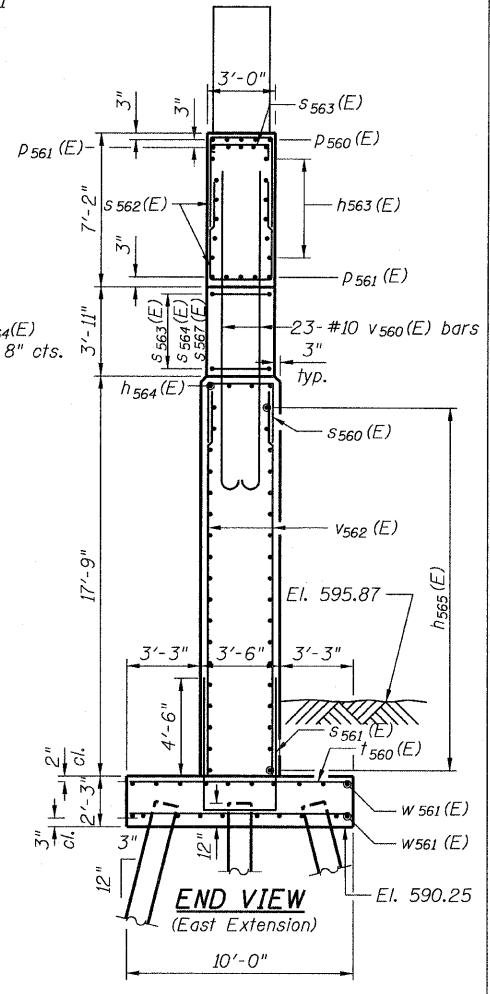
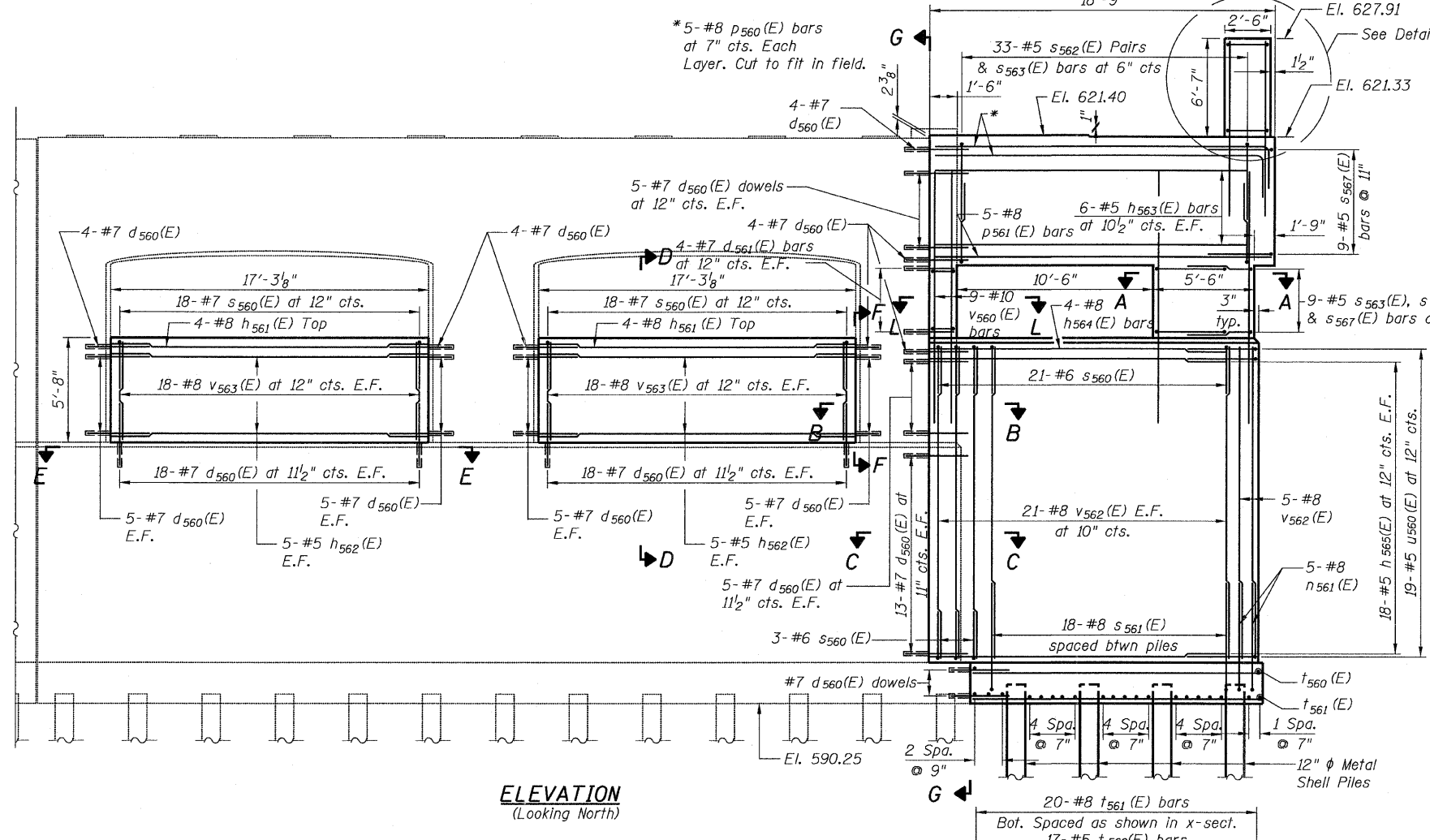
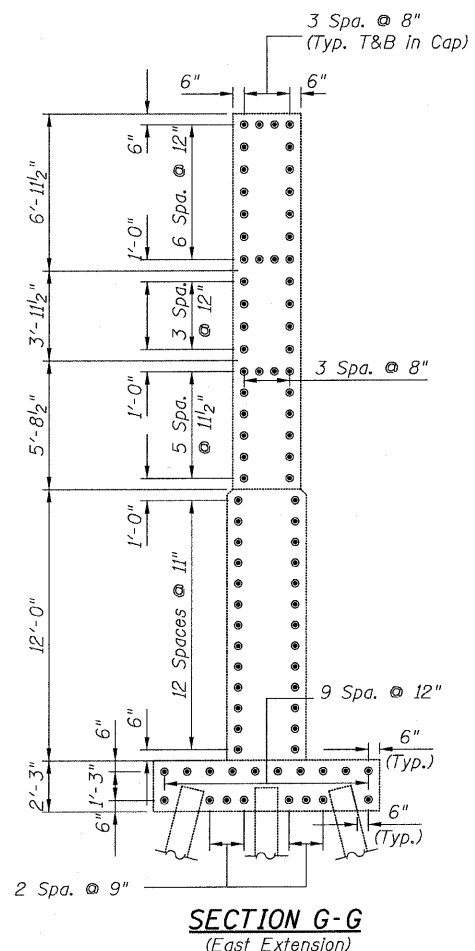
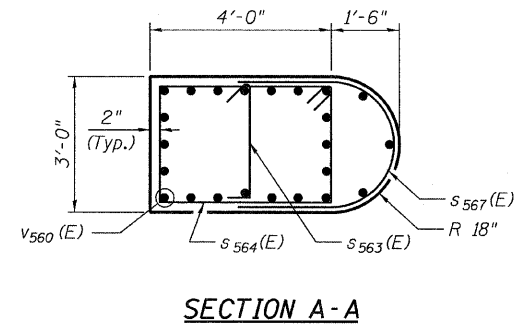
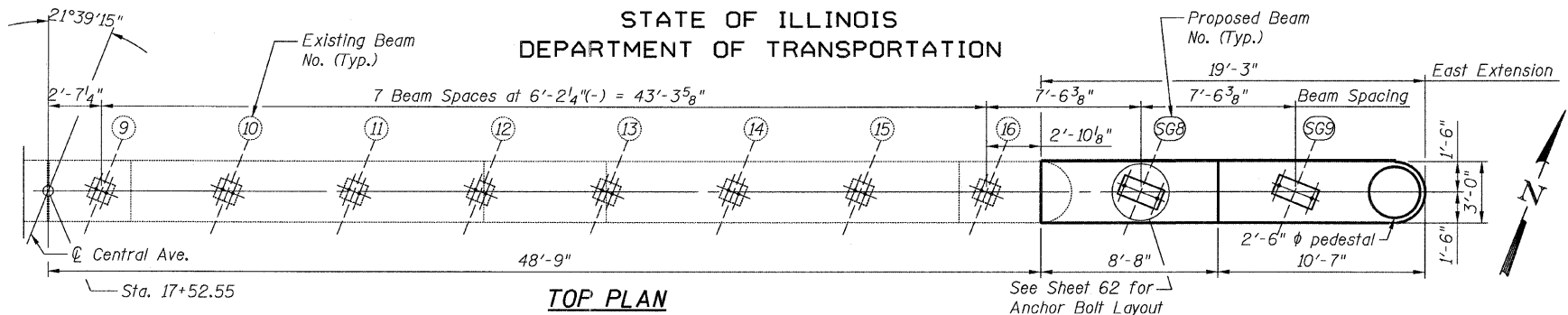


NOTES

- Epoxy grout $d_{560}(E)$ and $d_{561}(E)$ bars according to Article 584 of the Standard Specifications. Drill to miss existing reinforcement. The epoxy grout and method of application shall be approved by the Engineer. All drilling and grouting of rebar to be included with the cost of "Reinforcement Bars, Epoxy Coated."
- Space reinforcement in pier cap to miss anchor bolts.
- Space bottom reinforcement in footing to miss piles.
- Work with Sheets 61 & 62.
- For Bill of Materials, see Sheet 62.
- E.F. - denotes each face.



PILE DATA

Type: 12" ϕ x 0.25" Wall
 Nominal Required Bearing: 270 kips
 Allowable Resistance Available: 90 kips
 Estimated Length: 49 ft
 No. Production Piles: 11
 No. Test Piles: 1

- Proposed Pile
- Existing Pile

**PIER 5 WIDENING
 EAST
 STRUCTURE NO. 016-3241**

TYLIN INTERNATIONAL	DESIGNED - MMB	REVISIONS		SHEET NO. 60 71 SHEETS	F.A.I. RTE.	SECTION	COUNTY	TOTAL SHEETS	SHEET NO.	
	CHECKED - AMD,	NAME	DATE		55	0711.2R & 1011.1BR	COOK	741	313	
	DRAWN - MMB				CONTRACT NO. 60999					
	CHECKED - AMD,				FED. ROAD DIST. NO. 1 ILLINOIS FED. AID PROJECT					
	DATE - 03/25/2011									

pi:\013415\structure\1 south approach\016-3241\1552\pier5.eas 5/9/2011 9:01:58 AM