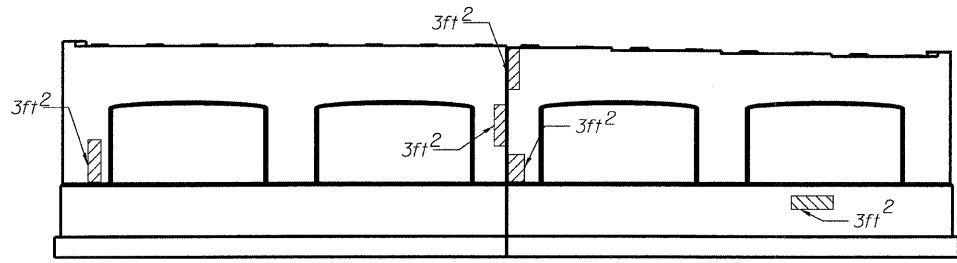
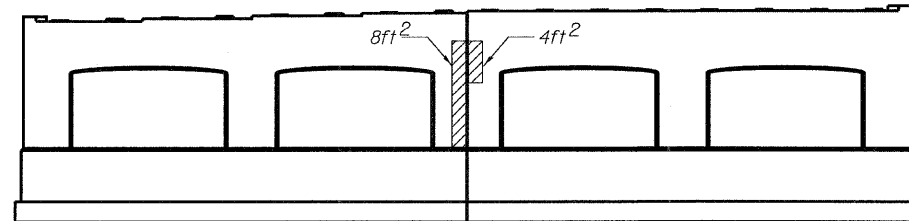


STATE OF ILLINOIS  
DEPARTMENT OF TRANSPORTATION

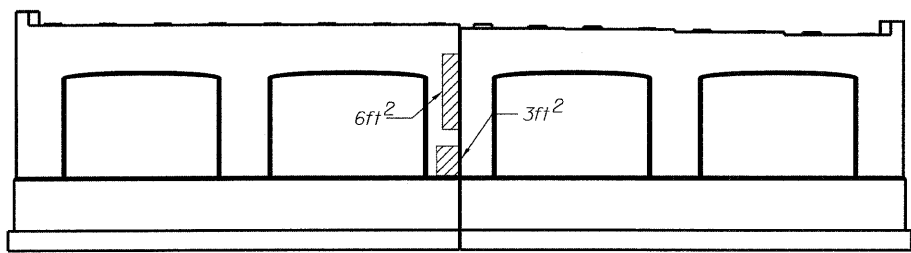


**North Elevation**  
(Looking South)

**PIER 1**

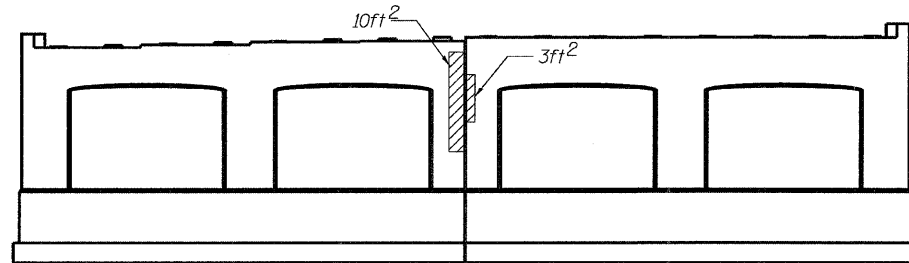


**South Elevation**  
(Looking North)

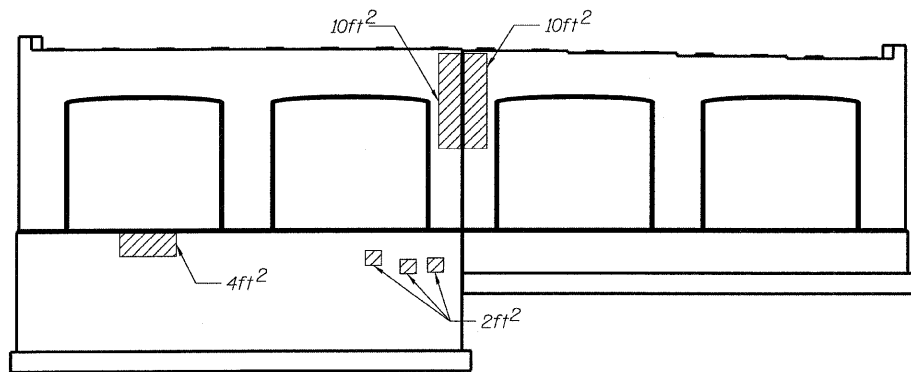


**North Elevation**  
(Looking South)

**PIER 2**

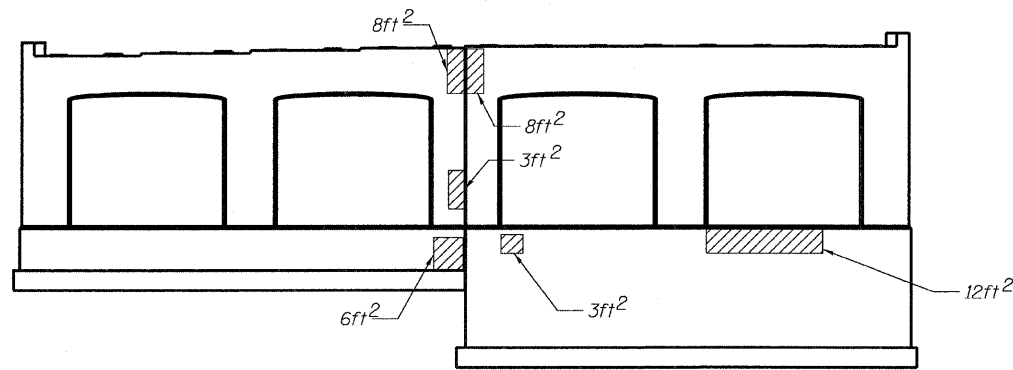


**South Elevation**  
(Looking North)

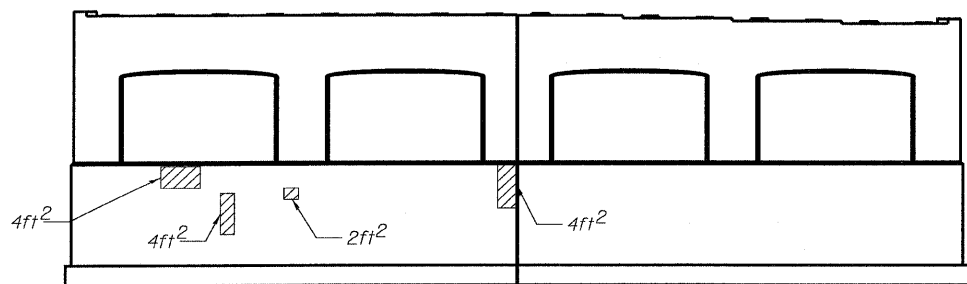


**North Elevation**  
(Looking South)

**PIER 4**

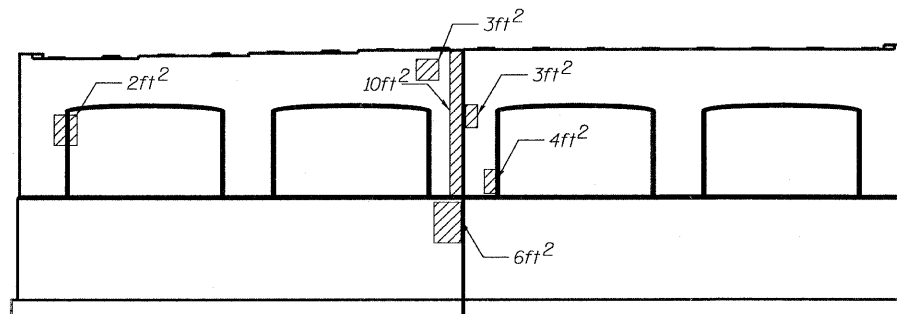


**South Elevation**  
(Looking North)



**North Elevation**  
(Looking South)

**PIER 5**



**South Elevation**  
(Looking North)

**BILL OF MATERIAL**

Item	Unit	TOTAL
Structural Repair of Concrete (Depth Less than 5 inches)	Sq. Ft.	161

**LEGEND**

Formed Concrete Repair (Depth < 5")

**SUBSTRUCTURE REPAIRS  
STRUCTURE NO. 016-3241**

**TYLIN INTERNATIONAL**

DESIGNED - JPN  
CHECKED - AMD,  
DRAWN - EKH  
CHECKED - AMD,  
DATE - 03/25/2011

REVISIONS	
NAME	DATE

SHEET NO. 63  
71 SHEETS

F.A.I. RTE.	SECTION	COUNTY	TOTAL SHEETS	SHEET NO.
55	0711.2R & 1011.1BR	COOK	741	316
CONTRACT NO. 60999				
FED. ROAD DIST. NO. 1 ILLINOIS FED. AID PROJECT				

4/28/2011 11:31:06 AM p:\01345\structure\1 South Approach\_016-3241\55\subrep.dgn