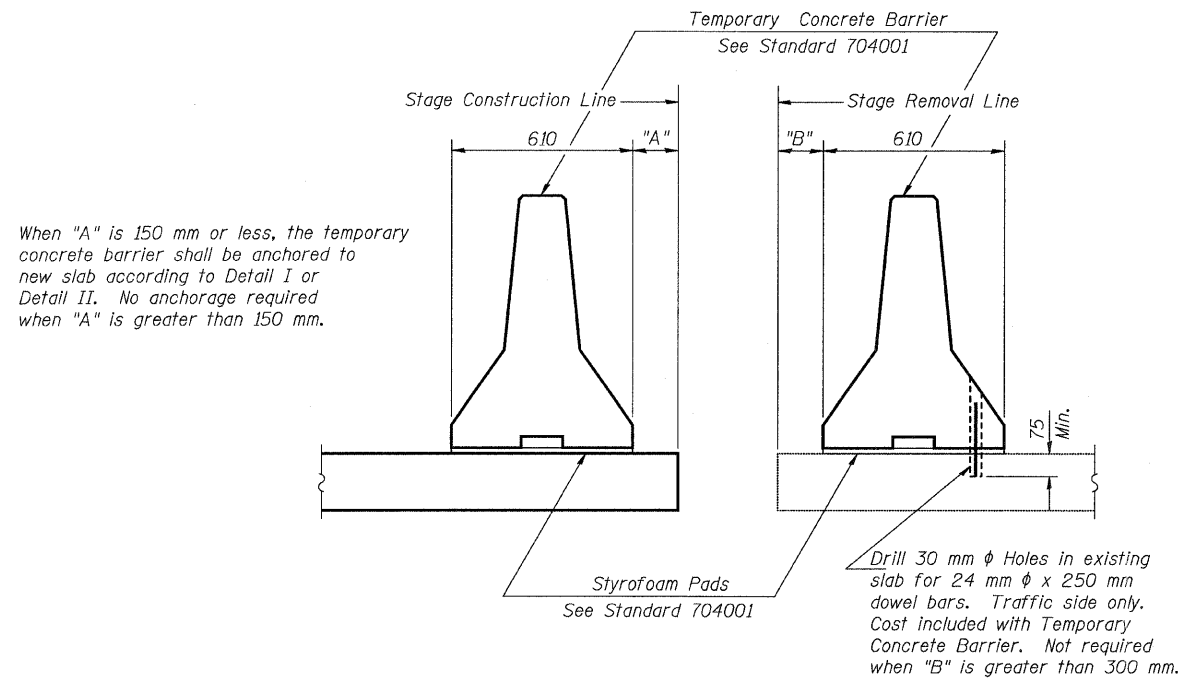


STATE OF ILLINOIS
DEPARTMENT OF TRANSPORTATION



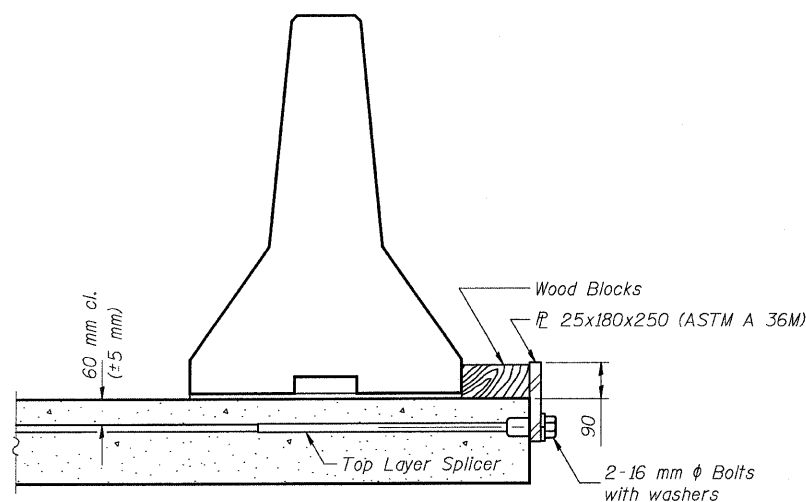
NEW SLAB

EXISTING SLAB

SECTIONS THRU SLAB

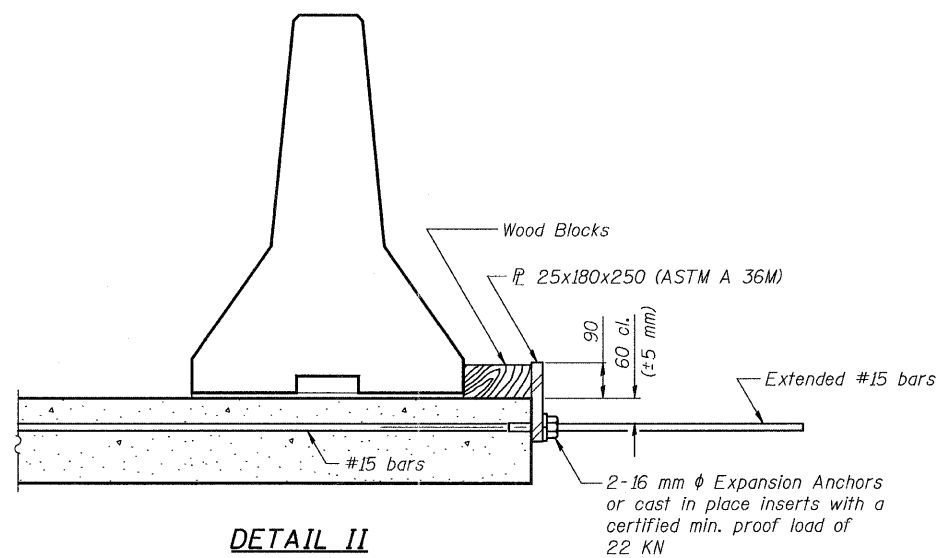
NOTES

- Detail I - With Bar Splicer or Couplers:
Connect one (1) 25x180x250 steel \bar{P} to the top layer of couplers with 2-16 mm ϕ bolts screwed to coupler at approximate \bar{C} of each 3 m barrier panel.
- Detail II - With Extended Reinforcement Bars:
Connect one (1) 25x180x250 steel \bar{P} to the concrete slab with 2-16 mm ϕ Expansion Anchors or cast in place inserts spaced between the top layer of reinforcement at approximate \bar{C} of each 3 m barrier panel.
- Cost of anchorage included with Temporary Concrete Barrier.
All dimensions are in millimeters (mm) except as noted.



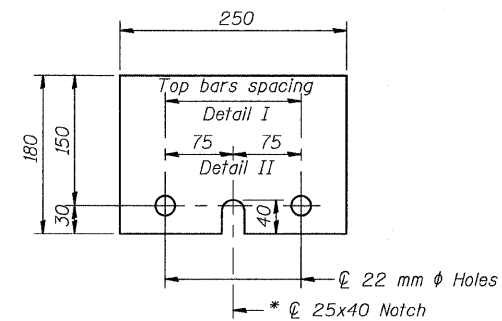
DETAIL I

The 25x180x250 Plate shall not be removed until Stage II Construction forms and reinforcement bars are in place.



DETAIL II

The 25x180x250 Plate shall not be removed until Stage II Construction forms and all reinforcement bars are in place and the concrete is ready to be placed.



\bar{P} 25x180x250

* Required only with Detail II

TEMPORARY CONCRETE BARRIER
FOR STAGE CONSTRUCTION

TEMP. CONCRETE BARRIER
CENTRAL/I-55
STRUCTURE NO. 016-0724

TYLIN INTERNATIONAL	DESIGNED -	REVISIONS		SHEET NO. 15	F.A.I RTE. 55	SECTION 0711.2R & 1011.1BR	COUNTY COOK	TOTAL SHEETS 741	SHEET NO. 339		
	CHECKED - AMD,	NAME	DATE							239 SHEETS	CONTRACT NO. 60999
	DRAWN -										
	CHECKED - AMD,										
	DATE - 03/25/2011										

4/28/2011

pi:\01345\structure\02_Central_Ave_016-0724\155c2tempbarrier.dgn

11:42:17 AM