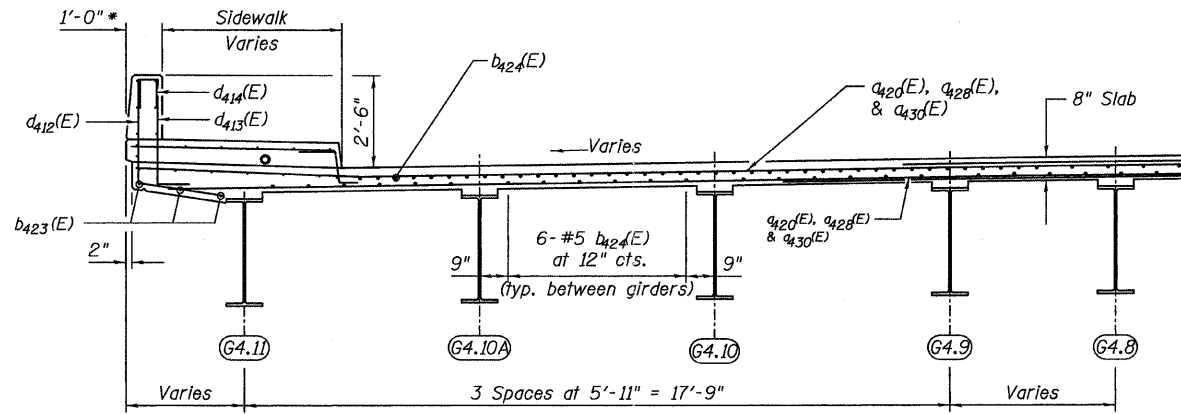


BILL OF MATERIAL

Bar	No.	Size	Length (ft)	Shape
d410 (E)	318	#6	33'-7"	
d411 (E)	88	#6	25'-11"	
d412 (E)	230	#6	23'-4"	
d413 (E)	68	#6	30'-3"	
d414 (E)	63	#6	44'-3"	
d415 (E)	15	#6	54'-6"	
d416 (E)	77	#6	29'-0"	
d417 (E)	245	#6	30'-2"	
d418 (E)	168	#6	24'-8"	
d419 (E)	46	#6	34'-0"	
d420 (E)	125	#6	25'-0"	
d421 (E)	7	#6	38'-0"	
d422 (E)	336	#6	6'-6"	
d423 (E)	10	#6	49'-0"	
d425 (E)	100	#6	51'-0"	
d426 (E)	10	#6	50'-0"	
d428 (E)	34	#6	35'-0"	
d429 (E)	8	#6	18'-6"	
d430 (E)	25	#6	10'-0"	
d439 (E)	32	#5	2'-0"	
d440 (E)	427	#5	10'-4"	
d410 (E)	559	#5	24'-6"	
d411 (E)	11	#5	44'-0"	
d412 (E)	4	#5	51'-0"	
d413 (E)	4	#5	27'-3"	
d414 (E)	450	#5	26'-10"	
d415 (E)	11	#5	43'-0"	
d416 (E)	6	#5	55'-6"	
d417 (E)	3	#5	51'-7"	
d418 (E)	3	#5	40'-1"	
d419 (E)	3	#5	38'-0"	
d420 (E)	3	#5	53'-11"	
d421 (E)	6	#5	30'-9"	
d422 (E)	48	#5	32'-2"	
d423 (E)	12	#5	28'-11"	
d424 (E)	9	#5	47'-3"	
d425 (E)	6	#5	20'-3"	
d426 (E)	9	#5	15'-0"	
d427 (E)	2	#5	14'-9"	
d428 (E)	70	#5	32'-0"	
d429 (E)	7	#6	49'-0"	
d430 (E)	62	#6	49'-0"	
d431 (E)	15	#5	28'-6"	
d432 (E)	42	#5	36'-3"	
d433 (E)	1	#5	28'-1"	
d434 (E)	2	#5	20'-4"	
d435 (E)	2	#5	22'-11"	
d436 (E)	2	#5	23'-8"	
d437 (E)	2	#5	24'-4"	
c410 (E)	18	#5	5'-8"	
c411 (E)	46	#5	2'-4"	
c412 (E)	6	#5	10'-0"	
c413 (E)	5	#5	7'-2"	
d410 (E)	399	#5	6'-10"	
d411 (E)	399	#5	5'-7"	
d412 (E)	40	#4	4'-10"	
d413 (E)	40	#6	3'-9"	
d414 (E)	10	#4	2'-0"	
d415 (E)	3	#6	7'-0"	
d416 (E)	3	#6	4'-9"	
e410 (E)	12	#5	19'-0"	
e411 (E)	1	#8	16'-0"	
e412 (E)	8	#4	16'-0"	
e413 (E)	1	#8	13'-3"	
e414 (E)	8	#4	13'-3"	
e415 (E)	4	#8	16'-8"	
e416 (E)	32	#4	16'-8"	
e417 (E)	3	#8	30'-6"	
e418 (E)	35	#4	17'-4"	
e419 (E)	3	#8	30'-11"	
e420 (E)	21	#4	17'-2"	
e421 (E)	3	#4	29'-11"	
e422 (E)	3	#4	29'-5"	
e423 (E)	7	#4	15'-3"	
e424 (E)	7	#4	15'-3"	
e425 (E)	4	#8	25'-9"	
Reinforcement Bars, Epoxy Coated	LB		134,830	
Concrete Superstructure	CU YD		488.0	
Bridge Deck Grooving	SQ YD		1,382	
Protective Coat	SQ YD		1,782	

STATE OF ILLINOIS
DEPARTMENT OF TRANSPORTATION



SECTION D-D
(Looking East)

* Measurement perpendicular to parapet

*** Bars are to be provided straight and are to be sprung and tied at required radius in field.

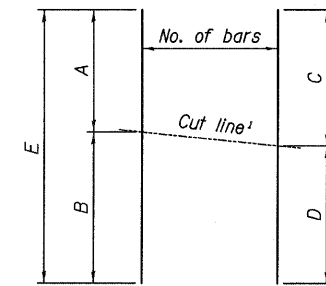
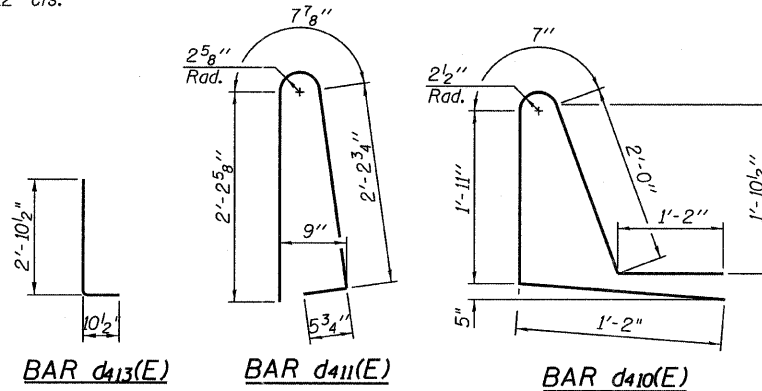
2-#5 c410(E) bars (fan) Cut bars to fit in field

** Cut bars to fit in field

PLAN NORTH SIDEWALK

- Space longitudinal bars in sidewalk at 12" cts.

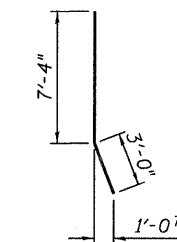
e426 (E)	4	#4	25'-2"	
e427 (E)	42	#4	16'-1"	
Reinforcement Bars, Epoxy Coated	LB		134,830	
Concrete Superstructure	CU YD		488.0	
Bridge Deck Grooving	SQ YD		1,382	
Protective Coat	SQ YD		1,782	



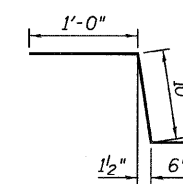
1 Make all cuts normal to bars

BAR	A	B	C	D	E	No. bars
d413 (E)	5'-6"	24'-9"	15'-1"	15'-2"	30'-3"	68
d414 (E)	5'-6"	38'-9"	22'-0"	22'-3"	44'-3"	63
d415 (E)	10'-6"	44'-0"	26'-8"	27'-10"	54'-6"	15
d419 (E)	9'-0"	25'-0"	16'-11"	17'-1"	34'-0"	46
d421 (E)	10'-0"	32'-0"	20'-2"	21'-10"	42'-0"	7
d423 (E)	12'-0"	37'-0"	23'-10"	25'-2"	49'-0"	10
d425 (E)	13'-0"	38'-0"	25'-4"	25'-8"	51'-0"	50
d426 (E)	12'-0"	38'-0"	24'-4"	25'-8"	50'-0"	10
d428 (E)	10'-0"	25'-0"	17'-3"	17'-9"	35'-0"	15
b411 (E)	6'-0"	38'-0"	21'-3"	22'-9"	44'-0"	11
b412 (E)	19'-0"	32'-0"	24'-7"	26'-5"	51'-0"	4
b413 (E)	12'-0"	30'-0"	19'-9"	22'-3"	42'-0"	4
b415 (E)	5'-4"	37'-8"	20'-9"	22'-3"	43'-0"	11
b416 (E)	16'-9"	38'-9"	26'-4"	29'-2"	55'-6"	6
b417 (E)	19'-7"	32'-0"	24'-7"	27'-0"	51'-7"	3
b418 (E)	12'-6"	27'-7"	18'-6"	21'-7"	40'-1"	3
b419 (E)	9'-0"	29'-0"	17'-0"	21'-0"	38'-0"	3
b420 (E)	12'-7"	41'-4"	24'-1"	29'-10"	53'-11"	3
b424 (E)	8'-9"	38'-6"	22'-9"	24'-6"	47'-3"	9
b425 (E)	5'-9"	14'-6"	9'-3"	11'-0"	20'-3"	3
c412 (E)	4'-5"	5'-7"	4'-11"	5'-1"	10'-0"	6
c413 (E)	2'-11"	4'-3"	3'-6"	3'-8"	7'-2"	5

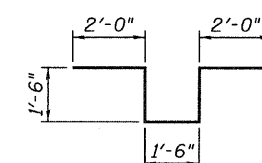
BAR CUTTING DIAGRAM



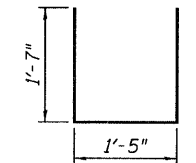
BAR c410(E)



BAR c411(E)



BAR d415(E)



BAR d416(E)

NOTES:

- For location of Section D-D, see Sheets 56 and 57.
- Work this sheet with Sheets 56, 57, 58, & 59.

CROSS SECTIONS & DETAILS
RAMP 4 FLARE
SHEET 2 OF 2
STRUCTURE NO. 016-0724

TYLIN INTERNATIONAL

DESIGNED -	AMD, MU	REVISIONS	
CHECKED -	PF	NAME	DATE
DRAWN -	MU		
CHECKED -	AMD,		
DATE -	03/25/2011		

SHEET NO. 58A	F.A.I RTE.	SECTION	COUNTY	TOTAL SHEETS	SHEET NO.
239 SHEETS	55	0711.2R & 1011.1BR	COOK	741	382A
			CONTRACT NO. 60999		
			FED. ROAD DIST. NO. 1 ILLINOIS FED. AID PROJECT		

5/10/2011

p:\01345\structure\02_Central_Ave_016-0724\15514\sec2.dgn

5/31/2011 PM