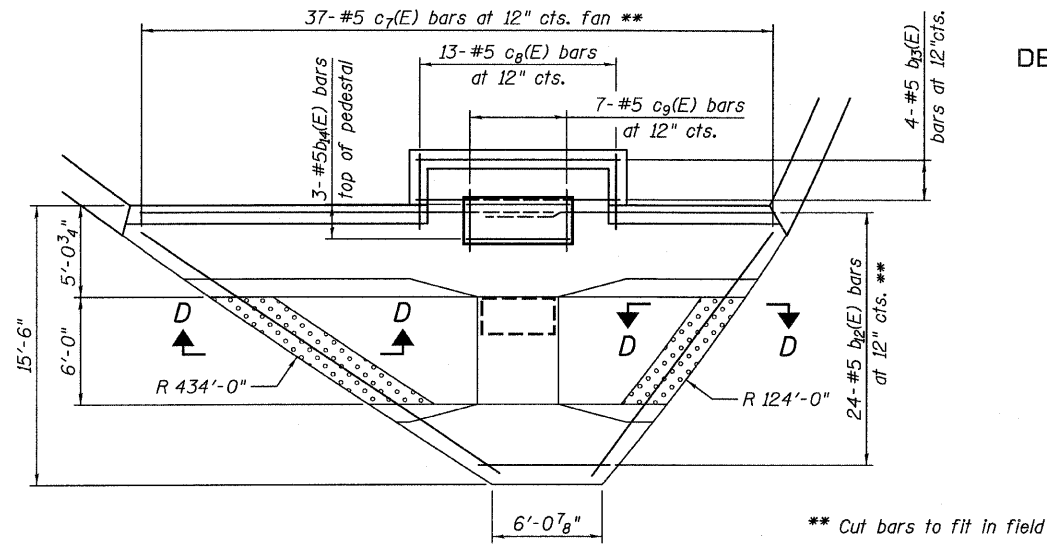
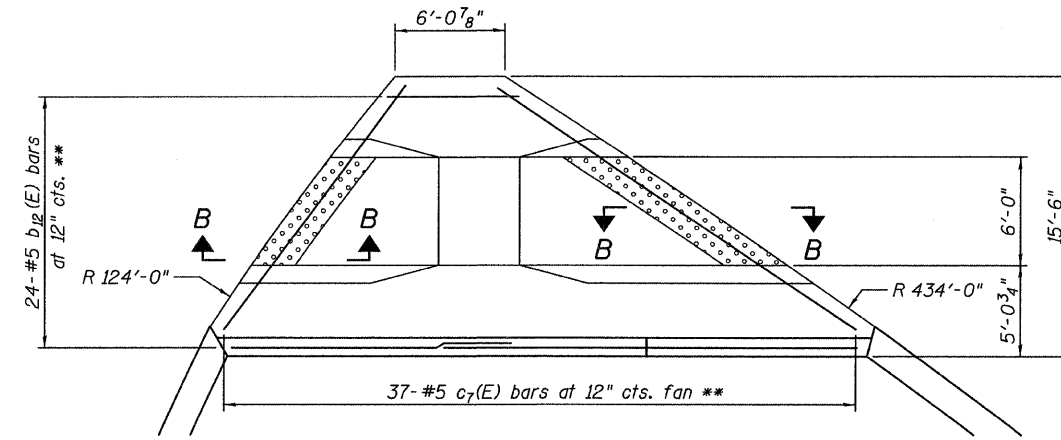


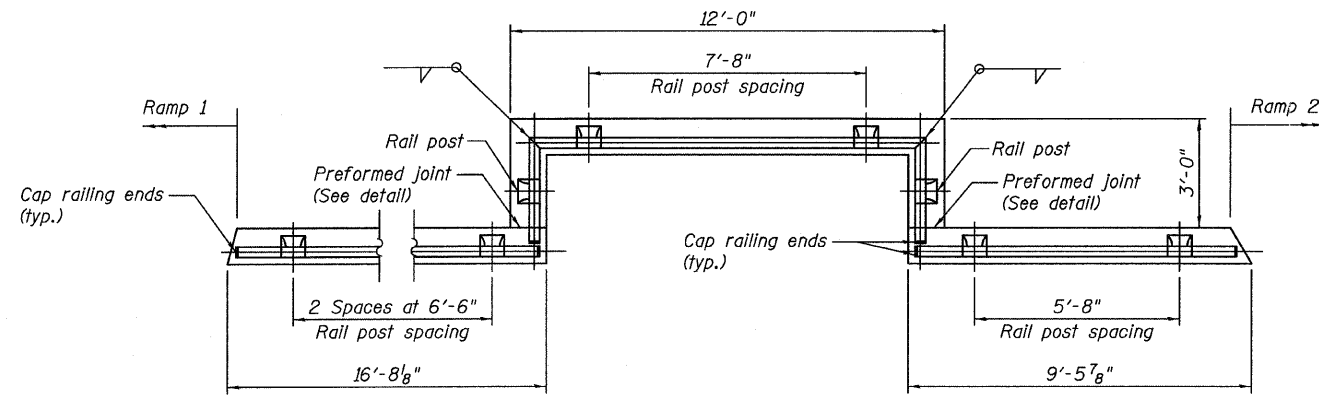
STATE OF ILLINOIS
DEPARTMENT OF TRANSPORTATION



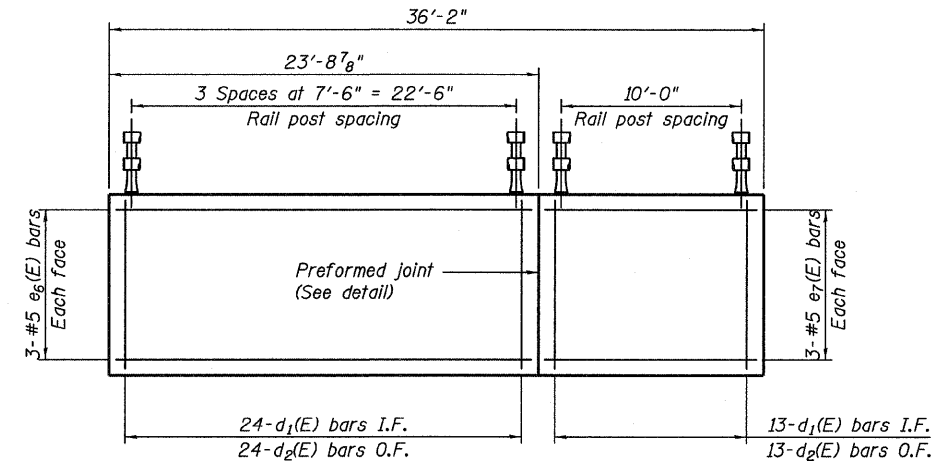
WEST SIDEWALK PLAN



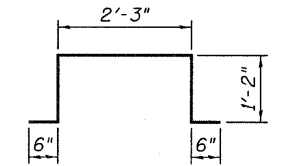
EAST SIDEWALK PLAN



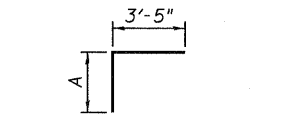
WEST PARAPET PLAN
(Rail Post Details)



INSIDE ELEVATION OF EAST PARAPET

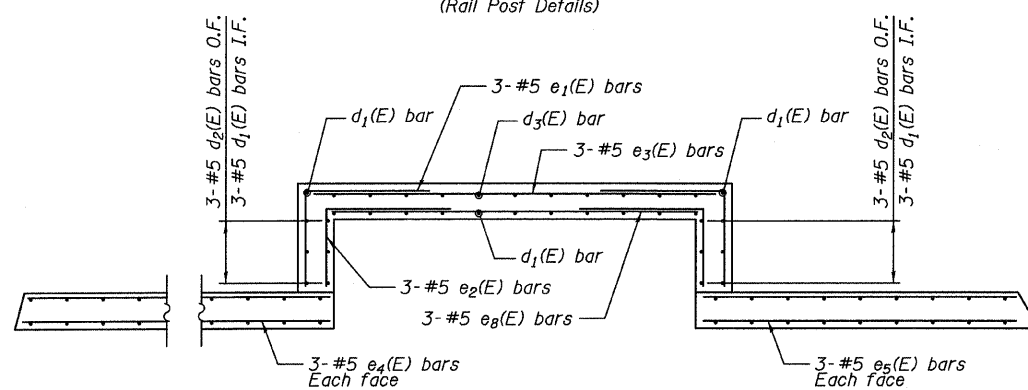


BAR c₉(E)

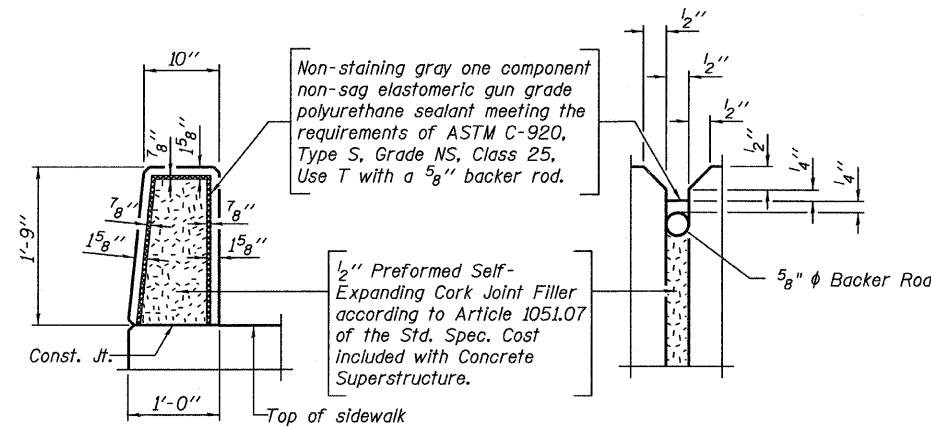


e₁(E) & e₂(E) bar

BAR	A
e ₁ (E)	2'-7 1/2"
e ₂ (E)	2'-1 1/2"



WEST PARAPET PLAN
(Reinforcement Bar Details)



PARAPET JOINT DETAILS

NOTES:

1. For locations of Traffic Signal Appurtenances, see Sheet 66.
2. For sidewalk details and Section B-B see Sheet 65.
3. Refer to Sheet 42 for Bill of Materials.

LEGEND

I.F. - Denotes inside face of parapet.
O.F. - Denotes outside face of parapet.

PARAPETS & SIDEWALKS
CENTRAL / I-55
STRUCTURE NO. 016-0724

TYLIN INTERNATIONAL	DESIGNED - JPN	REVISIONS		SHEET NO. 64	F.A.I. RTE. 55	SECTION 0711.2R & 1011.1BR	COUNTY COOK	TOTAL SHEETS 741	SHEET NO. 388
	CHECKED - AMD,	NAME	DATE						
	DRAWN - MAU								
	CHECKED - AMD,								
DATE - 03/25/2011				239 SHEETS	CONTRACT NO. 60999		FED. ROAD DIST. NO. 1 ILLINOIS FED. AID PROJECT		

5/10/2011