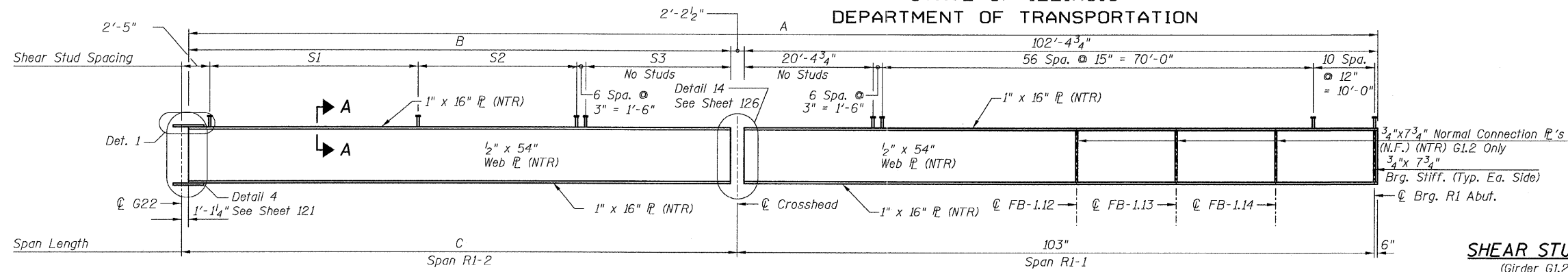


STATE OF ILLINOIS
DEPARTMENT OF TRANSPORTATION



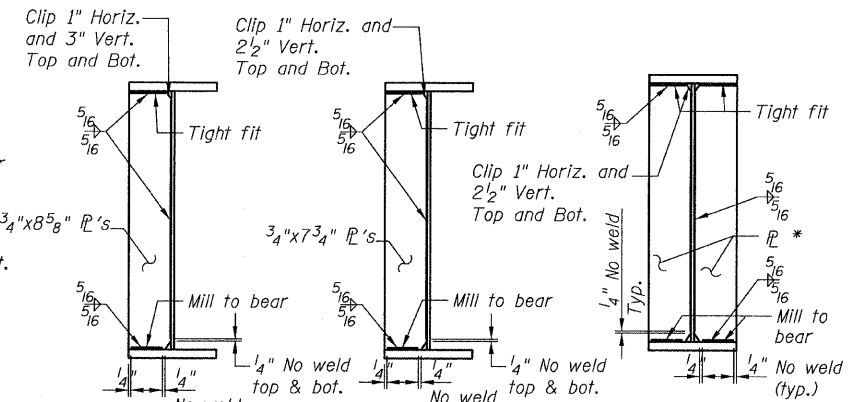
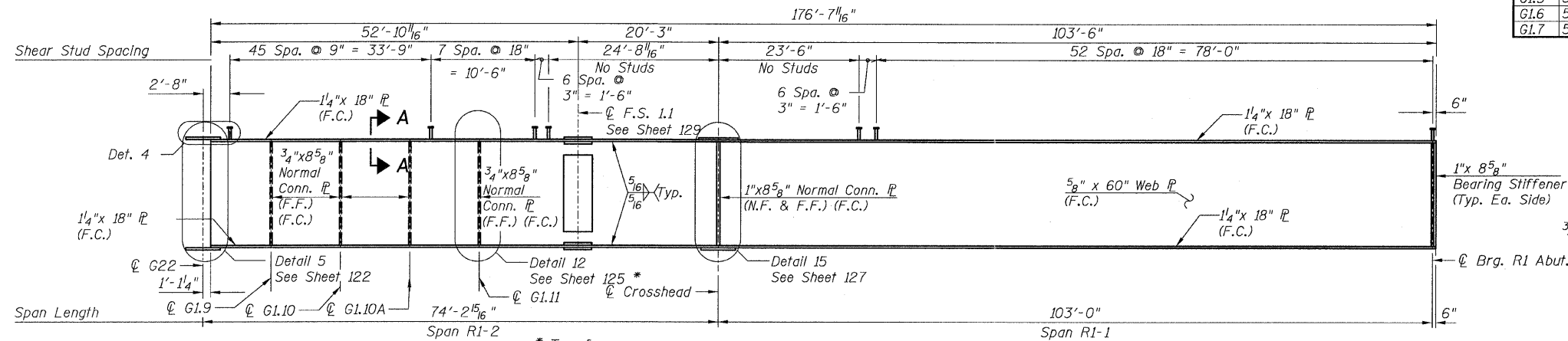
GIRDER DIMENSIONS
(Girder G1.2 thru G1.7)

	A	B	C
G1.2	192'-1 1/2"	87'-6 1/4"	89'-8 3/4"
G1.3	189'-6 9/16"	84'-11 5/16"	87'-1 1/8"
G1.4	186'-11 3/16"	82'-4 3/16"	84'-6 5/16"
G1.5	184'-4 5/8"	79'-9 3/8"	81'-11 1/8"
G1.6	181'-9 1/16"	77'-2 1/16"	79'-4 5/8"
G1.7	179'-2 5/8"	74'-7 3/8"	76'-9 1/4"

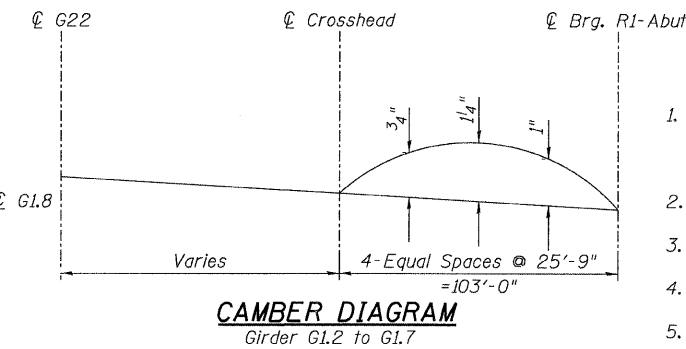
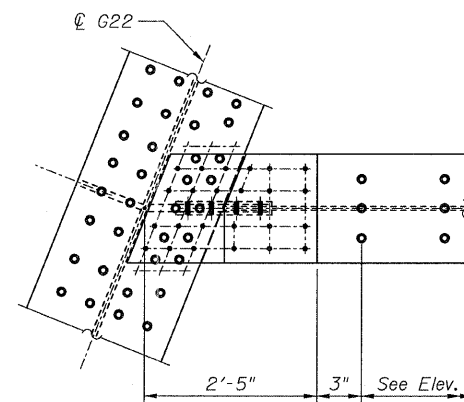
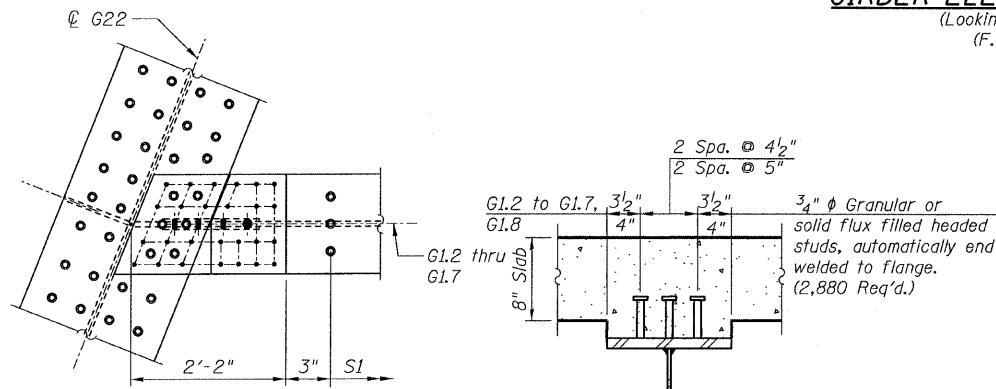
SHEAR STUD SPACINGS
(Girder G1.2 thru G1.7)

	S1	S2	S3
G1.2	51 Spa. @ 12" = 51'-0"	7 Spa. @ 15" = 8'-9"	24'-11 1/2"
G1.3	57 Spa. @ 12" = 57'-0"	3"	24'-10 9/16"
G1.4	50 Spa. @ 9" = 37'-6"	16 Spa. @ 12" = 16'-0"	26'-0 3/16"
G1.5	50 Spa. @ 9" = 37'-6"	13 Spa. @ 12" = 13'-0"	26'-5 3/8"
G1.6	50 Spa. @ 9" = 37'-6"	8 Spa. @ 15" = 10'-0"	26'-10 1/16"
G1.7	57 Spa. @ 9" = 42'-9"	2 Spa. @ 12" = 2'-0"	27'-0 5/8"

GIRDER ELEVATION - G1.2 THRU G1.7
(Looking South)



GIRDER ELEVATION - G1.8
(Looking South)
(F.C.M.)



TOP OF WEB ELEVATIONS
(For Fabrication Only)

Location	Girder	G1.8
Centerline G22		625.26
Fieldspace		624.08
Centerline Crosshead		623.70
Centerline Bearing R1-Abut.		621.88

TOP OF WEB ELEVATIONS
(For Fabrication Only)

Location	Girder	G1.2	G1.3	G1.4	G1.5	G1.6	G1.7
Centerline G22		626.06	625.96	625.84	625.71	625.52	625.39
Centerline Crosshead		624.31	624.21	624.11	624.01	623.92	623.82
Centerline Bearing R1-Abut.		622.49	622.39	622.29	622.19	622.09	621.99

NOTES:

- Load carrying components designated "NTR" shall conform to the supplemental requirements for Notch Toughness, Zone 2.
- F.C. denotes Fracture Critical material, AASHTO Zone II.
- For Field Splice details, See Sheet 129.
- N.F. denotes Near Face.
- F.F. denotes Far Face.
- Girder G1.8 does not require camber.

GIRDER ELEVATIONS 2
RAMP 1 FLARE
STRUCTURE NO. 016-0724

TYLIN INTERNATIONAL	DESIGNED - EKH, JMA, PK	REVISIONS		SHEET NO. 113	F.A.I RTE.	SECTION	COUNTY	TOTAL SHEETS	SHEET NO.							
	CHECKED - AMD,	NAME	DATE							239 SHEETS	55	0711.2R & 1011.1BR	COOK	741	437	
	DRAWN - EKH, JMA, PK															CONTRACT NO. 60999
	CHECKED - AMD,															
DATE - 03/25/2011																