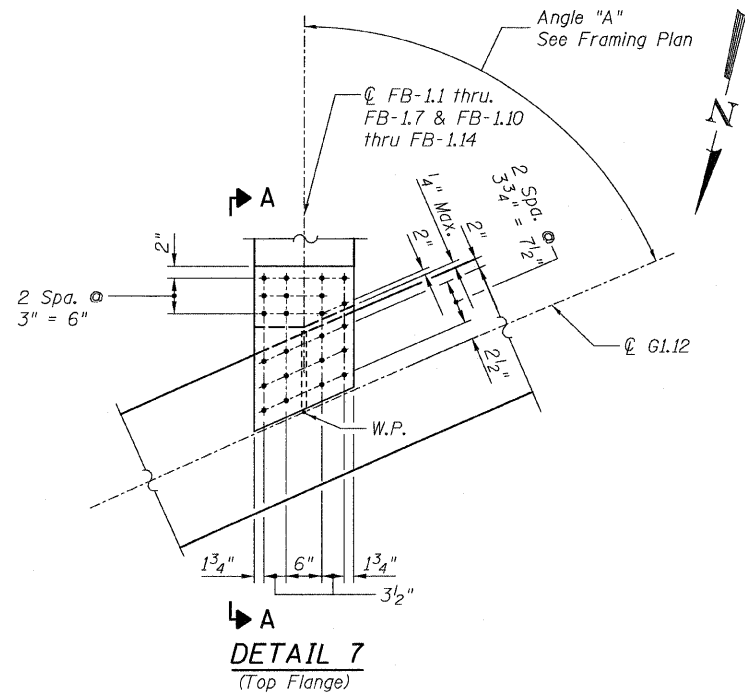
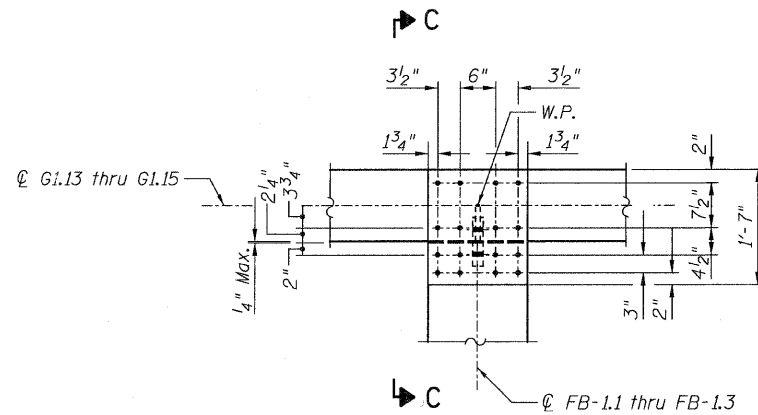


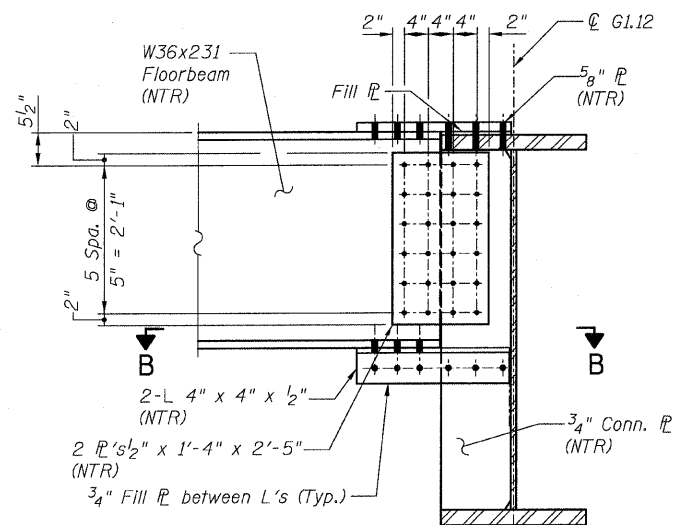
STATE OF ILLINOIS
DEPARTMENT OF TRANSPORTATION



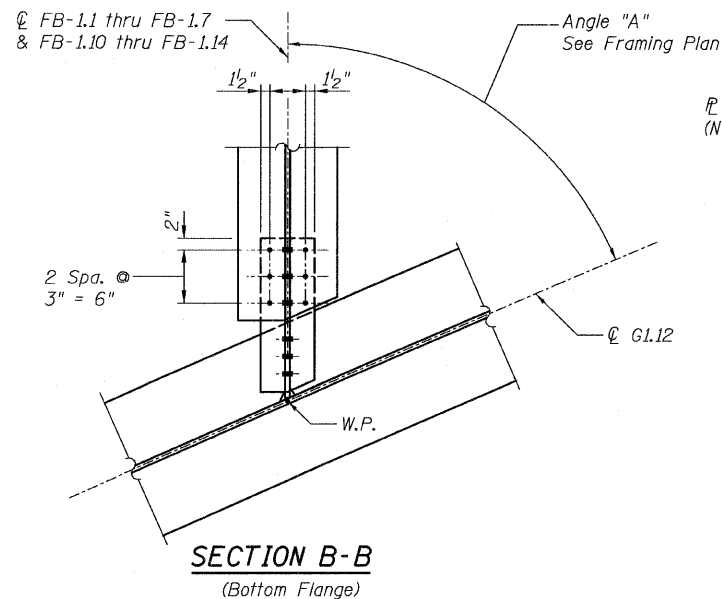
DETAIL 7
(Top Flange)



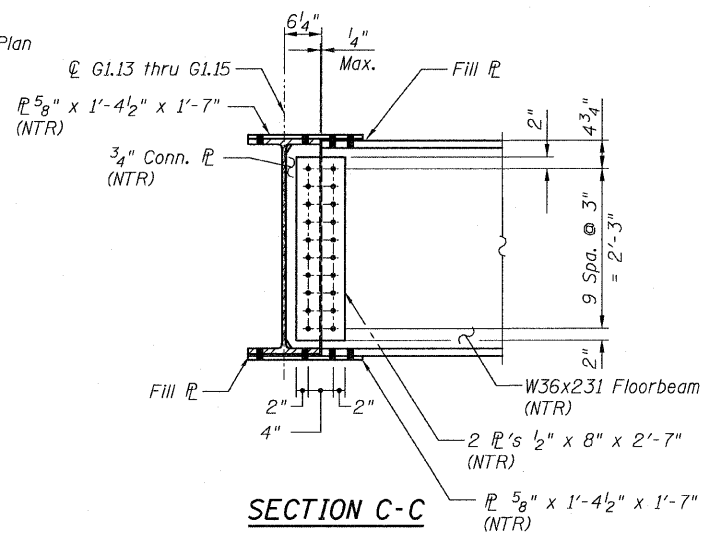
DETAIL 8
(Top Flange)
(Bot. Flange Similar)



SECTION A-A



SECTION B-B
(Bottom Flange)



SECTION C-C

NOTES:

- All steel shall be AASHTO M270 Grade 50.
- For Details 7 and 8 locations, see Sheet 94.
- Load carrying components designated "NTR" shall conform to the Supplemental Requirements for Notch Toughness, Zone 2.

CONNECTION DETAILS 7&8
RAMP 1 FLARE
STRUCTURE NO. 016-0724

TYLIN INTERNATIONAL

DESIGNED	EKH, JMA	REVISIONS	
CHECKED	AMD,	NAME	DATE
DRAWN	EKH, JMA		
CHECKED	AMD,		
DATE	03/25/2011		

SHEET NO. 123	F.A.I. RTE.	SECTION	COUNTY	TOTAL SHEETS	SHEET NO.
	55	0711.2R & 1011.1BR	COOK	741	447
239 SHEETS	CONTRACT NO. 60999				
FED. ROAD DIST. NO. 1		ILLINOIS	FED. AID PROJECT		

12:52:55 PM

p:\01345\structure\c2 Central Ave. 016-0724\1557\Framed114.dgn

4/28/2011