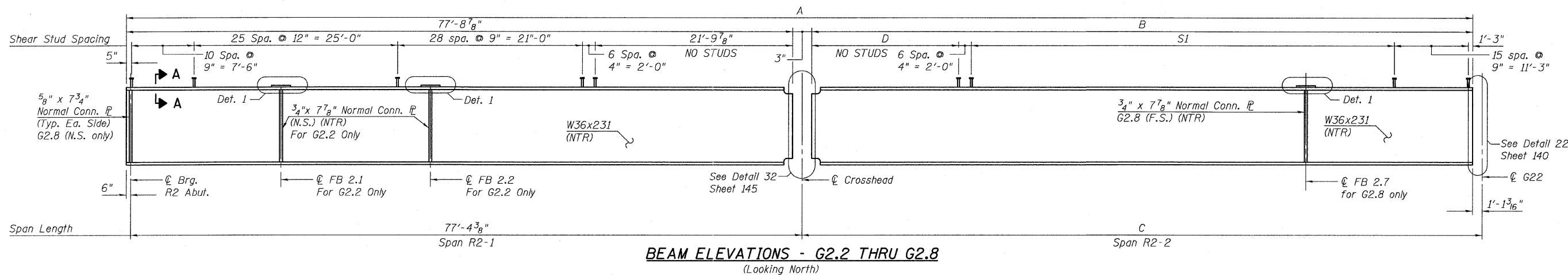
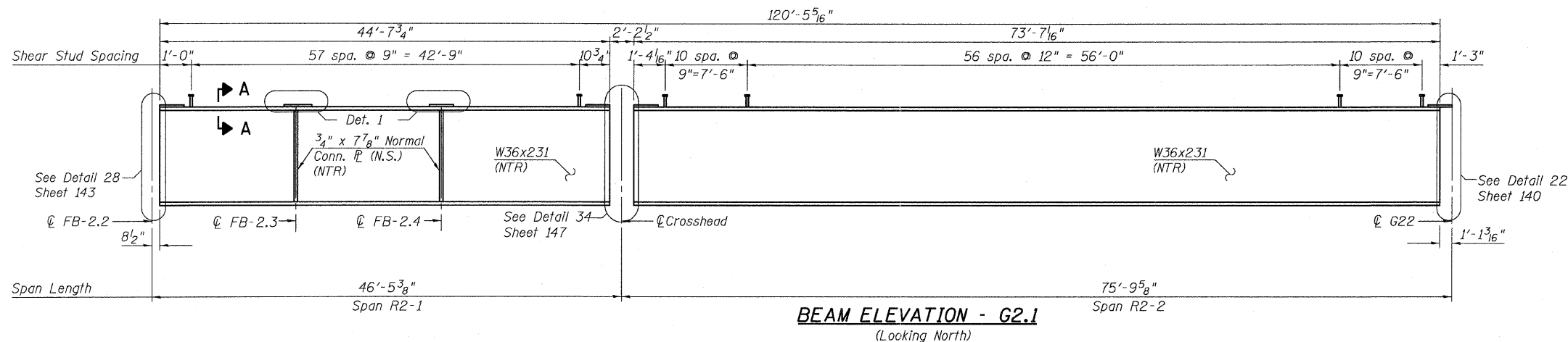


STATE OF ILLINOIS
DEPARTMENT OF TRANSPORTATION

NOTES:

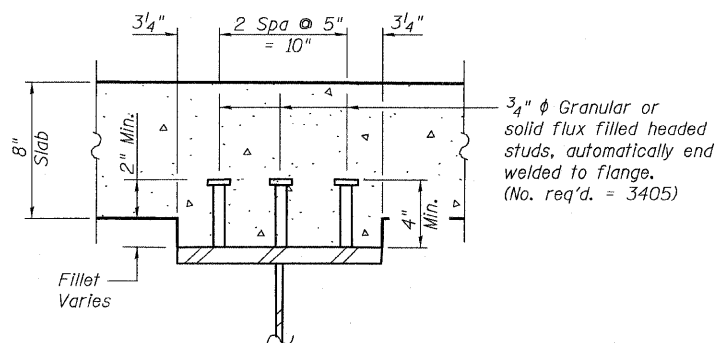
- All steel shown on this sheet shall conform to the requirements of AASHTO M270 GR 50.
- Load carrying components designated "NTR" shall conform to the Supplemental Requirements for Notch Toughness, Zone 2.
- F.S. denotes far side.
- N.S. denotes near side.



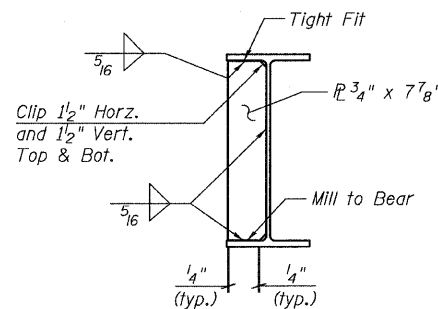
SHEAR STUD SPACING

Girder	S1	*D
G2.2	46 spa. @ 12" = 46'-0"	16'-8"
G2.3	46 spa. @ 12" = 46'-0"	19'-3"
G2.4	48 spa. @ 12" = 48'-0"	19'-10"
G2.5	50 spa. @ 12" = 50'-0"	20'-5"
G2.6	53 spa. @ 12" = 53'-0"	20'-0"
G2.7	55 spa. @ 12" = 55'-0"	20'-7"
G2.8	58 spa. @ 12" = 58'-0"	20'-2"

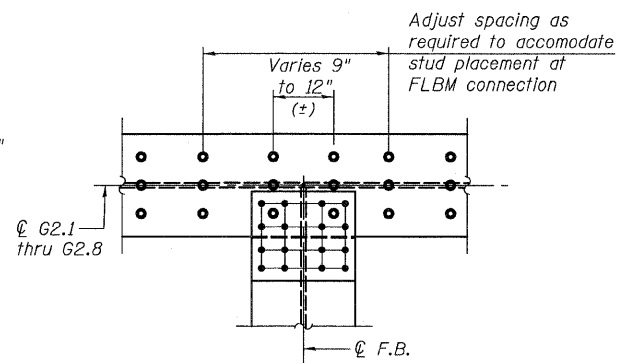
* Indicates rounded to nearest inch



SECTION A-A



CONN. PL DETAILS
(W36X231)



DETAIL 1

TABLE OF BEAM DIMENSIONS
(G2.2 THRU G2.8)

Girder	A	B	C
G2.2	155'-1 3/4"	77'-1 7/8"	78'-4 9/16"
G2.3	157'-8 1/16"	79'-8 13/16"	80'-11 1/2"
G2.4	160'-3 1/16"	82'-3 13/16"	83'-6 1/2"
G2.5	162'-10 3/8"	84'-10 3/4"	86'-1 1/16"
G2.6	165'-5 5/8"	87'-5 3/4"	88'-8 1/16"
G2.7	168'-0 9/16"	90'-0 1/16"	91'-3 3/8"
G2.8	170'-7 1/2"	92'-7 5/8"	93'-10 3/16"

GIRDER ELEVATIONS 1
RAMP 2 FLARE
STRUCTURE NO. 016-0724

<p>TYLIN INTERNATIONAL</p>	DESIGNED - JPN	REVISIONS		<p>SHEET NO. 133</p> <p>239 SHEETS</p>	F.A.I. RTE.	SECTION	COUNTY	TOTAL SHEETS	SHEET NO.	
	CHECKED - AMD,	NAME	DATE		55	0711.2R & 1011.1BR	COOK	741	457	
	DRAWN - DJR				CONTRACT NO. 60999					
	CHECKED - AMD,				FED. ROAD DIST. NO. 1 ILLINOIS FED. AID PROJECT					
	DATE - 03/25/2011									