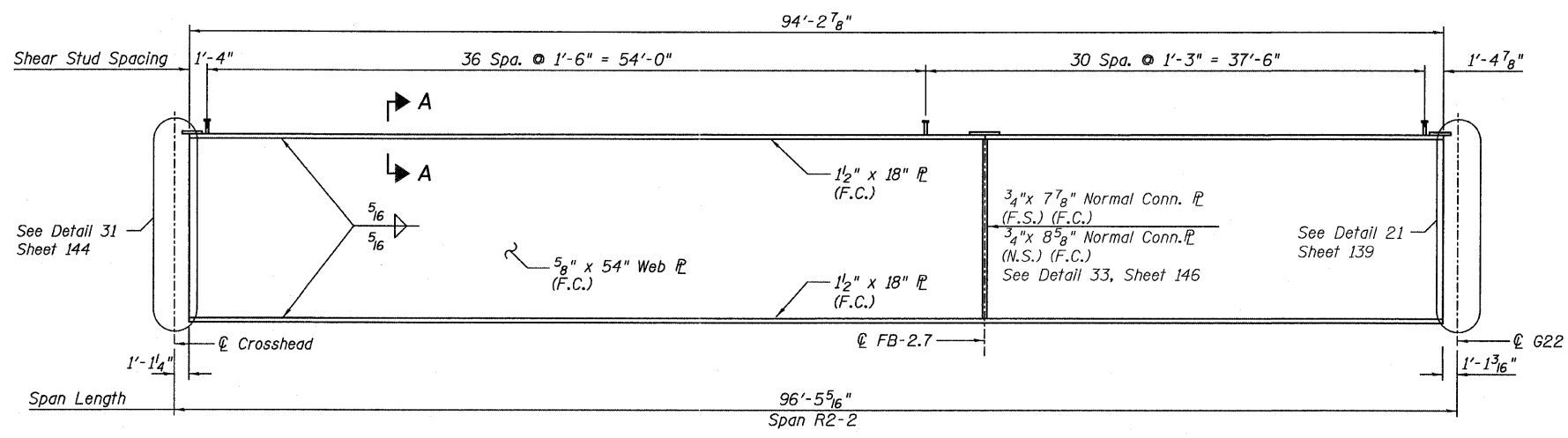
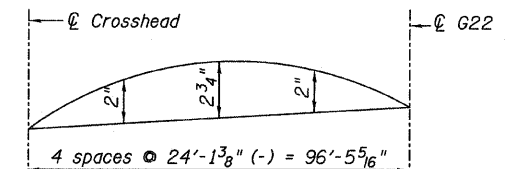


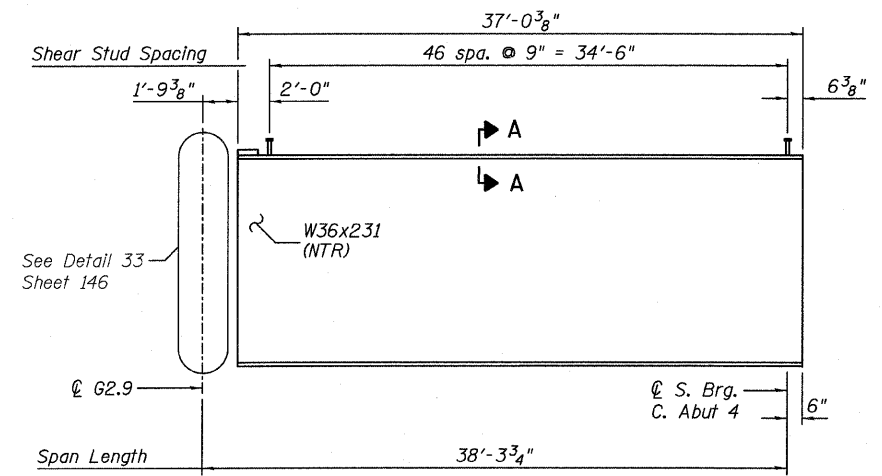
STATE OF ILLINOIS
DEPARTMENT OF TRANSPORTATION



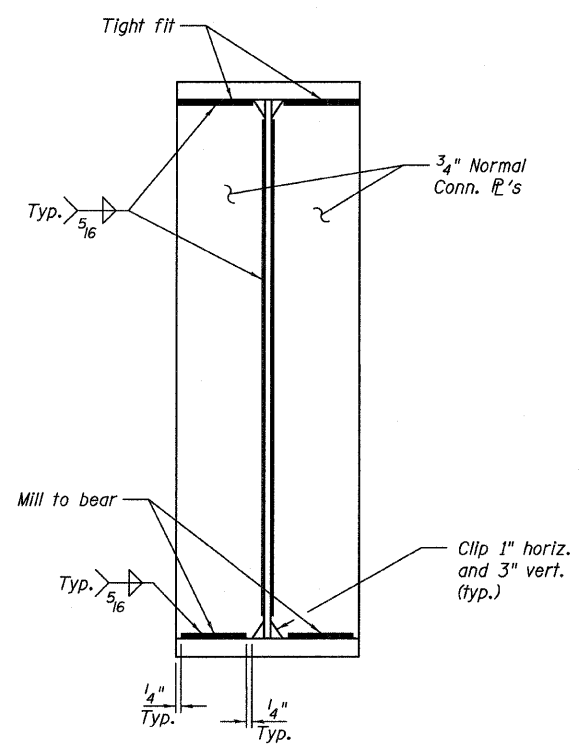
GIRDER ELEVATION - G2.9
(Looking North)



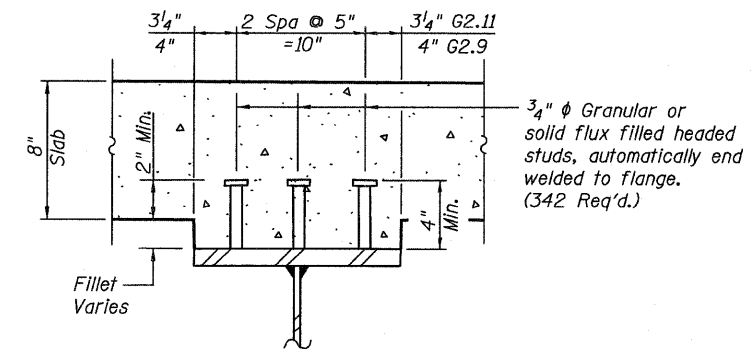
CAMBER DIAGRAM
Girder G2.9



GIRDER ELEVATION - G2.11
(Looking North)



CONNECTION P



SECTION A-A

- NOTES:**
- All steel shown on this sheet shall conform to the requirements of AASHTO M270 GR 50.
 - Load carrying components designated "NTR" shall conform to the Supplemental Requirements for Notch Toughness, Zone 2.
 - F.C. denotes Fracture Critical Material AASHTO Zone II.
 - F.S. denotes far side.
 - N.S. denotes near side.

GIRDER ELEVATIONS 2
RAMP 2 FLARE
STRUCTURE NO. 016-0724

TYLIN INTERNATIONAL	DESIGNED - JPN	REVISIONS		SHEET NO. 134	F.A.I RTE.	SECTION	COUNTY	TOTAL SHEETS	SHEET NO.			
	CHECKED - AMD,	NAME	DATE							741	458	
	DRAWN - MAU											CONTRACT NO. 60999
	CHECKED - AMD,											
DATE - 03/25/2011												

4/28/2011 12:53:10 PM p:\01345\structure\02 Central Ave. 016-0724\15521.ramedit.dgn