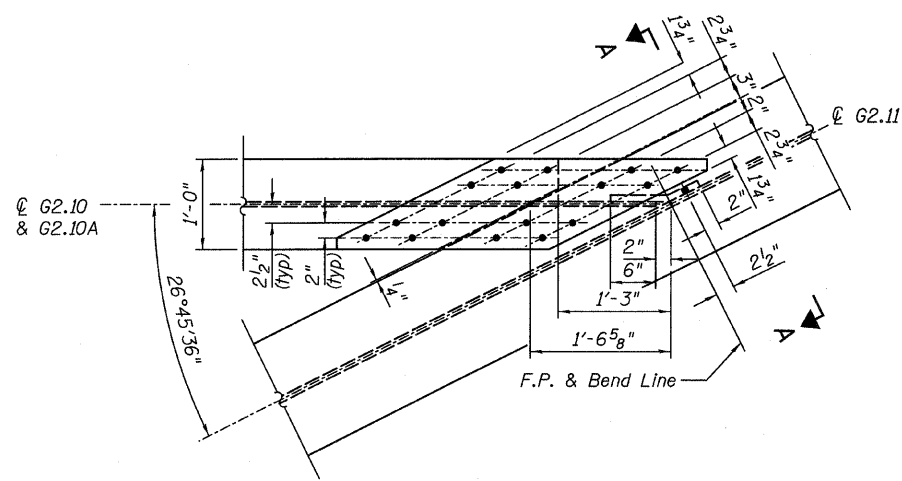
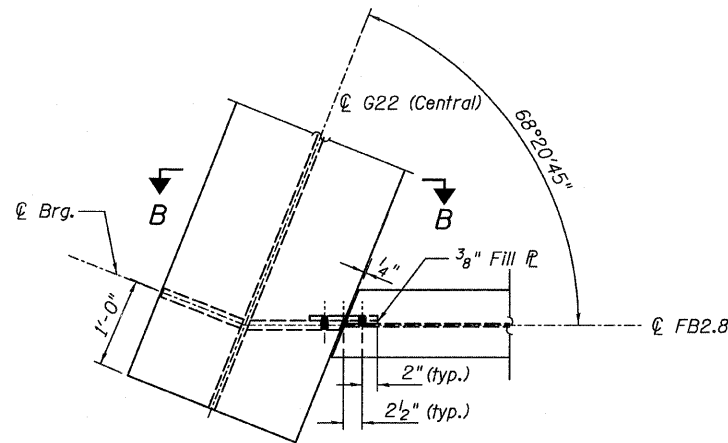


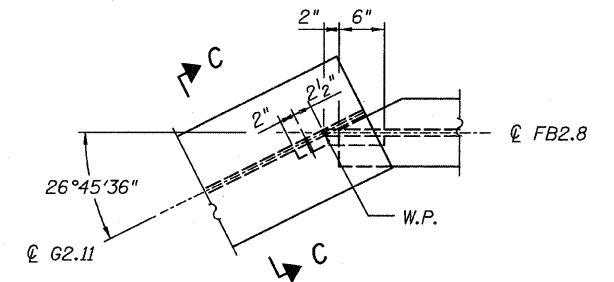
STATE OF ILLINOIS  
DEPARTMENT OF TRANSPORTATION



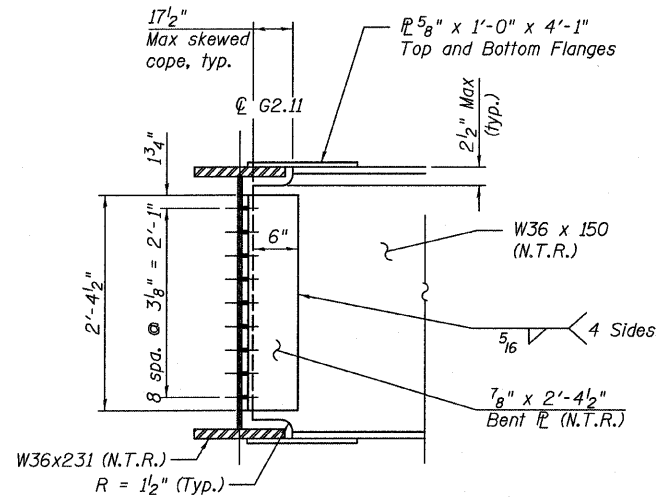
**DETAIL 24A**  
(Top Flange)  
(Bottom flange similar)



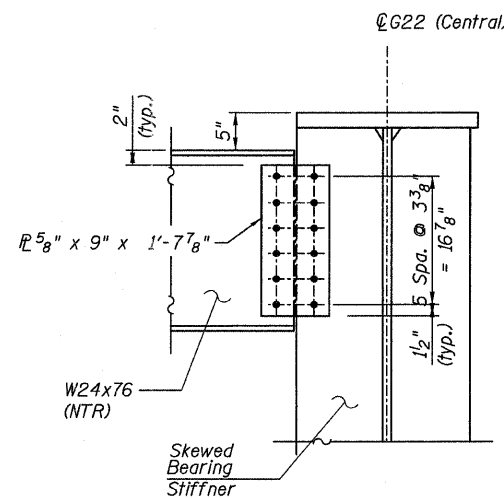
**DETAIL 24B**  
(Top Flange)



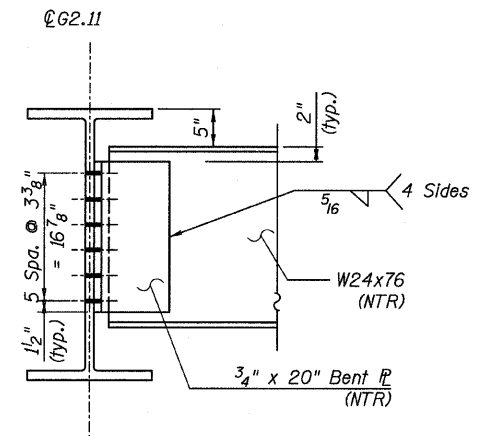
**DETAIL 24C**  
(Top Flange)



**SECTION A-A**



**SECTION B-B**



**SECTION C-C**

**NOTES:**

- All steel shall be AASHTO M 270 Grade 50.
- Load carrying components designated "N.T.R." shall conform to the supplemental requirements for Notch Toughness, Zone 2.

**CONNECTION DETAIL 24**  
**RAMP 2 FLARE**  
**STRUCTURE NO. 016-0724**

<b>TYLIN INTERNATIONAL</b>	DESIGNED - JPN	REVISIONS		SHEET NO. 141	F.A.I RTE. 55	SECTION 0711.2R & 1011.1BR	COUNTY COOK	TOTAL SHEETS 741	SHEET NO. 465
	CHECKED - AMD,	NAME	DATE						
	DRAWN - MAU								
	CHECKED - AMD,								
	DATE - 03/25/2011								
				239 SHEETS	CONTRACT NO. 60999				
				FED. ROAD DIST. NO. 1 ILLINOIS FED. AID PROJECT					