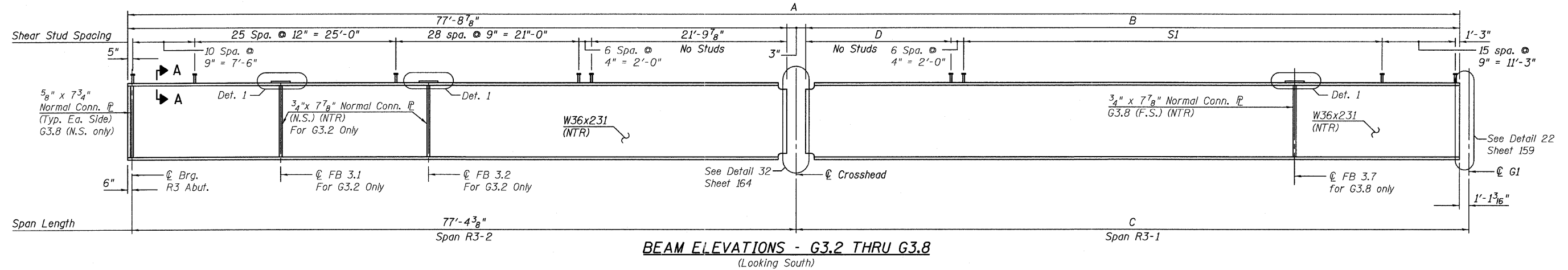
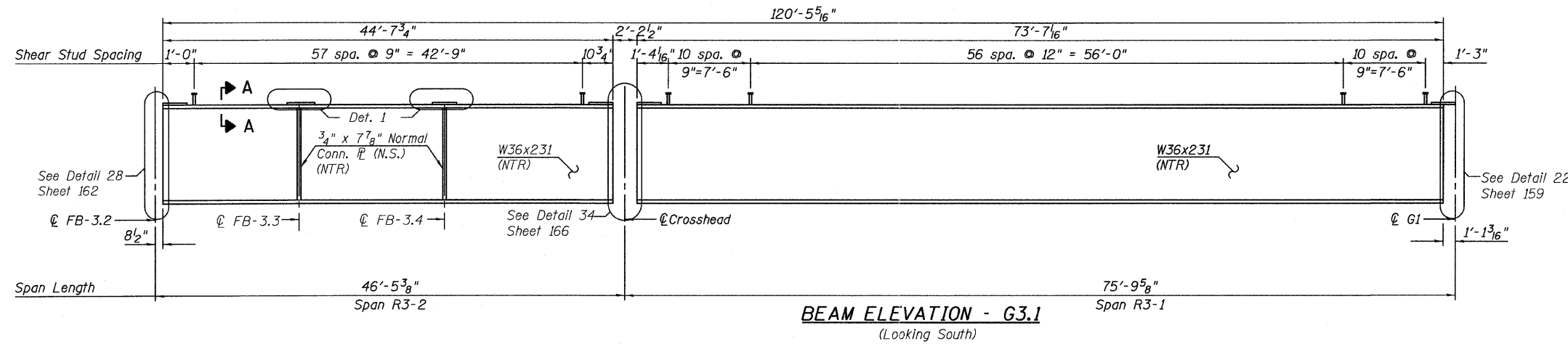


STATE OF ILLINOIS  
DEPARTMENT OF TRANSPORTATION

**NOTES:**

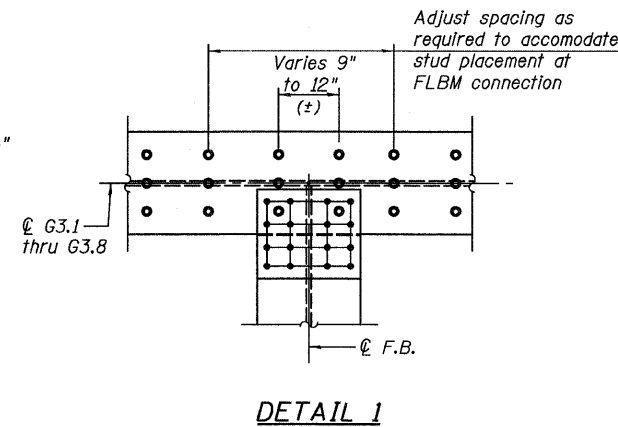
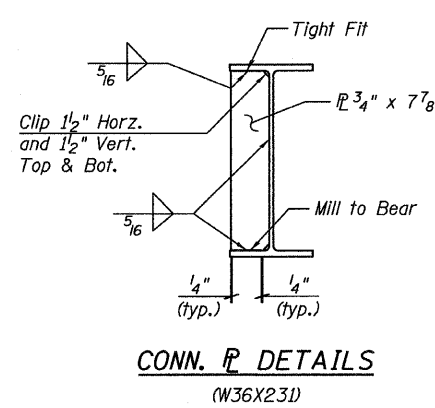
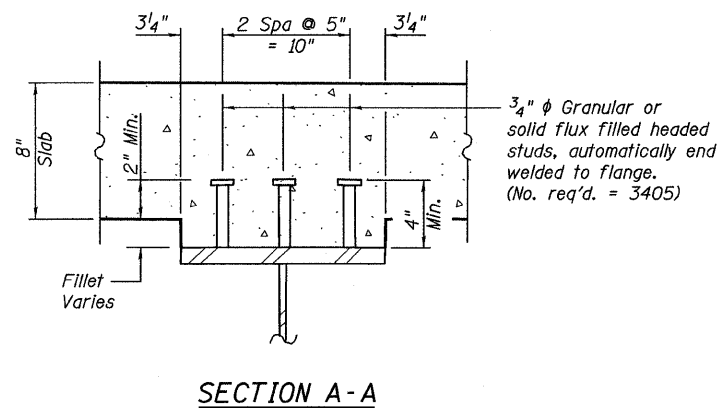
- All steel shown on this sheet shall conform to the requirements of AASHTO M270 GR 50.
- Load carrying components designated "NTR" shall conform to the Supplemental Requirements for Notch Toughness, Zone 2.
- F.S. denotes far side.
- N.S. denotes near side.



**SHEAR STUD SPACING**

Girder	S1	*D
G3.2	46 spa. @ 12" = 46'-0"	16'-8"
G3.3	46 spa. @ 12" = 46'-0"	19'-3"
G3.4	48 spa. @ 12" = 48'-0"	19'-10"
G3.5	50 spa. @ 12" = 50'-0"	20'-5"
G3.6	53 spa. @ 12" = 53'-0"	20'-0"
G3.7	55 spa. @ 12" = 55'-0"	20'-7"
G3.8	58 spa. @ 12" = 58'-0"	20'-2"

\* Indicates rounded to nearest inch



**TABLE OF BEAM DIMENSIONS  
(G3.2 THRU G3.8)**

Girder	A	B	C
G3.2	155'-1 1/16"	77'-1 1/16"	78'-4 9/16"
G3.3	157'-8 5/8"	79'-8 3/4"	80'-11 1/2"
G3.4	160'-3 5/8"	82'-3 3/4"	83'-6 1/2"
G3.5	162'-10 9/16"	84'-10 1/16"	86'-1 1/16"
G3.6	165'-5 9/16"	87'-5 1/16"	88'-8 7/16"
G3.7	168'-0 1/2"	90'-0 5/8"	91'-3 3/8"
G3.8	170'-7 1/16"	92'-7 3/16"	93'-10 9/16"

**GIRDER ELEVATIONS 1  
RAMP 3 FLARE  
STRUCTURE NO. 016-0724**

<b>TYLIN INTERNATIONAL</b>	DESIGNED - JPN	REVISIONS		SHEET NO. 152	F.A.I RTE.	SECTION	COUNTY	TOTAL SHEETS	SHEET NO.	
	CHECKED - AMD,	NAME	DATE		55	0711.2R & 1011.1BR	COOK	741	476	
	DRAWN - DJR				239 SHEETS	CONTRACT NO. 60999				
	CHECKED - AMD,				FED. ROAD DIST. NO. 1 ILLINOIS FED. AID PROJECT					
	DATE - 03/25/2011									

5/10/2011 3:04:15 PM p:\01345\Structure\02\_Central\_Ave\_016-0724\155131.rvt.dgn