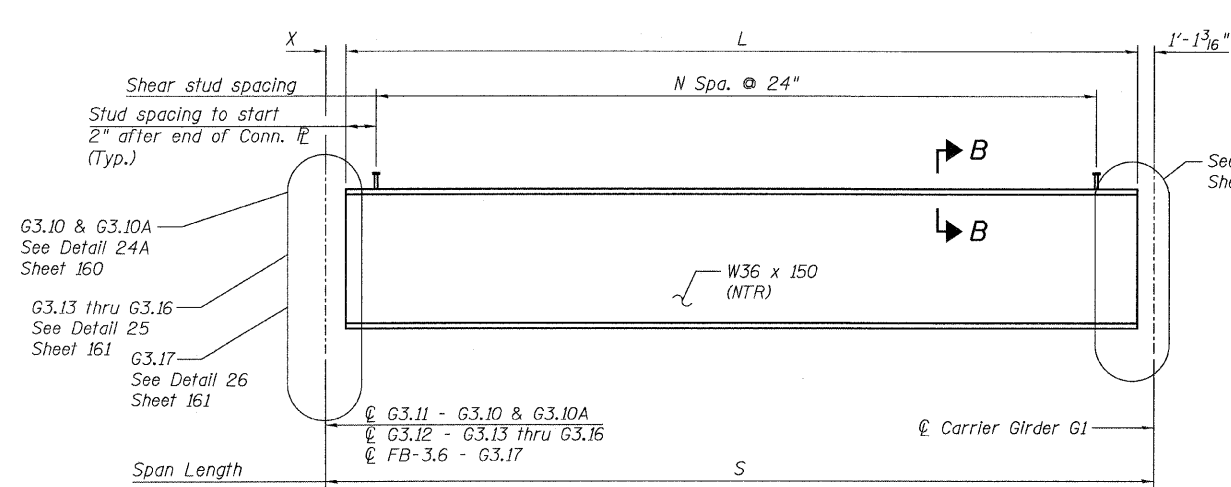
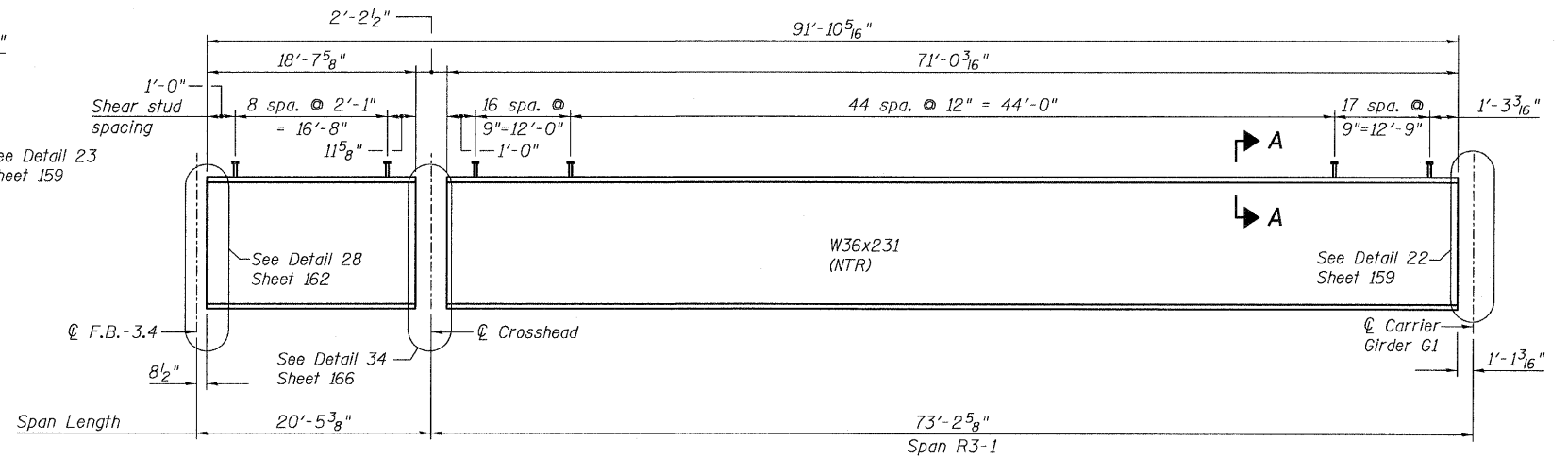


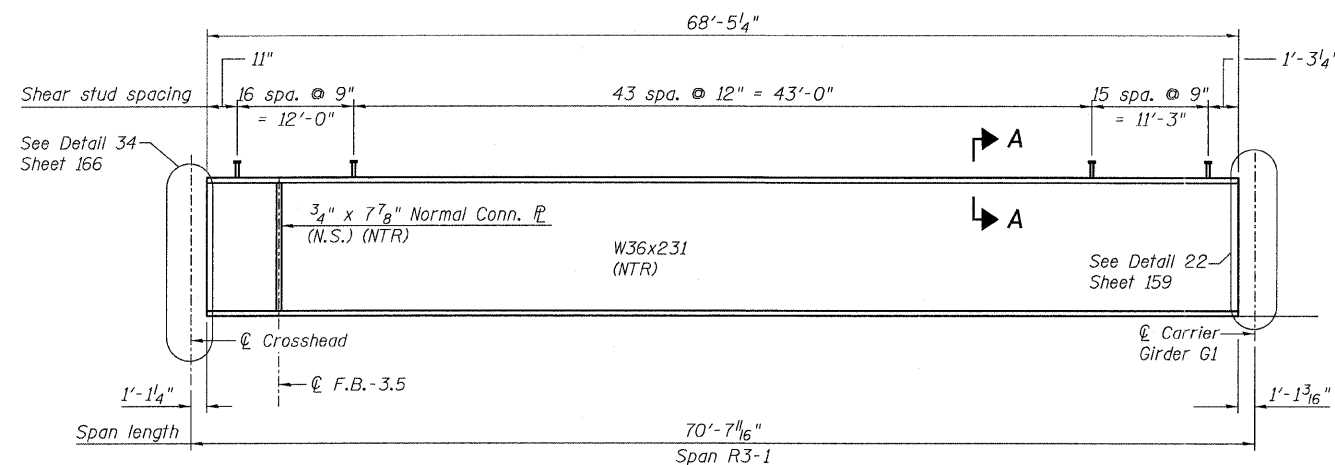
STATE OF ILLINOIS
DEPARTMENT OF TRANSPORTATION



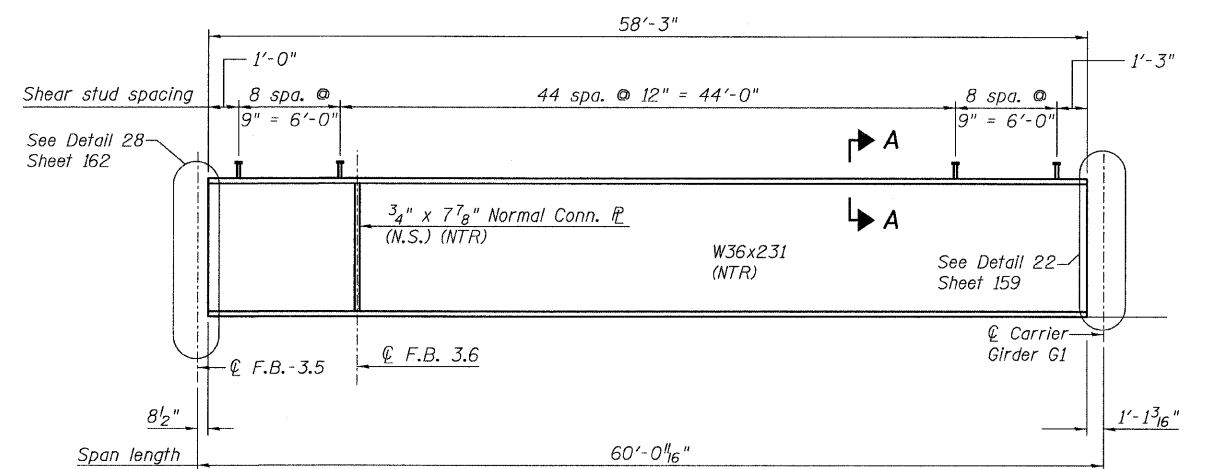
GIRDER ELEVATIONS - G3.10, G3.10A & G3.13 THRU G3.17
(Looking South)



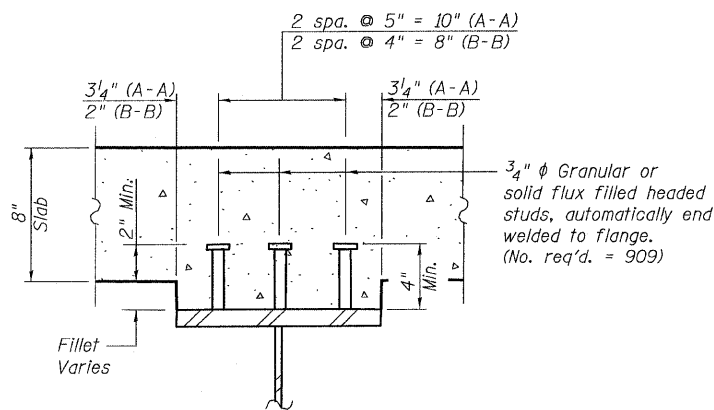
GIRDER ELEVATION - G3.20
(Looking South)



GIRDER ELEVATION - G3.19
(Looking South)



GIRDER ELEVATION - G3.18
(Looking South)



SECTION A-A & B-B

TABLE OF GIRDER VALUES

Girder	L	S	X	N
G3.10	26'-10 ¹³ / ₁₆ "	29'-6 ⁵ / ₈ "	1'-6 ⁵ / ₈ "	12
G3.10A	16'-7 ¹ / ₁₆ "	19'-2 ⁷ / ₈ "	1'-6 ⁵ / ₈ "	6
G3.13	5'-9"	8'-4 ¹ / ₁₆ "	1'-6 ⁵ / ₈ "	1
G3.14	15'-0 ¹ / ₁₆ "	17'-9"	1'-7 ³ / ₄ "	6
G3.15	25'-0 ⁹ / ₁₆ "	27'-10 ¹³ / ₁₆ "	1'-9 ¹ / ₁₆ "	11
G3.16	36'-0 ⁵ / ₁₆ "	39'-0 ⁵ / ₁₆ "	1'-10 ¹³ / ₁₆ "	16
G3.17	45'-1 ¹ / ₁₆ "	46'-10 ³ / ₄ "	8 ¹ / ₂ "	21

NOTES:

- All steel shown on this sheet shall conform to the requirements of AASHTO M270 GR 50.
- Load carrying components designated "NTR" shall conform to the Supplemental Requirements for Notch Toughness, Zone 2.
- For Connection Plate Detail see "Girder Elevations 1" Sheet 152.
- N.S. denotes near side.

**GIRDER ELEVATIONS 4
RAMP 3 FLARE
STRUCTURE NO. 016-0724**

TYLIN INTERNATIONAL	DESIGNED - JPN	REVISIONS	
	CHECKED - AMD,	NAME	DATE
	DRAWN - MAU		
	CHECKED - AMD,		
	DATE - 03/25/2011		

SHEET NO. 155	F.A.I RTE.	SECTION	COUNTY	TOTAL SHEETS	SHEET NO.
	55	0711.2R & 1011.1BR	COOK	741	479
239 SHEETS		CONTRACT NO. 60999			
FED. ROAD DIST. NO. 1 ILLINOIS FED. AID PROJECT					