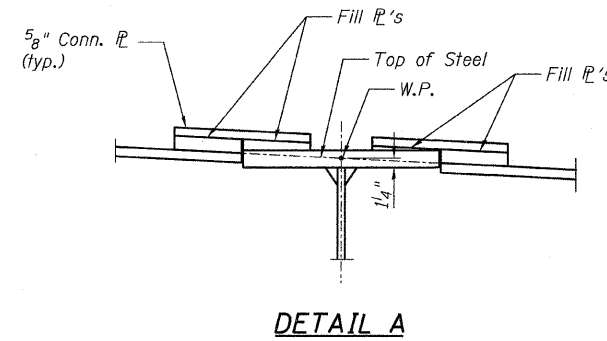
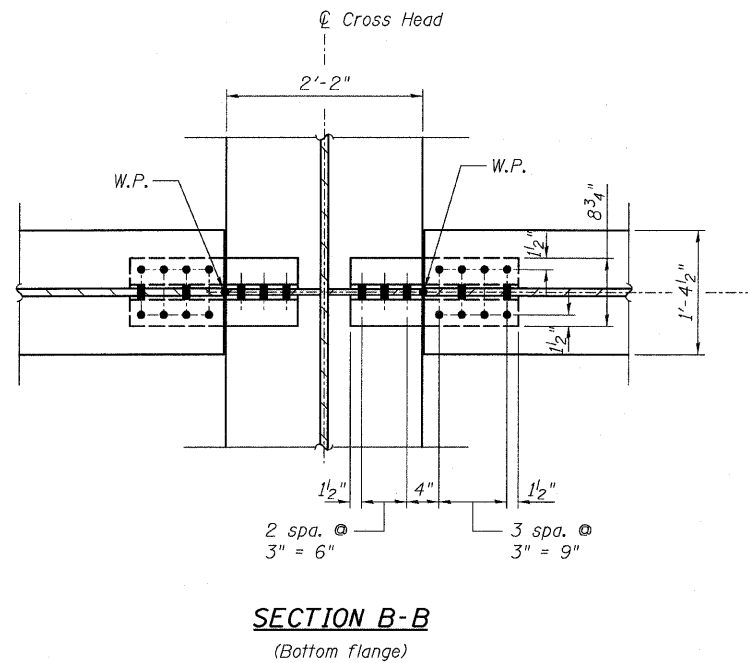
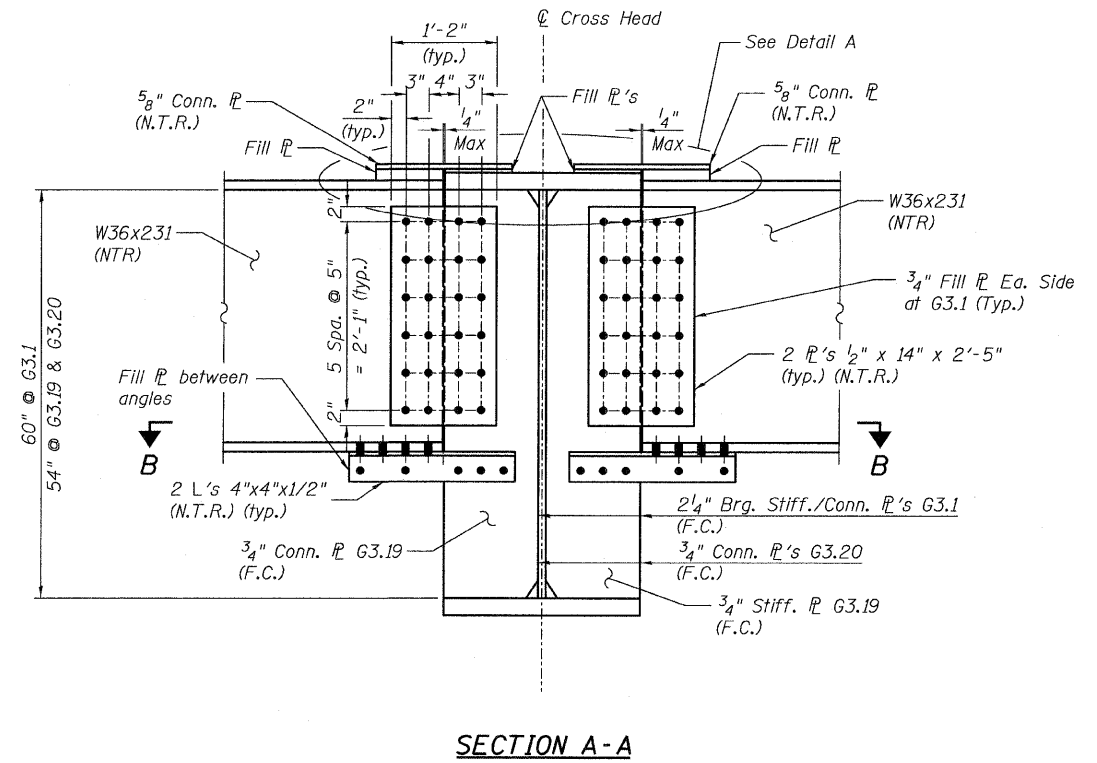
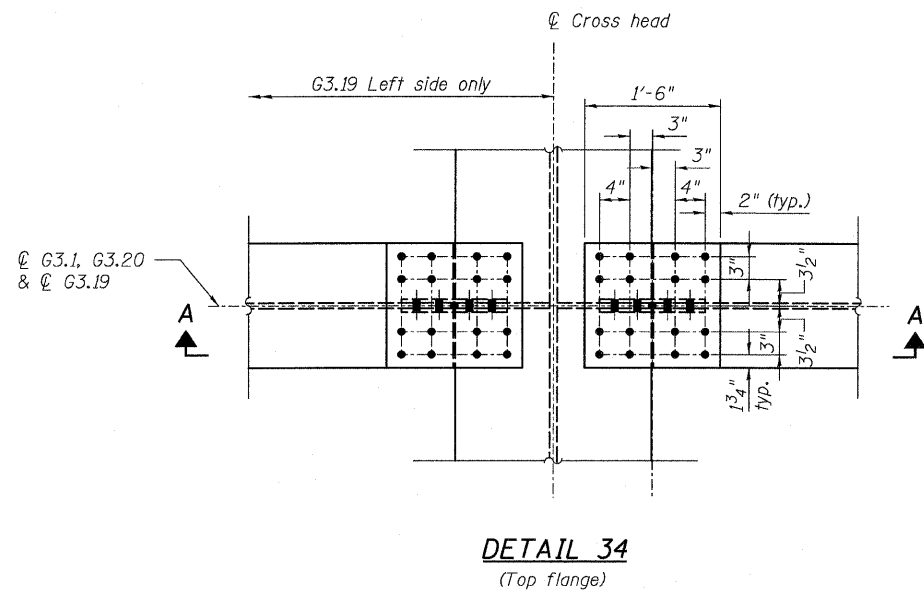


STATE OF ILLINOIS
DEPARTMENT OF TRANSPORTATION



- NOTES:**
1. All steel shall be AASHTO M 270 Grade 50.
 2. Load carrying components designated "N.T.R." shall conform to the Supplemental Requirements for Notch Toughness, Zone 2.
 3. F.C. Indicates Fracture Critical Material, AASHTO Zone 2.

CONNECTION DETAILS 34
RAMP 3 FLARE
STRUCTURE NO. 016-0724

TYLIN INTERNATIONAL	DESIGNED - JPN	REVISIONS		SHEET NO. 166	F.A.I. RTE.	SECTION	COUNTY	TOTAL SHEETS	SHEET NO.	
	CHECKED - AMD,	NAME	DATE		55	0711.2R & 1011.1BR	COOK	741	490	
	DRAWN - JMA				CONTRACT NO. 60999					
	CHECKED - AMD,				FED. ROAD DIST. NO. 1 ILLINOIS FED. AID PROJECT					
	DATE - 03/25/2011									

4/28/2011 12:57:54 PM p:\01345\structure\02 Central Ave. 016-0724\5553\Framed\17.dgn