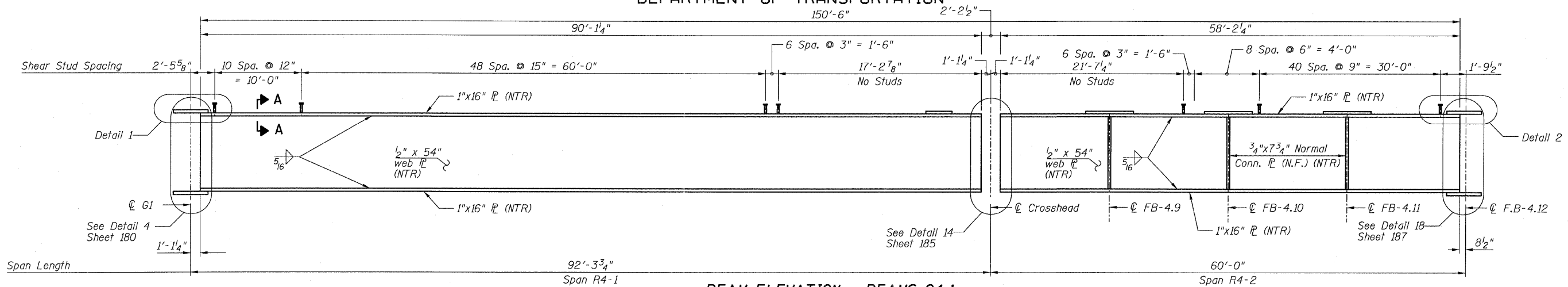
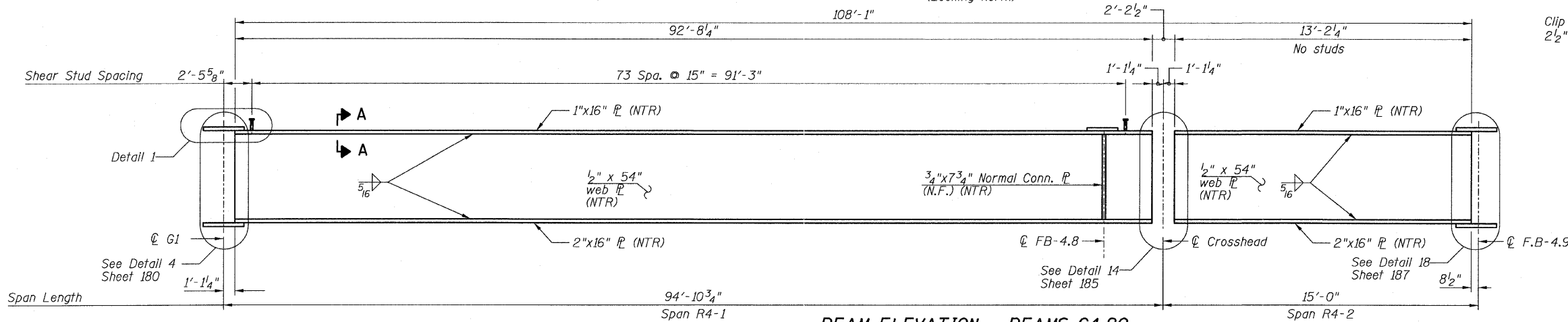


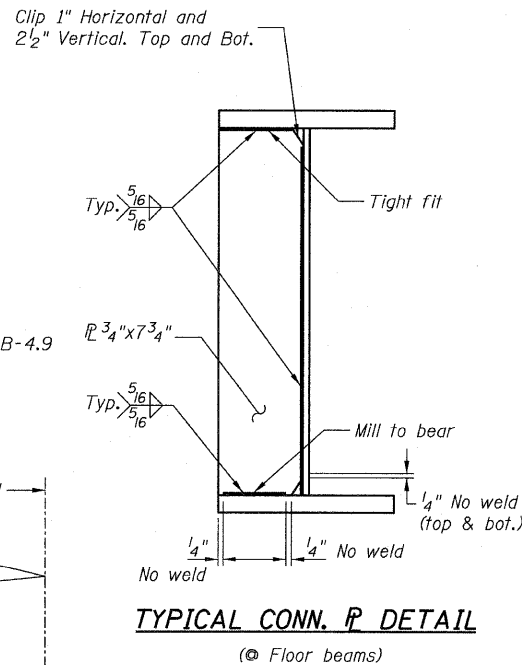
STATE OF ILLINOIS
DEPARTMENT OF TRANSPORTATION



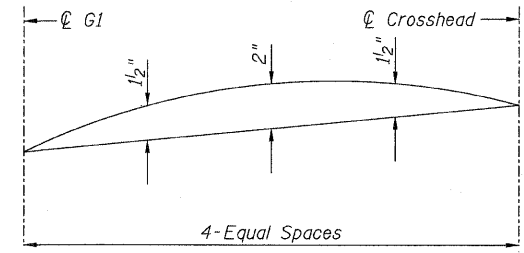
BEAM ELEVATION - BEAMS G4.1
(Looking North)



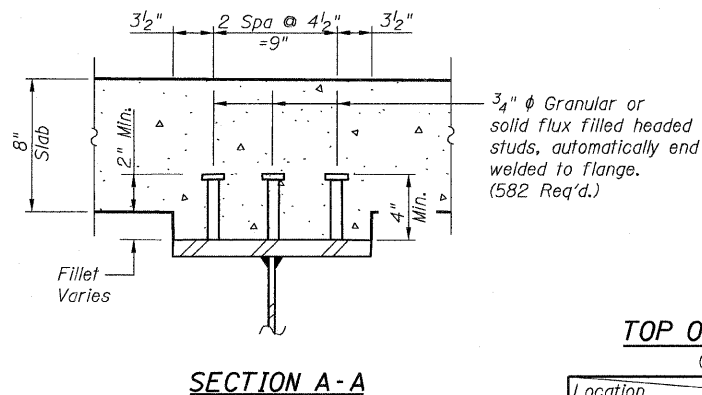
BEAM ELEVATION - BEAMS G4.2
(Looking North)



TYPICAL CONN. P DETAIL
(Floor beams)



CAMBER DIAGRAM
(G4.20)



SECTION A-A

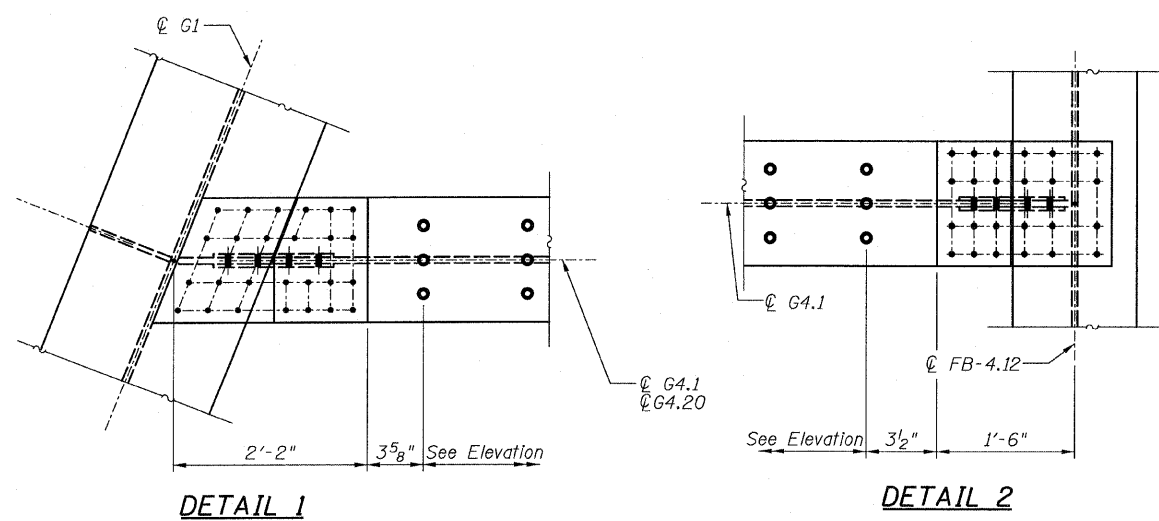
TOP OF WEB ELEVATIONS
(For Fabrication Only)

Location	Girder	G4.1	G4.20
Centerline G1		628.13	628.10
Centerline Crosshead		626.75	626.85
Centerline F.B.		625.68	626.65

NOTES:

- All steel shown on this sheet shall conform to the requirements of AASHTO M270 GR 50.
- Load carrying components designated "NTR" shall conform to the supplemental requirements for Notch Toughness, Zone 2.
- N.F. denotes Near Face.
- Girders shall not be cambered for spans R1-1.

GIRDER ELEVATIONS 1
RAMP 4 FLARE
STRUCTURE NO. 016-0724



DETAIL 1

DETAIL 2

TYLIN INTERNATIONAL

DESIGNED	EKH, JMA, PK	REVISIONS	
CHECKED	AMD,	NAME	DATE
DRAWN	EKH, JMA, PK		
CHECKED	AMD,		
DATE	03/25/2011		

SHEET NO. 171
239 SHEETS

F.A.I. RTE.	SECTION	COUNTY	TOTAL SHEETS	SHEET NO.
55	0711.2R & 1011.1BR	COOK	741	495
CONTRACT NO. 60999				
FED. ROAD DIST. NO. 1 ILLINOIS FED. AID PROJECT				