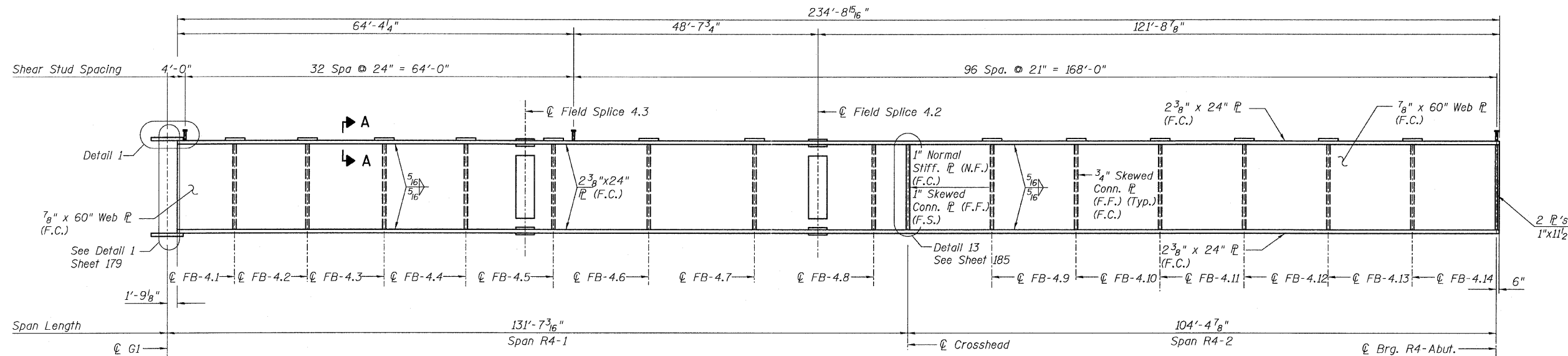
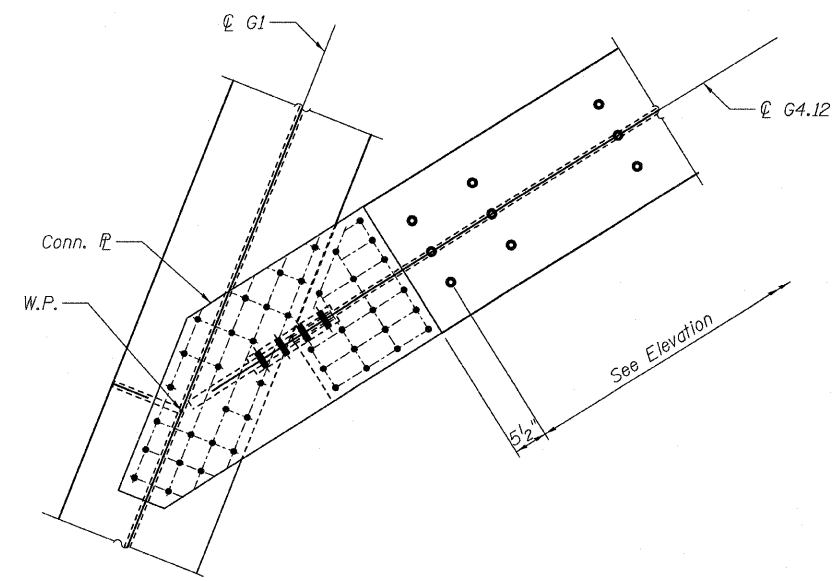


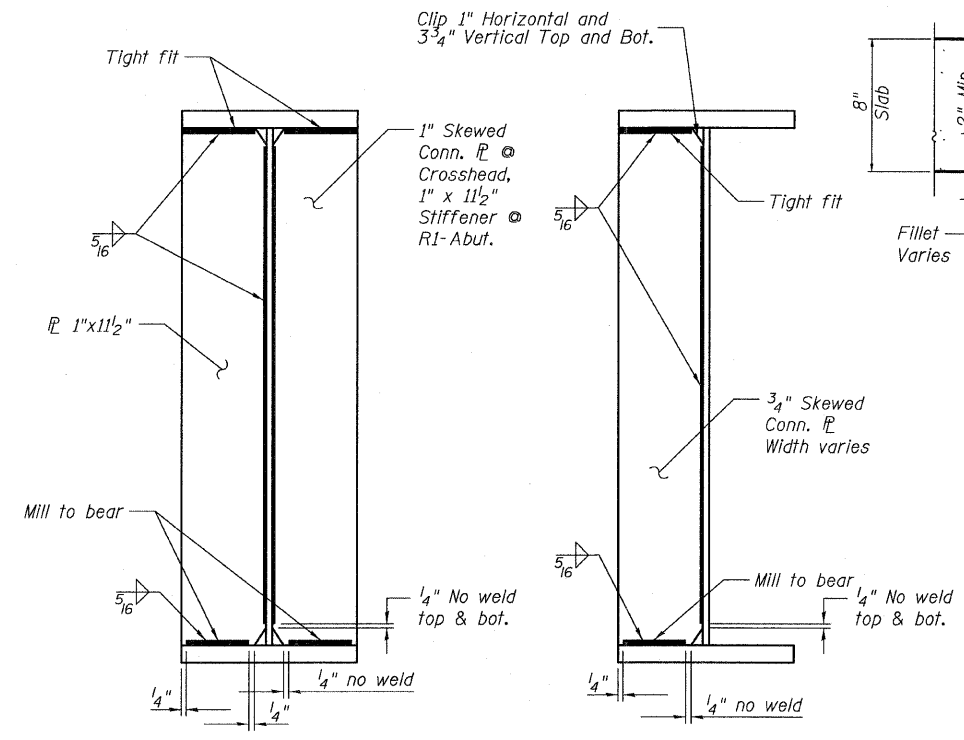
STATE OF ILLINOIS  
DEPARTMENT OF TRANSPORTATION



**GIRDER ELEVATION - G4.12 (F.C.M)**  
(Looking South)

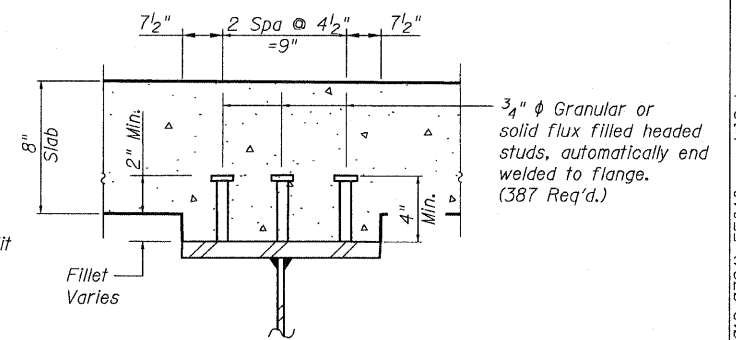


**DETAIL 1**



**BEARING STIFFENERS**

**CONNECTION P**



**SECTION A-A**

**TOP OF WEB ELEVATIONS**  
(For Fabrication Only)

Location	Girder	G4.12
Centerline G1		627.69
Field Splice 4.3		627.68
Field Splice 4.2		627.26
Centerline Crosshead		626.86
Centerline Bearing R4- Abut.		624.77

**NOTES:**

- All steel shown on this sheet shall conform to the requirements of AASHTO M270 GR 50.
- Load carrying components designated "NTR" shall conform to the supplemental requirements for Notch Toughness, Zone 2.
- For Field Splice details, See Sheet 188.
- FCM denotes Fracture Critical Member.
- F.C. denotes Fracture Critical Material, AASHTO Zone II.
- N.F. denotes Near Face.
- F.F. denotes Far Face.
- Girder G4.12 shall not be cambered.

**TYLIN INTERNATIONAL**

DESIGNED	EKH, JMA, PK	REVISIONS	
CHECKED	AMD,	NAME	DATE
DRAWN	EKH, JMA, PK		
CHECKED	AMD,		
DATE	03/25/2011		

SHEET NO. 174	F.A.I. RTE. 55	SECTION 0711.2R & 1011.1BR	COUNTY COOK	TOTAL SHEETS 741	SHEET NO. 498
239 SHEETS					
CONTRACT NO. 60999					
FED. ROAD DIST. NO. 1 ILLINOIS FED. AID PROJECT					

12:56:04 PM  
pi:\01345\structure\02\_Centrel\_Ave\_016-0724\1551741\Framed116.dwg  
4/28/2011