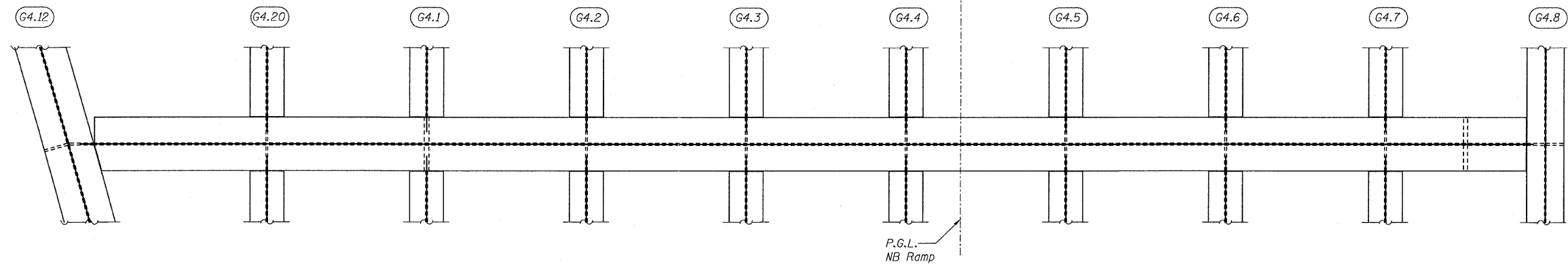
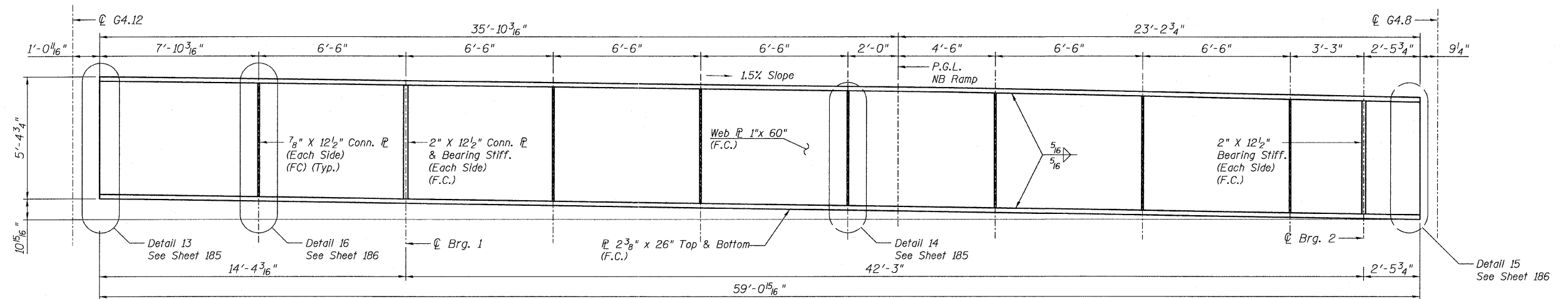


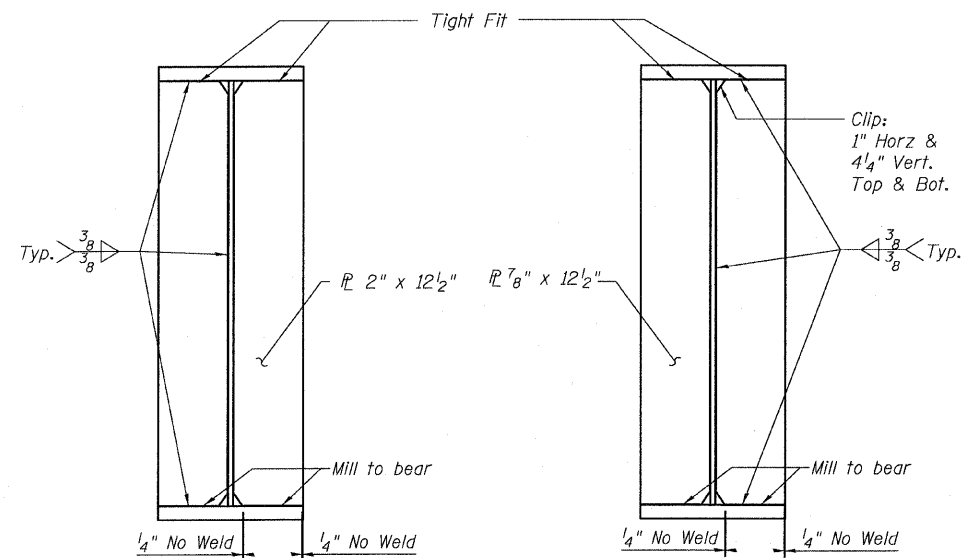
STATE OF ILLINOIS
DEPARTMENT OF TRANSPORTATION



CROSSHEAD PLAN - AT R4 PIER
(Top Connection Plates Not Shown for Clarity)



CROSSHEAD ELEVATION - AT R4 PIER (F.C.M.)
(Looking West)



Bearing Stiffener Details

Conn. Pl Details

TOP OF WEB ELEVATIONS
(For Fabrication Only)

LOCATION	ELEVATION
℄ Brg. 1	626.63
℄ Brg. 2	626.00

NOTES:

- All steel shown on this sheet shall conform to the requirements of AASHTO M270 GR 50.
- Load carrying components designated "NTR" shall conform to the supplemental requirements for Notch Toughness, Zone 2.
- F.C.M. denotes Fracture Critical Member.
- F.C. denotes Fracture Critical Material, AASHTO Zone II.
- Crosshead shall not be cambered.

CROSSHEAD GIRDER DETAILS
RAMP 4 FLARE
STRUCTURE NO. 016-0724

TYLIN INTERNATIONAL	DESIGNED - EKH, JMA, PK	REVISIONS		SHEET NO. 177	F.A.I. RTE.	SECTION	COUNTY	TOTAL SHEETS	SHEET NO.	
	CHECKED - AMD,	NAME	DATE		55	0711.2R & 1011.1BR	COOK	741	501	
	DRAWN - EKH, JMA, PK				239 SHEETS	CONTRACT NO. 60999				
	CHECKED - AMD,					FED. ROAD DIST. NO. 1	ILLINOIS	FED. AID PROJECT		
	DATE - 03/25/2011									