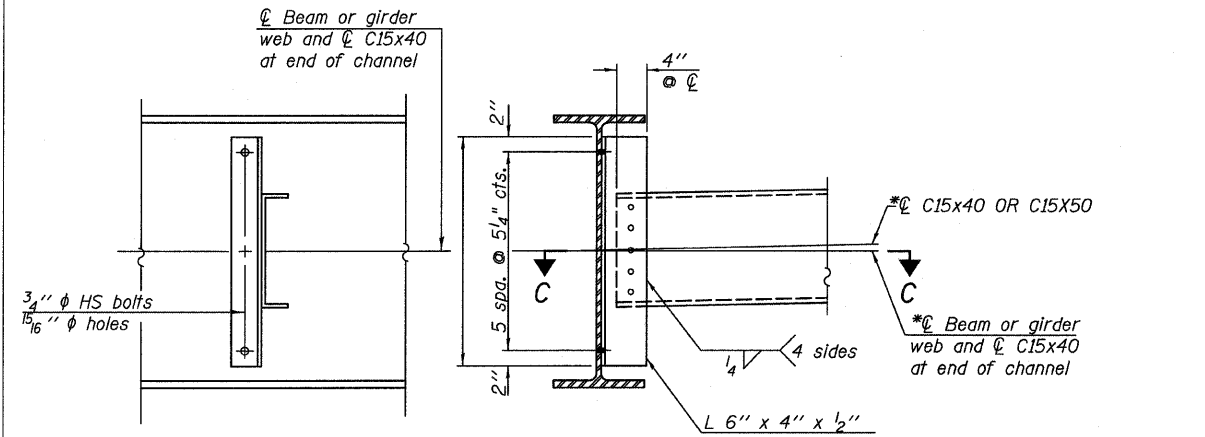


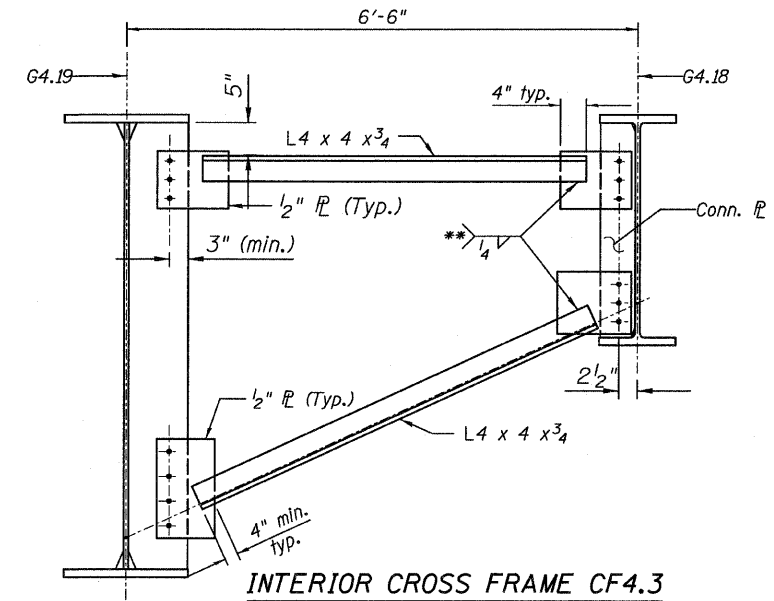
STATE OF ILLINOIS
DEPARTMENT OF TRANSPORTATION



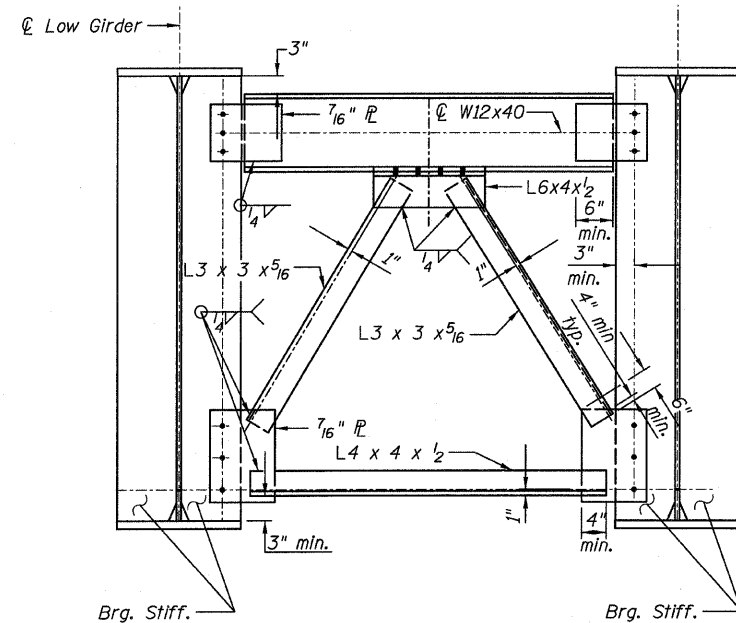
INTERIOR DIAPHRAGM D4.2
(12 Required)

*Alternate channels are permitted to facilitate material acquisition. Calculated weight of structural steel is based on the lighter section. The alternate, if utilized, shall be provided at no additional cost to the Department.

SECTION C-C

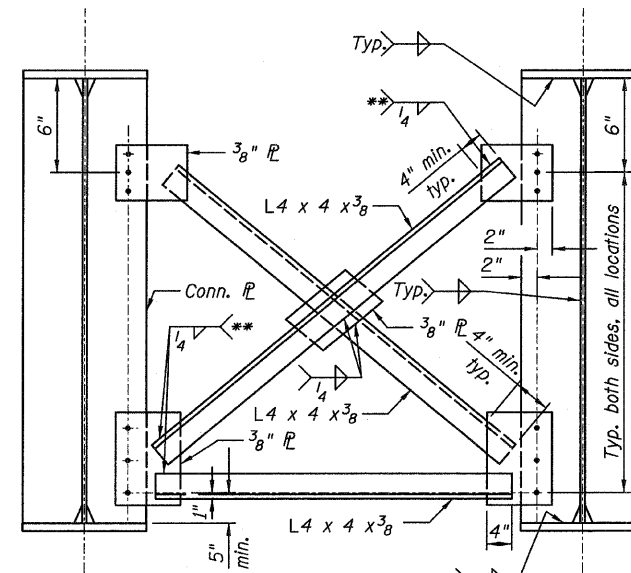


INTERIOR CROSS FRAME CF4.3
(4 Required)



END CROSS FRAME CF4.1
(7 Required)

Note:
Place CrossFrame with channel Flanges and outstanding angle legs outward from abutment backwall. Weld on near side for 7/16 inch plate.



INTERIOR CROSS FRAME CF4.2
(85 Required)

** Fillet weld angle along 3 sides on one face of gusset plate.

NOTES:

- All bolts shall be 3/4 inch diameter with 5/16 inch diameter holes unless otherwise noted.
- Two hardened washers shall be required over all oversized holes for diaphragms.
- All cross frames or diaphragms shall be installed as steel is erected and secured with erection pins and bolts except as otherwise noted. Individual cross frames or diaphragms at supports may be temporarily disconnected to install bearing anchor rods.

**DIAPHRAGMS & DETAILS
RAMP 4 FLARE
STRUCTURE NO. 016-0724**

TYLIN INTERNATIONAL

DESIGNED - EKH, JMA		REVISIONS	
CHECKED - AMD,		NAME	DATE
DRAWN - EKH, JMA			
CHECKED - AMD,			
DATE - 03/25/2011			

SHEET NO. 189	F.A.I. RTE.	SECTION	COUNTY	TOTAL SHEETS	SHEET NO.
	55	0711.2R & 1011.1BR	COOK	741	513
239 SHEETS		CONTRACT NO. 60999			
FED. ROAD DIST. NO. 1 ILLINOIS FED. AID PROJECT					

4/28/2011

pi:\01345\structur\02_Central_Ave_016-0724\155141_ramedti20.dwg

12:58:25 PM