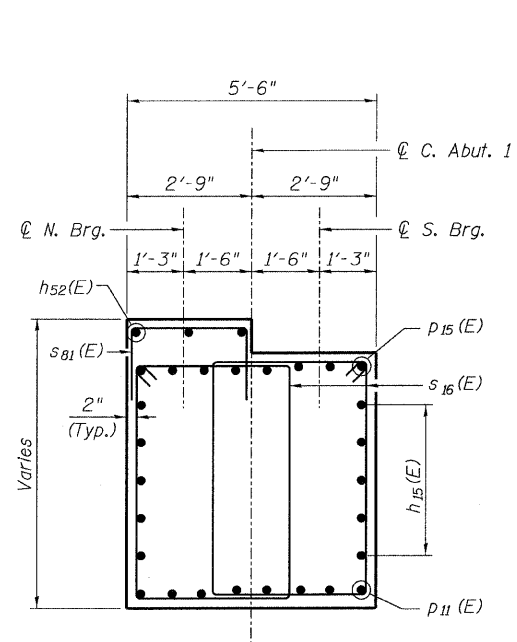
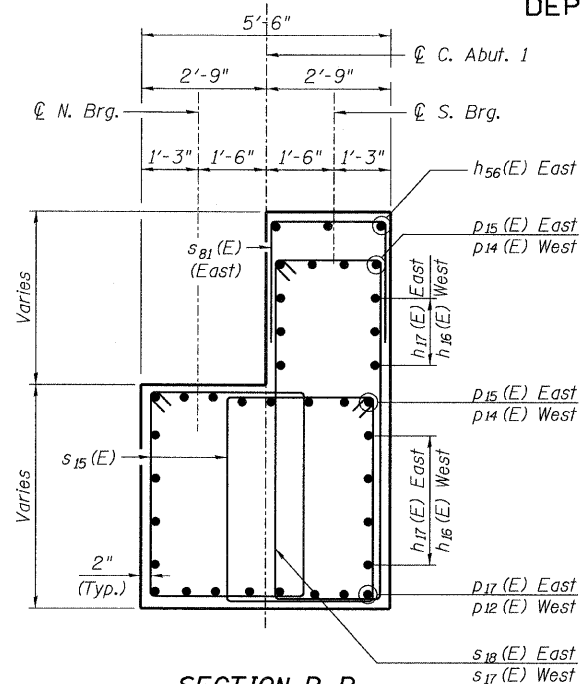


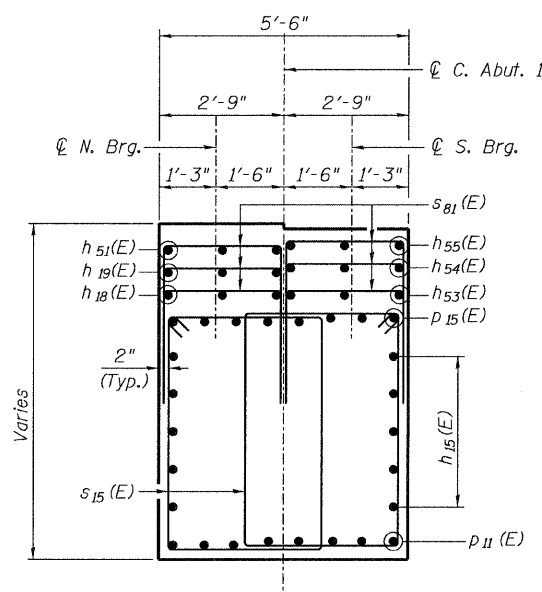
STATE OF ILLINOIS  
DEPARTMENT OF TRANSPORTATION



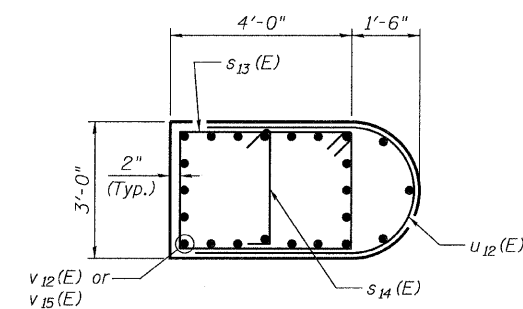
SECTION A-A



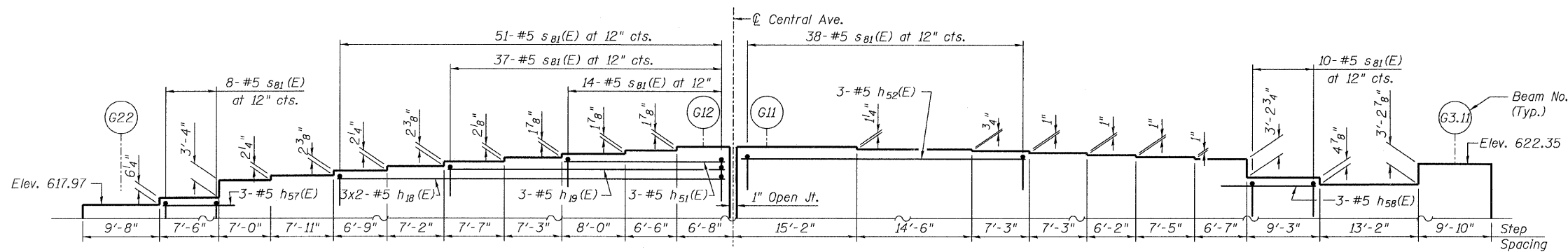
SECTION B-B



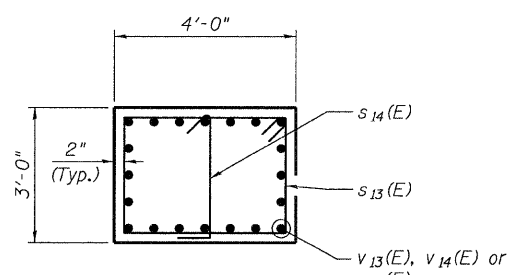
SECTION C-C



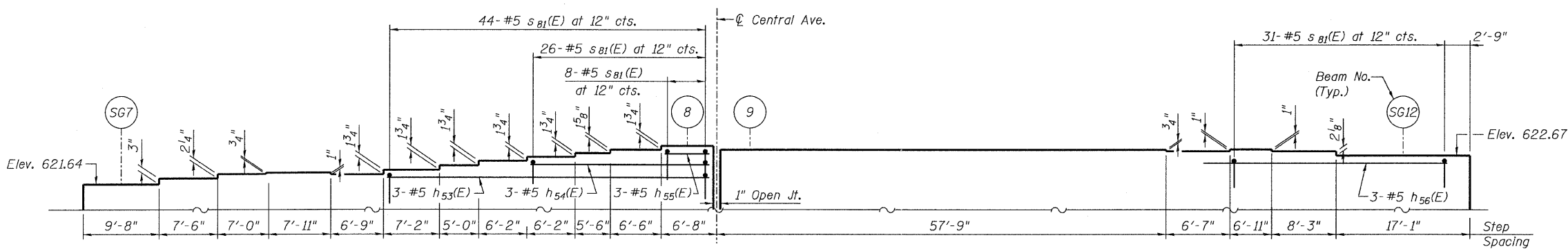
SECTION D-D



NORTH CAP PARTIAL ELEVATION: STEP REINFORCEMENT  
(Looking North)



SECTION E-E



SOUTH CAP PARTIAL ELEVATION: STEP REINFORCEMENT  
(Looking North)

NOTES

1. Work this sheet with sheets 193, 194 & 196.

C. ABUT. 1 - DETAILS  
CENTRAL/I-55  
STRUCTURE NO. 016-0724

TYLIN INTERNATIONAL	DESIGNED - MB	REVISIONS		SHEET NO. 195	F.A.I. RTE.	SECTION	COUNTY	TOTAL SHEETS	SHEET NO.	
	CHECKED - AMD,	NAME	DATE		55	0711.2R & 1011.1BR	COOK	741	519	
	DRAWN - MB				239 SHEETS	CONTRACT NO. 60999				
	CHECKED - AMD,					FED. ROAD DIST. NO. 1 ILLINOIS FED. AID PROJECT				
	DATE - 03/25/2011									

p:\01345\structure\c2 Central Ave. 016-0724\55c2abut.dwg 5/9/2011 9:09:18 AM