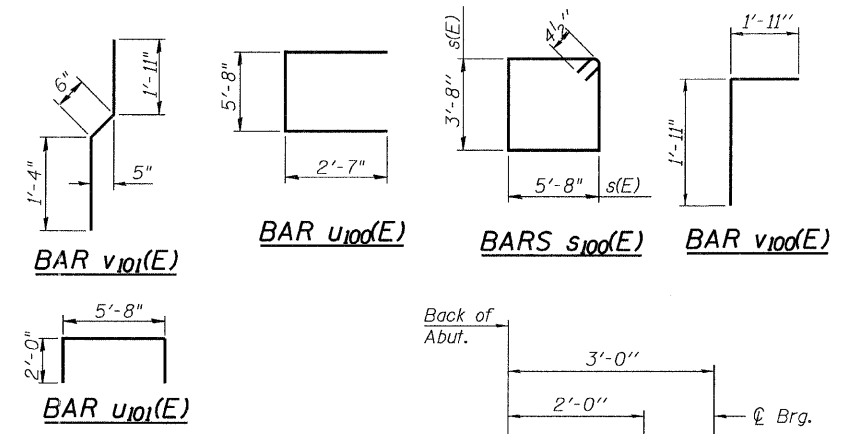
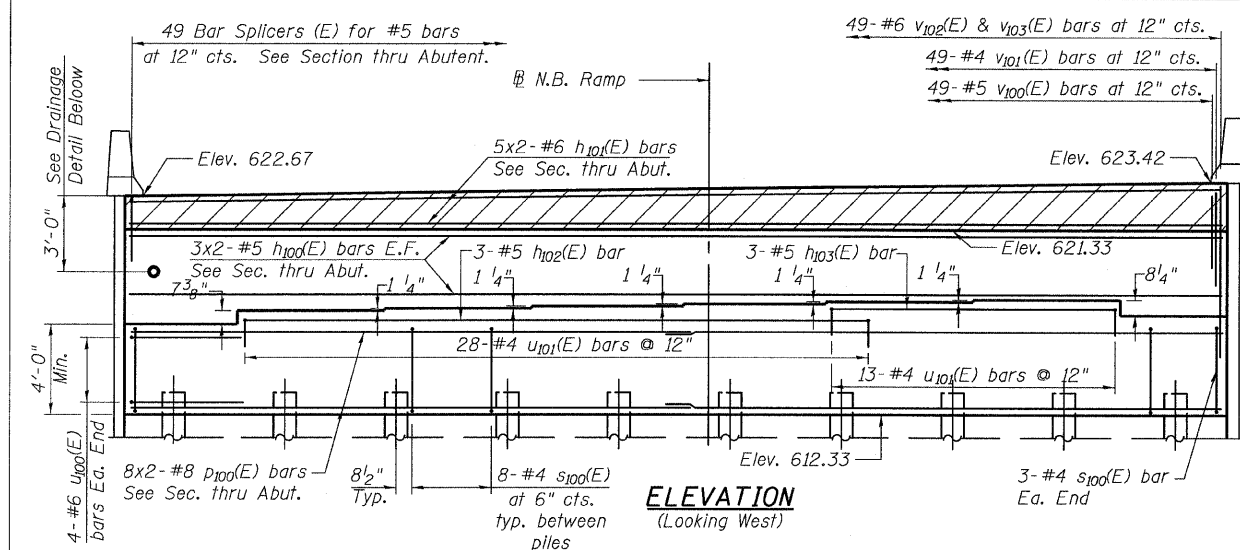


STATE OF ILLINOIS
DEPARTMENT OF TRANSPORTATION

RAMP 1 ABUTMENT
BILL OF MATERIAL



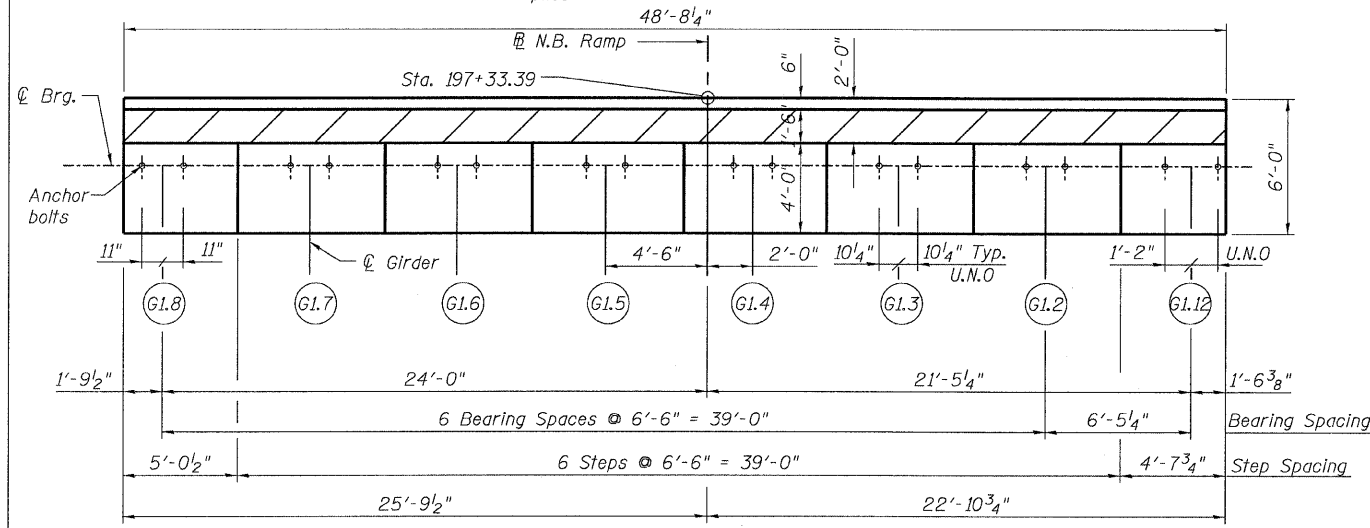
BRIDGE SEAT
ELEVATIONS

Beam	Elevation
G1.12	616.75
G1.2	617.44
G1.3	617.34
G1.4	617.24
G1.5	617.14
G1.6	617.04
G1.7	616.94
G1.8	616.33

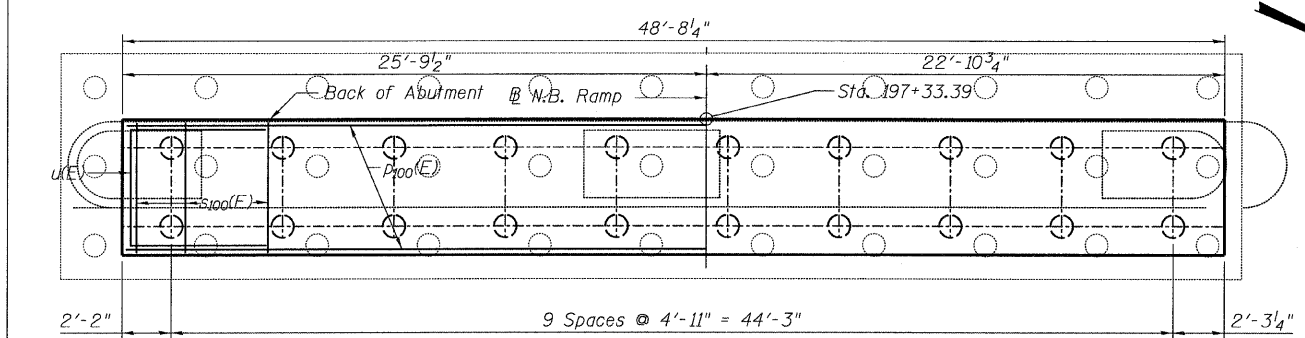
MINIMUM BAR LAPS

Bar	Lap
#4	1'-9"
#5	2'-2"
#6	2'-7"
#6	3'-7" (Top)
#7	3'-5"
#7	4'-10" (Top)
#8	4'-6"

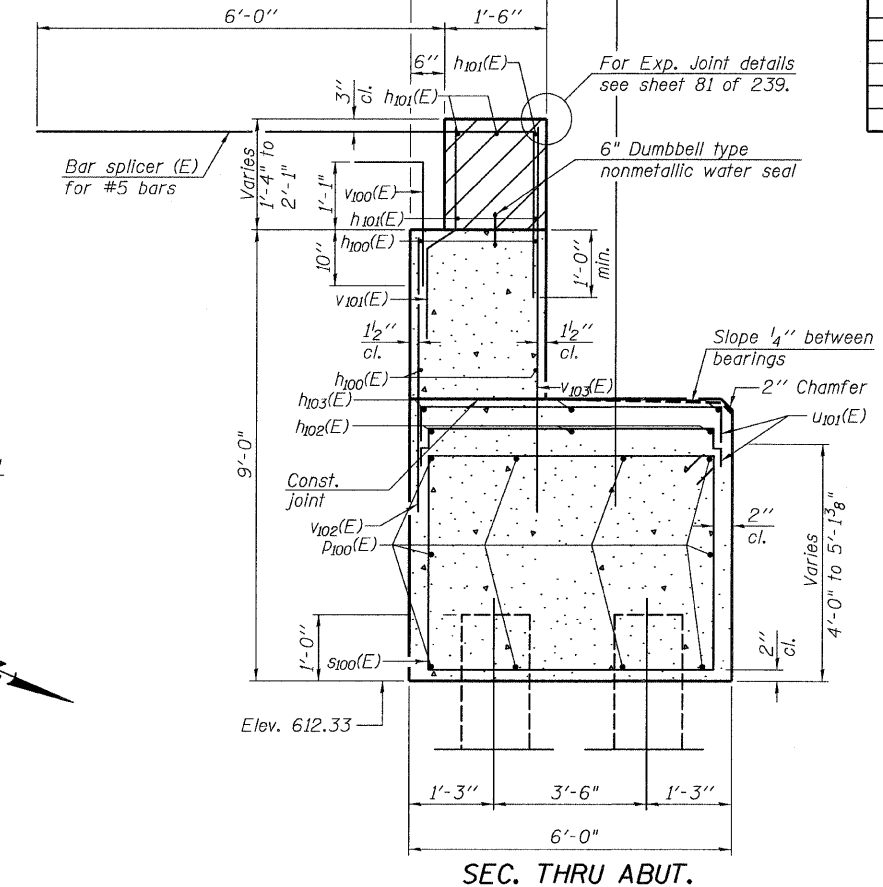
Bar	No.	Size	Length	Shape
h100(E)	12	#5	25'-3"	
h101(E)	10	#6	25'-6"	
h102(E)	3	#5	28'-0"	
h103(E)	3	#5	12'-8"	
p100(E)	16	#8	26'-7"	
s100(E)	78	#4	19'-5"	
u100(E)	8	#6	10'-10"	
u101(E)	41	#5	9'-8"	
v100(E)	49	#5	3'-10"	
v101(E)	49	#4	3'-9"	
v102(E)	49	#6	7'-5"	
v103(E)	49	#6	9'-6"	
Structure Excavation		Cu. Yd.	141.2	
Concrete Structures		Cu. Yd.	71.2	
Reinforcement Bars, Epoxy Coated		Pound	4980	
Furnishing Metal Shell Piles 12"x 0.25"		Foot	1,140	
Driving Piles		Foot	1,140	
Test Pile Metal Shells		Each	1	
Concrete Sealer		Sq. Ft.	781	



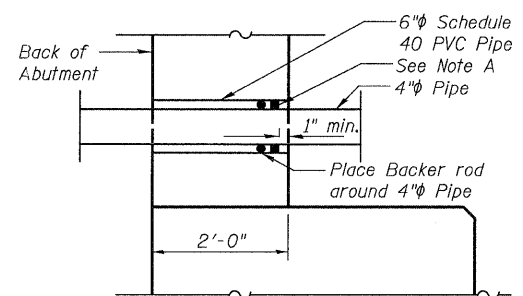
TOP VIEW



PLAN-PILE CAP



SEC. THRU ABUT.



DRAINAGE DETAIL

PILE DATA

Type: Metal Shell 12" ϕ x 0.25" wall.
Nominal Required Bearing: 270 kips
Factored Resistance Available: 90 kips
Est. Length: 60'
No. Production Piles: 19
No. Test Piles: 1

NOTES:

- Space reinforcement in cap to miss anchor bolts.
- Pour steps monolithically with cap.
- Hatched area to be poured after superstructure false work have been removed. Quantity of concrete included with Concrete Superstructure.
- Bars indicated thus 20 x 3- #7 etc. indicates 20 lines of bars with three lengths per line.
- Piles shall be driven prior to placement of the reinforced select fill and coated with coal tar epoxy from the bottom of the select fill to 1" above the base of the abutment. The cost of the coal tar epoxy coating shall be included with the cost of the Furnishing Piles.
- Align bar splicer to be parallel to approach slab reinforcement.

RAMP 1 ABUTMENT
STRUCTURE NO. 016-0724

TYLIN INTERNATIONAL	DESIGNED - JMA	REVISIONS		SHEET NO. 211	F.A.I RTE.	SECTION	COUNTY	TOTAL SHEETS	SHEET NO.	
	CHECKED - AMD,	NAME	DATE		239 SHEETS	55	0711.2R & 1011.1BR	COOK	741	535
	DRAWN - JMA				CONTRACT NO. 60999					
	CHECKED - AMD,				FED. ROAD DIST. NO. 1 ILLINOIS FED. AID PROJECT					
DATE - 03/25/2011										