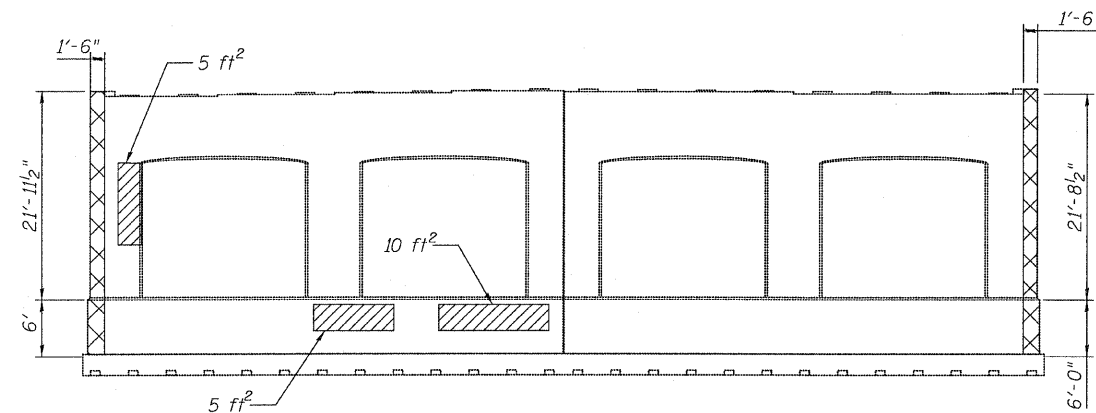


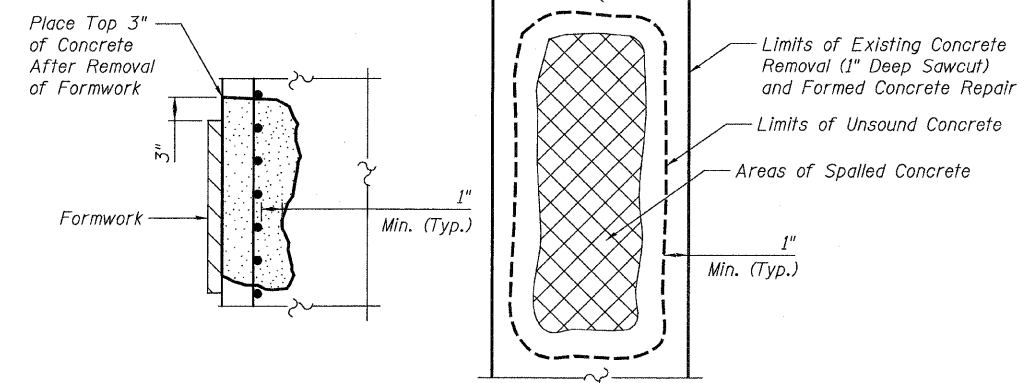
STATE OF ILLINOIS  
DEPARTMENT OF TRANSPORTATION

**BILL OF MATERIAL**

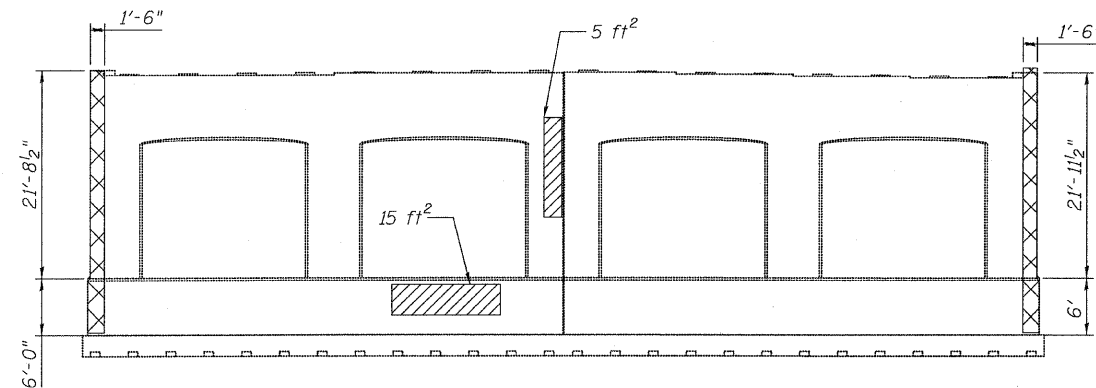
ITEM	UNIT	TOTAL
Structural Repair of Concrete (Depth Greater than 5 inches)	SQ FT	40



**PIER 6 SOUTH ELEVATION**  
(Looking North)



**STRUCTURAL REPAIR OF CONCRETE DESCRIPTION**



**PIER 6 NORTH ELEVATION**  
(Looking South)

**LEGEND**

- Concrete Removal
- Structural Repair of Concrete
- Exposed Rebar

**SUBSTRUCTURE REPAIRS**  
**CENTRAL/I-55**  
**STRUCTURE NO. 016-0724**

<b>TYLIN INTERNATIONAL</b>	DESIGNED - MB	REVISIONS		SHEET NO. 223	F.A.I. RTE.	SECTION	COUNTY	TOTAL SHEETS	SHEET NO.	
	CHECKED - AMD,	NAME	DATE		55	0711.2R & 1011.1BR	COOK	741	547	
	DRAWN - MB				239 SHEETS	CONTRACT NO. 60999				
	CHECKED - AMD,				DATE - 03/25/2011	FED. ROAD DIST. NO. 1   ILLINOIS   FED. AID PROJECT				

11:17:34 PM

p:\013415\structure\02\_Central\_Ave\_016-0724\155a2subrepl.dgn

4/28/2011