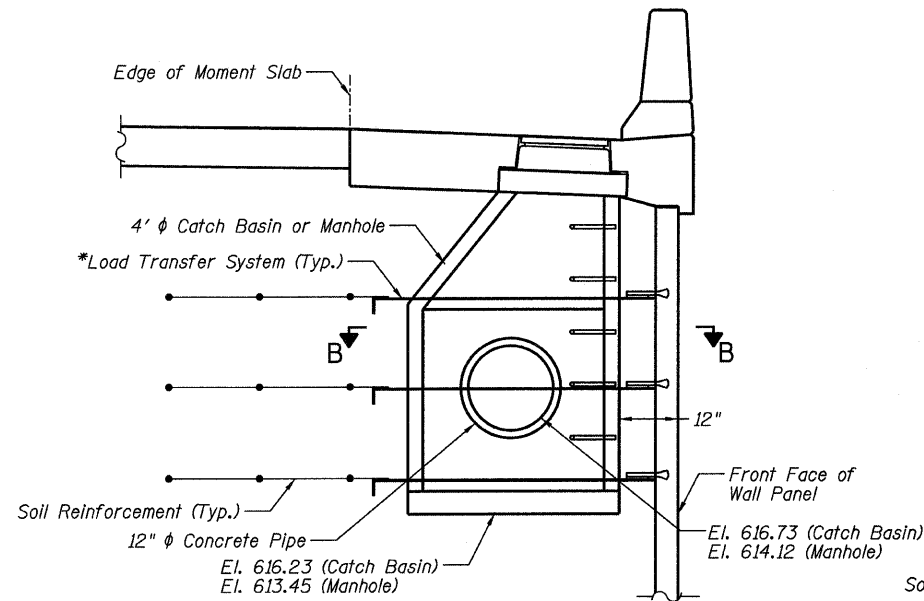
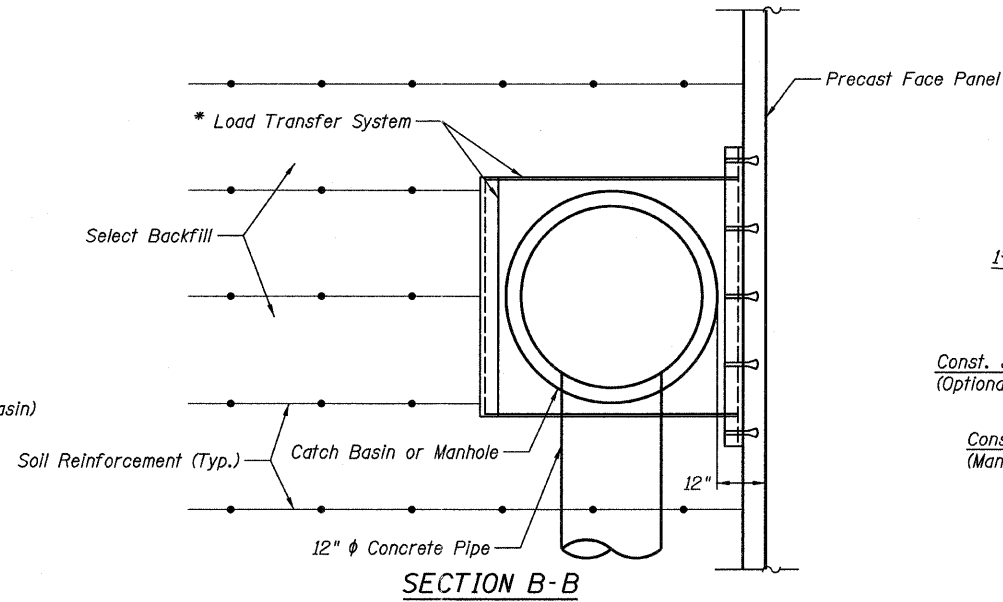


STATE OF ILLINOIS  
DEPARTMENT OF TRANSPORTATION

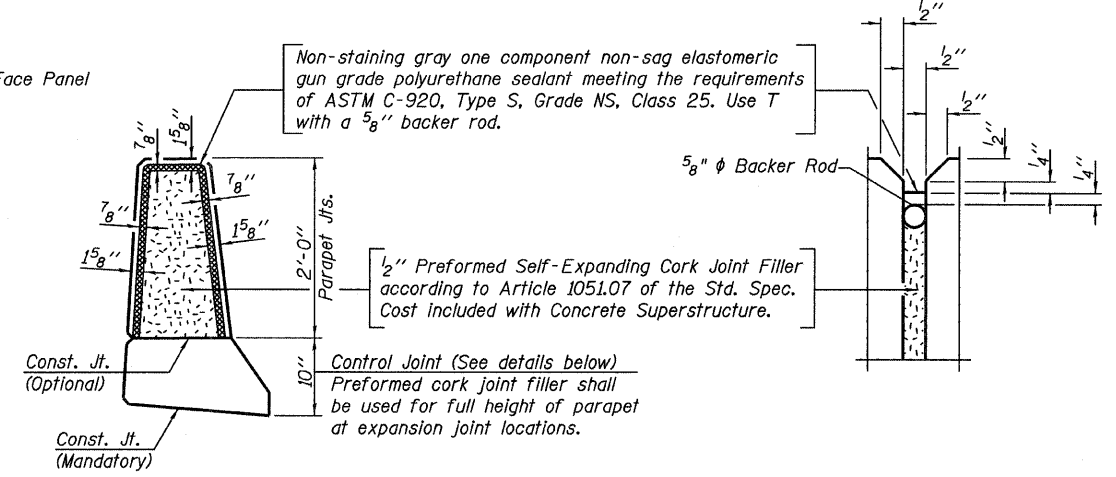


SECTION A-A

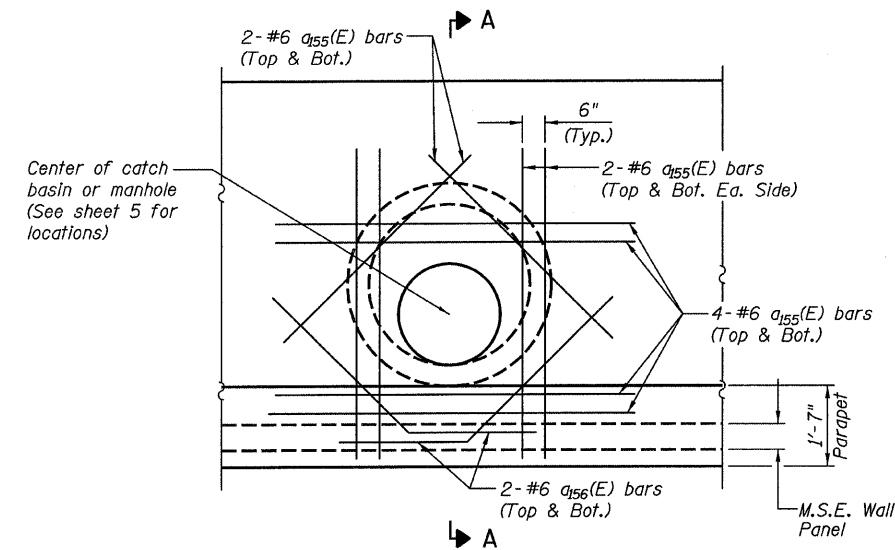
Note:  
\*M.S.E. supplier to design load transfer system to accommodate concrete pipe and catch basin/manhole.



SECTION B-B

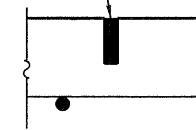


PARAPET JOINT DETAILS

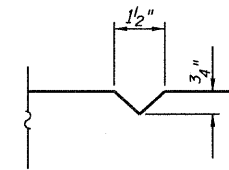


PLAN AT CATCH BASIN OR MANHOLE

1/4" wide x 1/2" deep sawed joint filled with hot poured sealant in accordance with Article 1050 of Standard Specifications.



SAWED CONTRACTION JOINT DETAIL - SLAB  
(Cost Included with Concrete Structures)



CONTROL JOINT DETAIL - PARAPET

RAMP 1 MOMENT SLAB  
DETAILS  
STRUCTURE NO. 016-1304

TYLIN INTERNATIONAL

DESIGNED - EKH	
CHECKED - AMD, MMB	
DRAWN - EKH	
CHECKED - AMD, MMB	
DATE - 03/25/2011	

REVISIONS	
NAME	DATE

SHEET NO. 7	F.A.I. RTE.
10 SHEETS	55

SECTION	COUNTY	TOTAL SHEETS	SHEET NO.
0711.2R & 1011.1BR	COOK	741	570
CONTRACT NO. 60999		FED. ROAD DIST. NO. 1 ILLINOIS FED. AID PROJECT	

4/28/2011