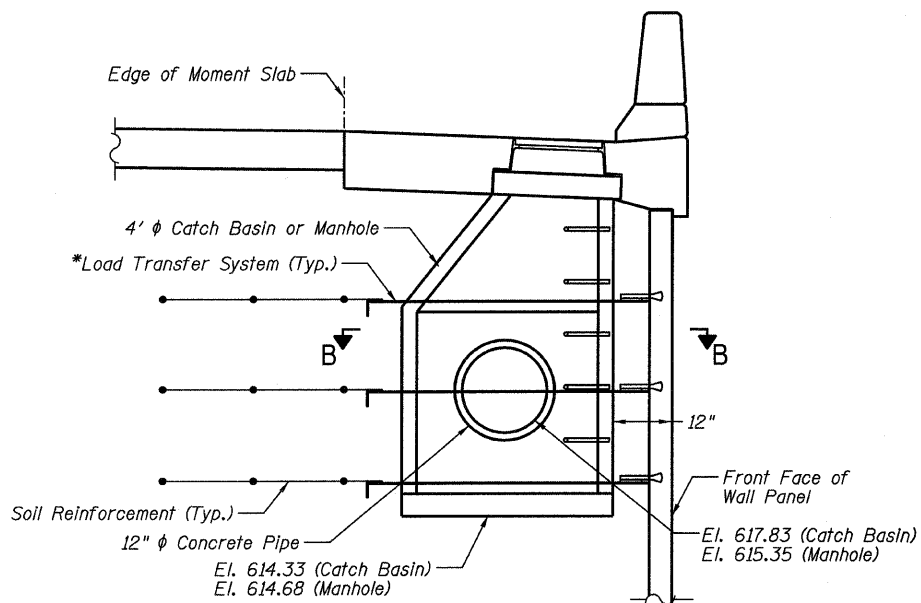
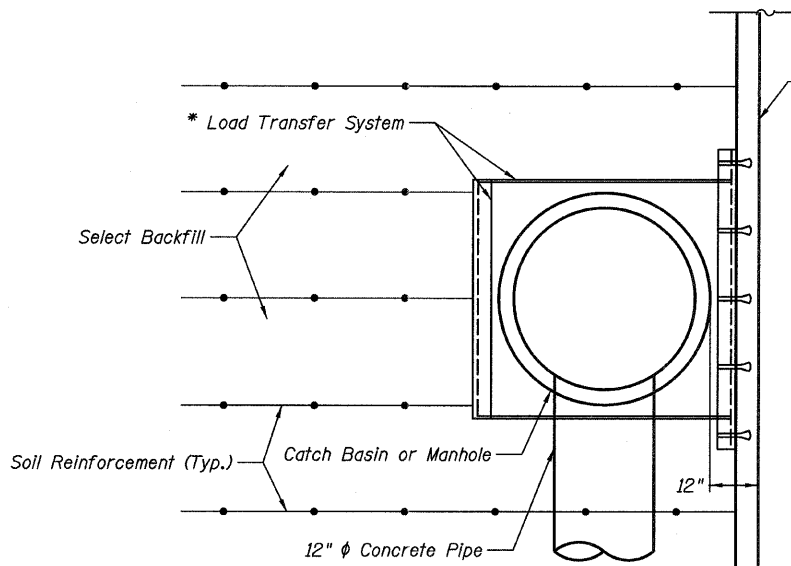


STATE OF ILLINOIS
DEPARTMENT OF TRANSPORTATION

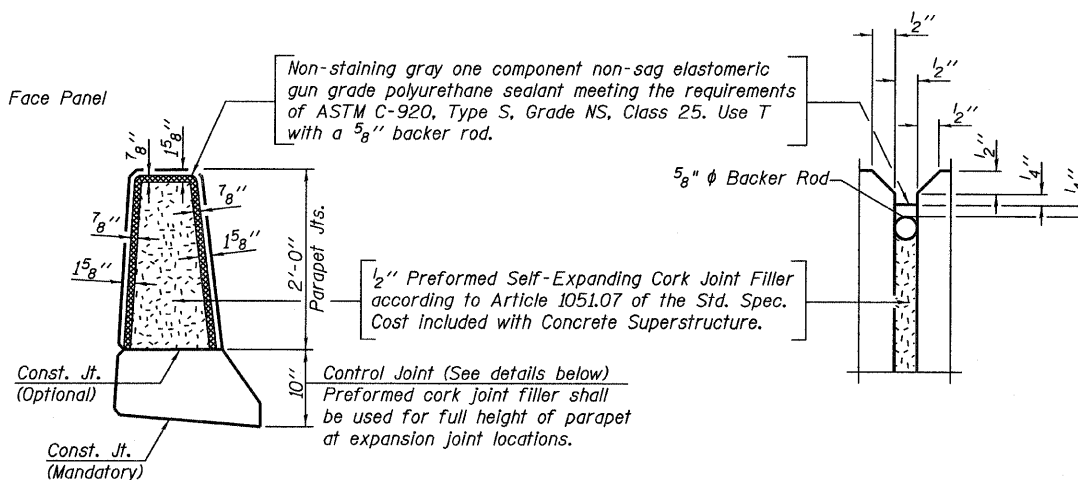


SECTION A-A

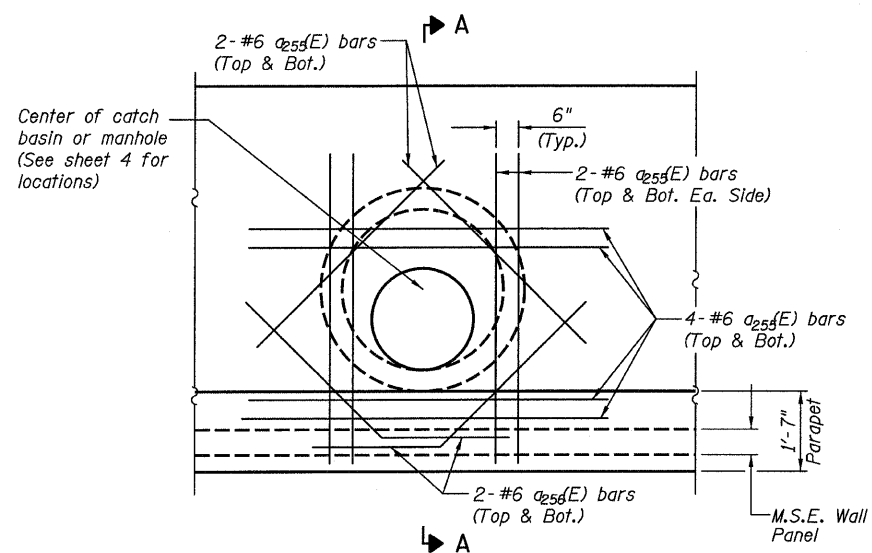
Note:
*M.S.E. supplier to design load transfer system to accommodate concrete pipe and catch basin/manhole.



SECTION B-B

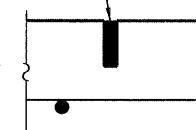


PARAPET JOINT DETAILS

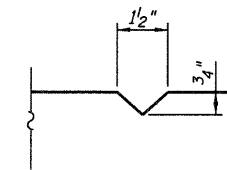


PLAN AT CATCH BASIN OR MANHOLE

1/4" wide x 1/2" deep sawed joint filled with hot poured sealant in accordance with Article 1050 of Standard Specifications.



SAWED CONTRACTION JOINT DETAIL - SLAB
(Cost Included with Concrete Structures)



CONTROL JOINT DETAIL - PARAPET

**RAMP 2 MOMENT SLAB
DETAILS
STRUCTURE NO. 016-1305**

TYLIN INTERNATIONAL

DESIGNED - EKH	REVISIONS	
CHECKED - AMD,MMB	NAME	DATE
DRAWN - EKH		
CHECKED - AMD,MMB		
DATE - 03/25/2011		

SHEET NO. 7	F.A.I. RTE.	SECTION	COUNTY	TOTAL SHEETS	SHEET NO.
	55	0711.2R & 1011.1BR	COOK	741	580
10 SHEETS	CONTRACT NO. 60999				
FED. ROAD DIST. NO. 1 ILLINOIS FED. AID PROJECT					