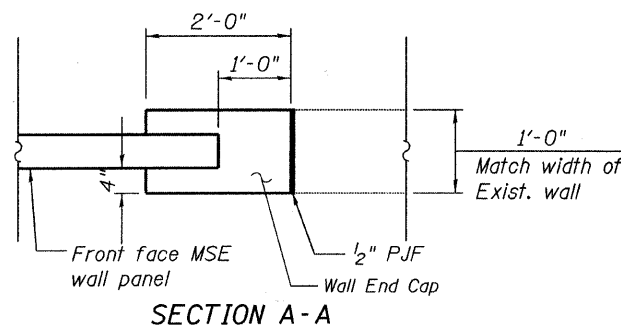


STATE OF ILLINOIS
DEPARTMENT OF TRANSPORTATION

LEGEND

- Boring Location
- Existing Manhole
- Proposed Manhole
- Proposed Catch Basin
- Existing Underdrain
- Existing Storm Sewer
- Removal of Existing Sub-Structures
- Proposed Underdrain
- Proposed Storm Sewer



SECTION A-A

APPROVED
FOR STRUCTURAL ADEQUACY ONLY

Anna M. Dukes
ENGINEER OF BRIDGES AND STRUCTURES

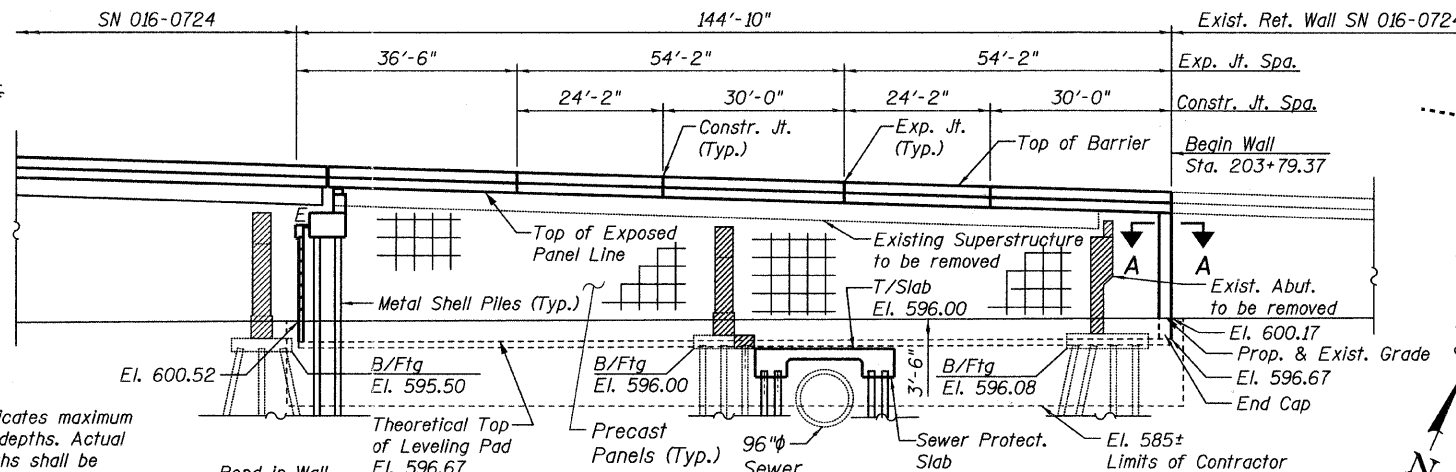


Signed *Anna M. Dukes*
Anna M. Dukes, S.E. II Lic. No. 081-005598
Expires 11-30-2012
Date March 25, 2011

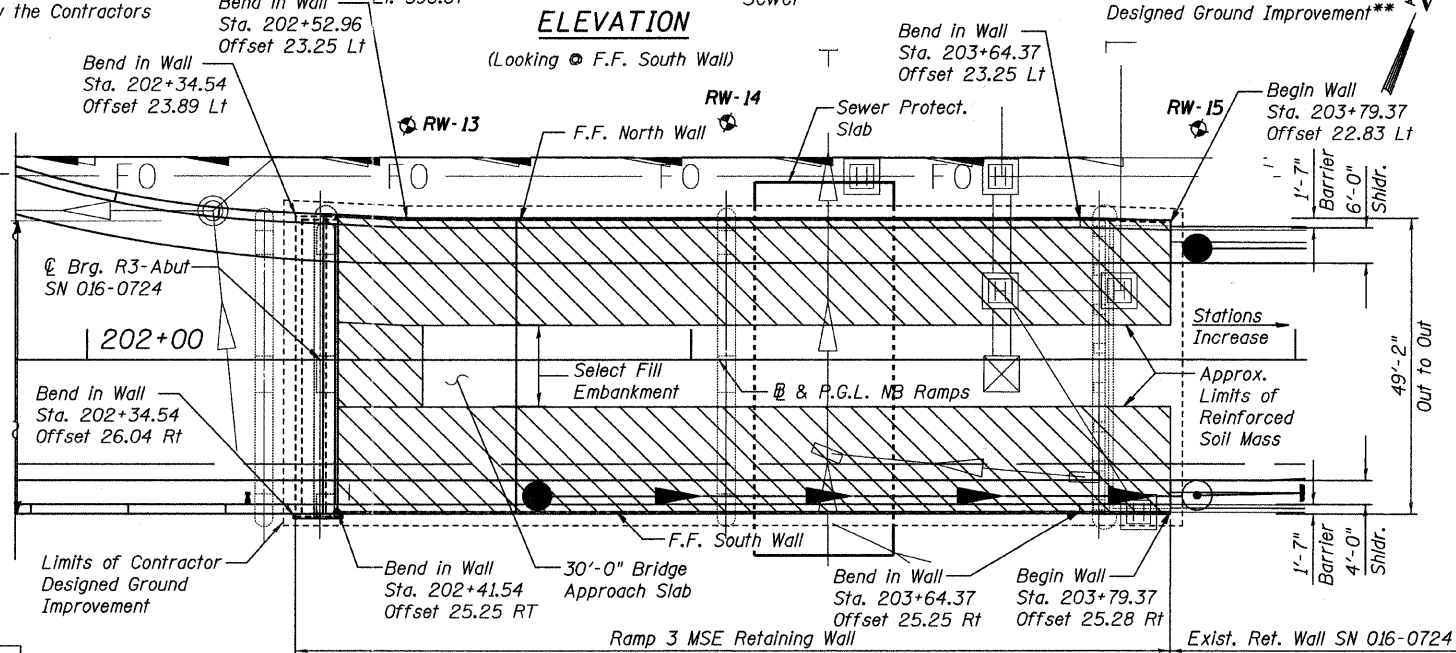
Notes:

- Wall stations and offsets are given to the front face of the precast concrete wall panels, and are measured from the NB Ramps Baseline.
- For sections thru Ramp and Abutment, refer to Sheet 2.
- Slipforming of the parapets is not allowed.
- Contractor Designed Ground Improvement:
Bearing Capacity = 4300 psf
Maximum Allowable Settlement = 0.4"
- For existing structure removal details see Sheet 335.
Cost of removals is included with S.N. 016-0724.
- Reinforcement bars shall conform to the requirements of ASTM A706 Gr. 60.

** Elevation indicates maximum improvement depths. Actual remedial depths shall be determined by the Contractors design



ELEVATION
(Looking @ F.F. South Wall)



PLAN

BORING LOCATIONS

No.	Station	*Offset
RW-13	202+53.00	39.0 L
RW-14	203+06.00	39.5 L
RW-15	203+84.00	38.5 L

* Offset from PGL Ramp 3

RAMP 3 PROFILE GRADE

SCOPE OF WORK

- Spans 3 and 4
- Remove and replace the existing structure with Mechanically Stabilized Earth Retaining Walls.

TOTAL BILL OF MATERIALS

ITEM	UNIT	TOTAL
Structure Excavation	CU YD	1,157
Concrete Superstructure	CU YD	102.8
Reinforcement Bars, Epoxy Coated	POUND	31,610
Mechanically Stabilized Earth Retaining Wall	SQ FT	7535
Protective Coat	SQ YD	1033
Contractor Designed Ground Improvement	L SUM	0.25
Concrete Structures	CU YD	251.4
Driving Piles	FOOT	2,120
Furnishing Metal Shell Piles, 12"x0.25"	FOOT	2,120
Test Pile Metal Shells	EACH	1

INDEX OF SHEETS

- General Plan And Elevation - Ramp 3 Retaining Wall
- Ramp 3 MSE Abutment Wall Sections
- Ramp 3 MSE Abutment Wall & End Cap Details
- Ramp 3 Moment Slab Plan & Elevation
- Ramp 3 Moment Slab Sections & Bar List
- Ramp 3 Moment Slab Details
- Ramp 3 Sewer Protection Slab
- Boring Logs 1
- Boring Logs 2

**GENERAL PLAN AND ELEVATION
RAMP 3 RETAINING WALL
CENTRAL AVE. OVER I-55
COOK COUNTY
STATION 202+34.54 TO 203+79.37
STRUCTURE NO. 016-1306**

TYLIN INTERNATIONAL

DESIGNED	REVISIONS
- EKH	NAME
CHECKED - AMD, MMB	DATE
DRAWN - EKH	
CHECKED - AMD, MMB	
DATE - 03/25/2011	

SHEET NO. 1	F.A.I RTE.	SECTION	COUNTY	TOTAL SHEETS	SHEET NO.
9	55	0711.2R & 1011.1BR	COOK	741	584
CONTRACT NO. 60999					
FED. ROAD DIST. NO. 1 ILLINOIS FED. AID PROJECT					