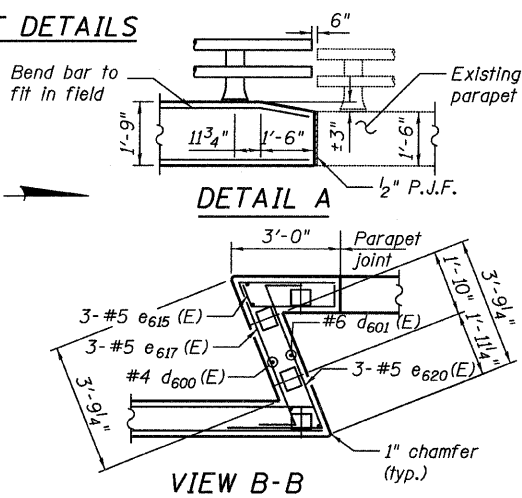
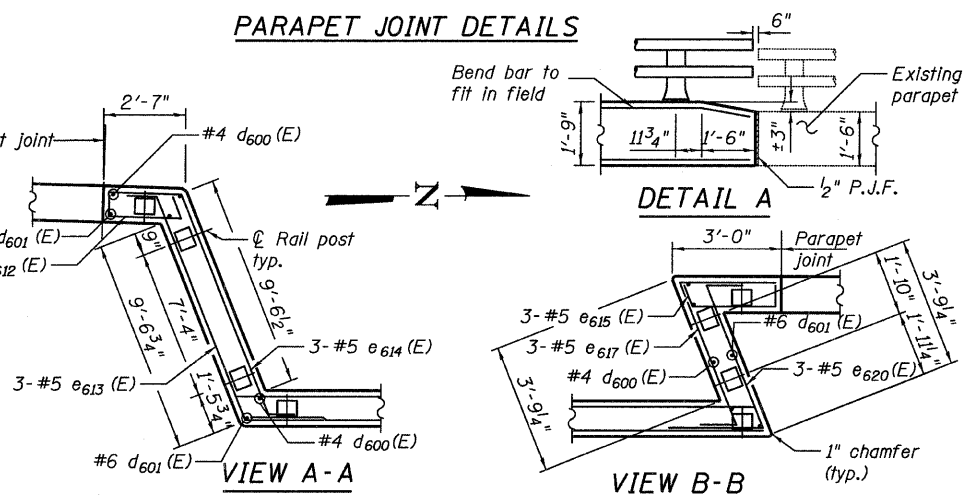
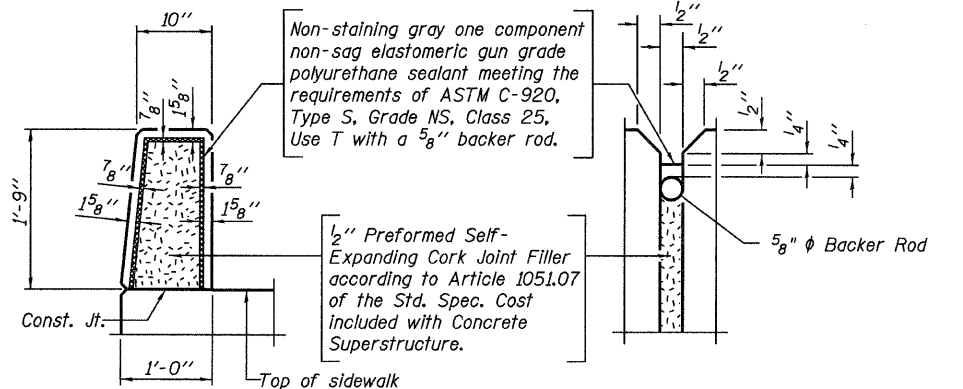
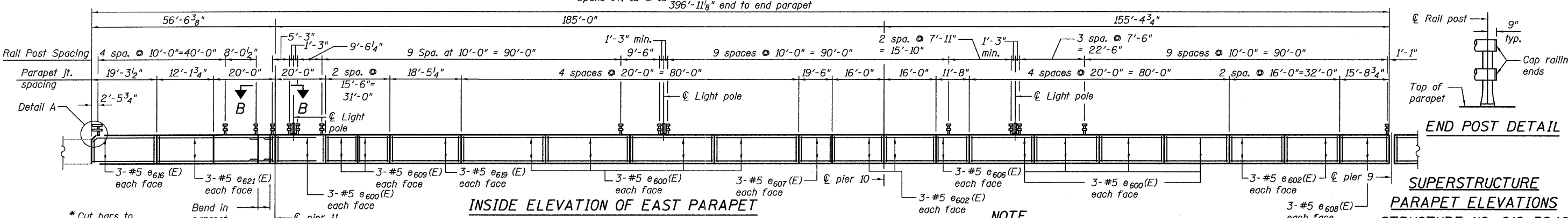
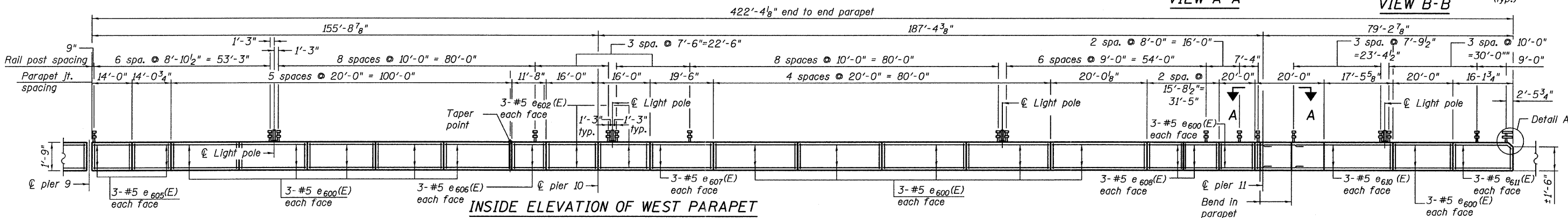
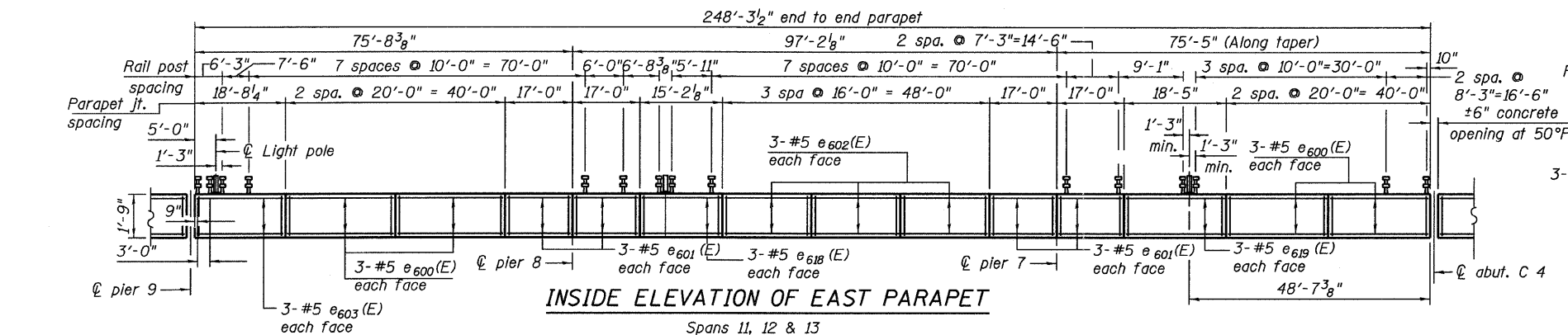
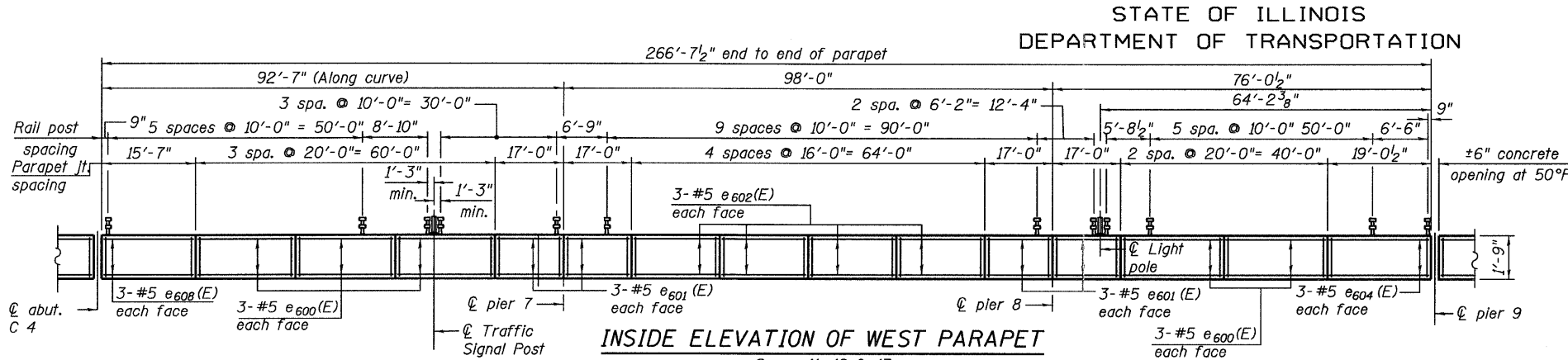


STATE OF ILLINOIS
DEPARTMENT OF TRANSPORTATION



**SUPERSTRUCTURE
PARAPET ELEVATIONS
STRUCTURE NO. 016-3240**

NOTE
Dimensions measured along inside face of parapet.

TYLIN INTERNATIONAL	DESIGNED - DY, LS	REVISIONS	
	CHECKED - AMD, LS	NAME	DATE
	DRAWN - DY, LS		
	CHECKED - AMD, LS		
	DATE - 03/25/2011		

SHEET NO. 26 73 SHEETS	F.A.I. RTE.	SECTION	COUNTY	TOTAL SHEETS	SHEET NO.
	55	0711.2R & 1011.1BR	COOK	741	629
	CONTRACT NO. 60999				
	FED. ROAD DIST. NO. 1 ILLINOIS FED. AID PROJECT				

9115131 AM
01:01:34:51 AM