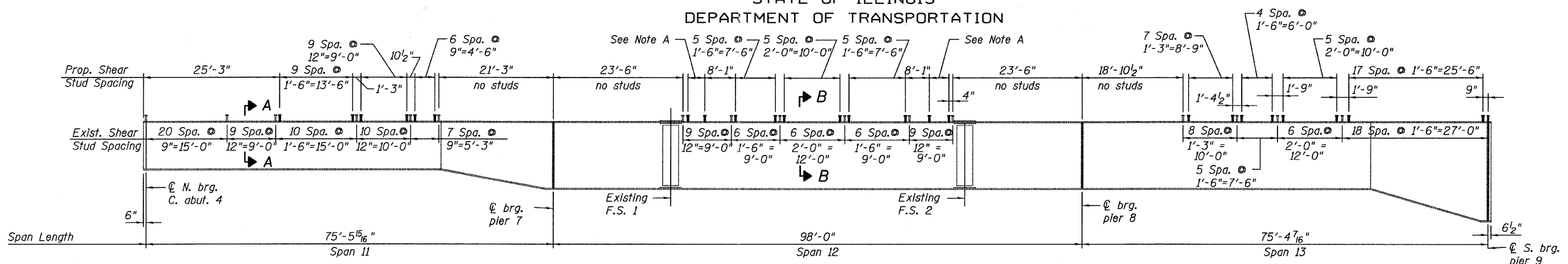
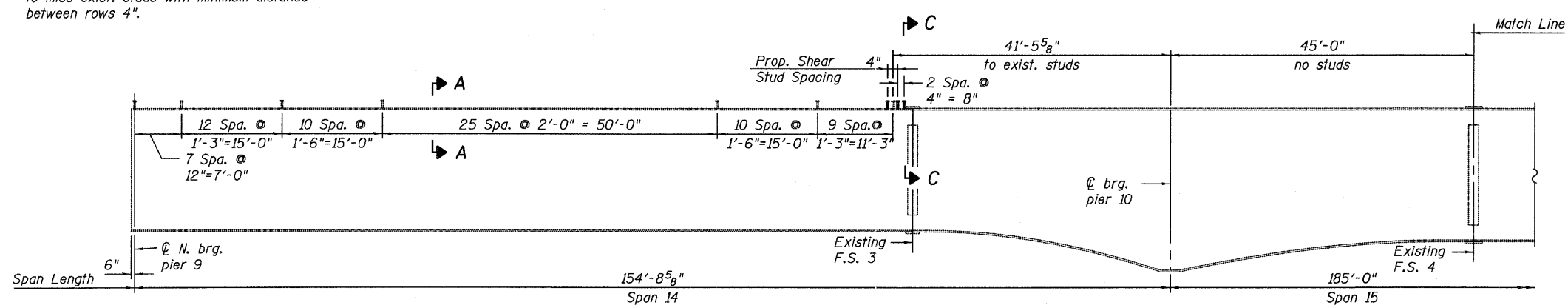


STATE OF ILLINOIS
DEPARTMENT OF TRANSPORTATION

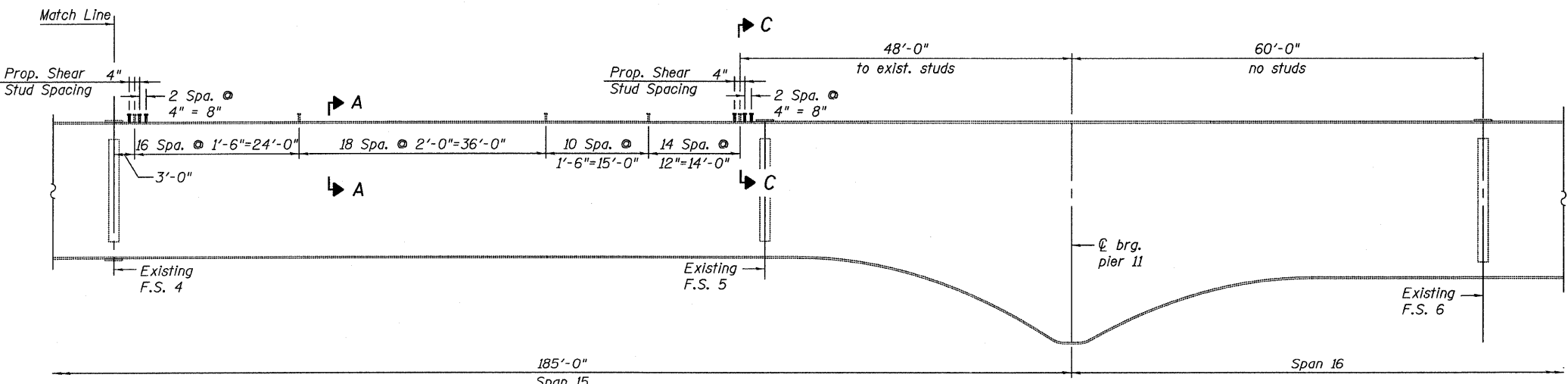


Note A:
Place 4 rows of studs at 4\"/>

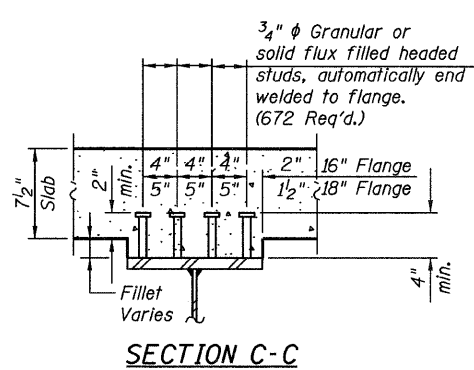
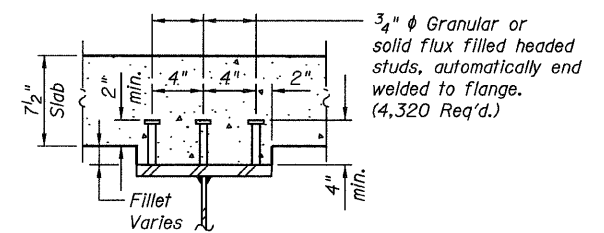
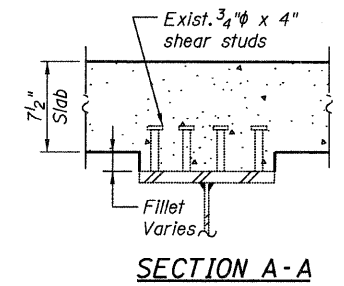
GIRDER ELEVATION- A THRU R - SPAN 11, 12, & 13
(Looking West)



GIRDER PARTIAL ELEVATION- A THRU P - SPAN 14 & 15
(Looking West)



GIRDER PARTIAL ELEVATION- A THRU P - SPAN 15 & 16



BILL OF MATERIAL

Item	Unit	Total
Stud Shear Connectors	Each	4,992

(For Existing Beams)

EXISTING GIRDER ELEVATIONS
SPANS 11, 12, 13, 14, 15 & 16
STRUCTURE NO. 016-3240

TYLIN INTERNATIONAL	DESIGNED - DY, LS	REVISIONS	
	CHECKED - AMD, LS	NAME	DATE
	DRAWN - DY, LS		
	CHECKED - AMD, LS		
	DATE - 03/25/2011		

SHEET NO. 42	F.A.I. RTE.	SECTION	COUNTY	TOTAL SHEETS	SHEET NO.
	73 SHEETS	55	0711.2R & 1011.1BR	COOK	741 645
			CONTRACT NO. 60999		
FED. ROAD DIST. NO. 1 ILLINOIS FED. AID PROJECT					

4/28/2011 2:31:58 PM p:\01345\structure\016-3240\155631.ramedt1.dgn