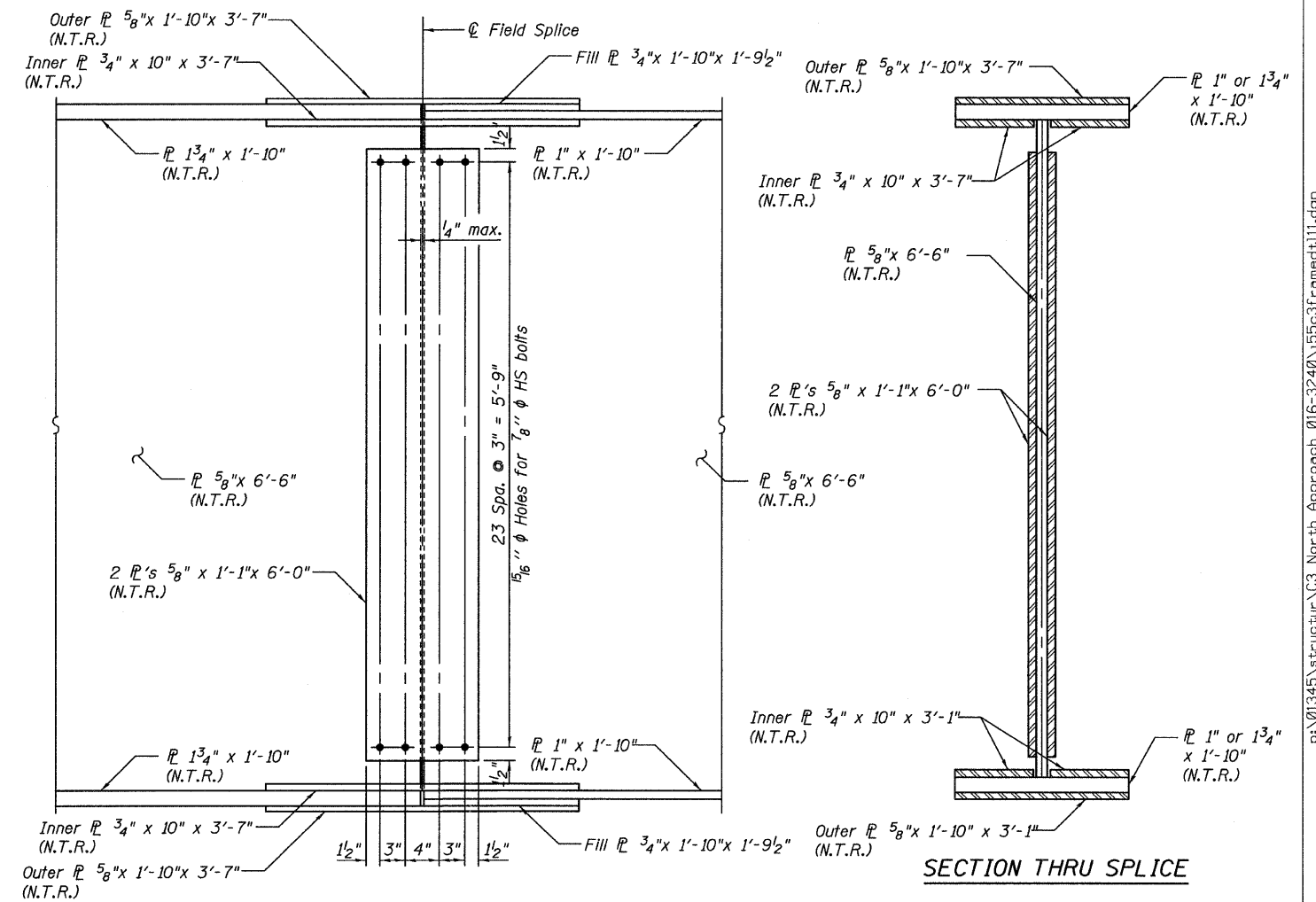
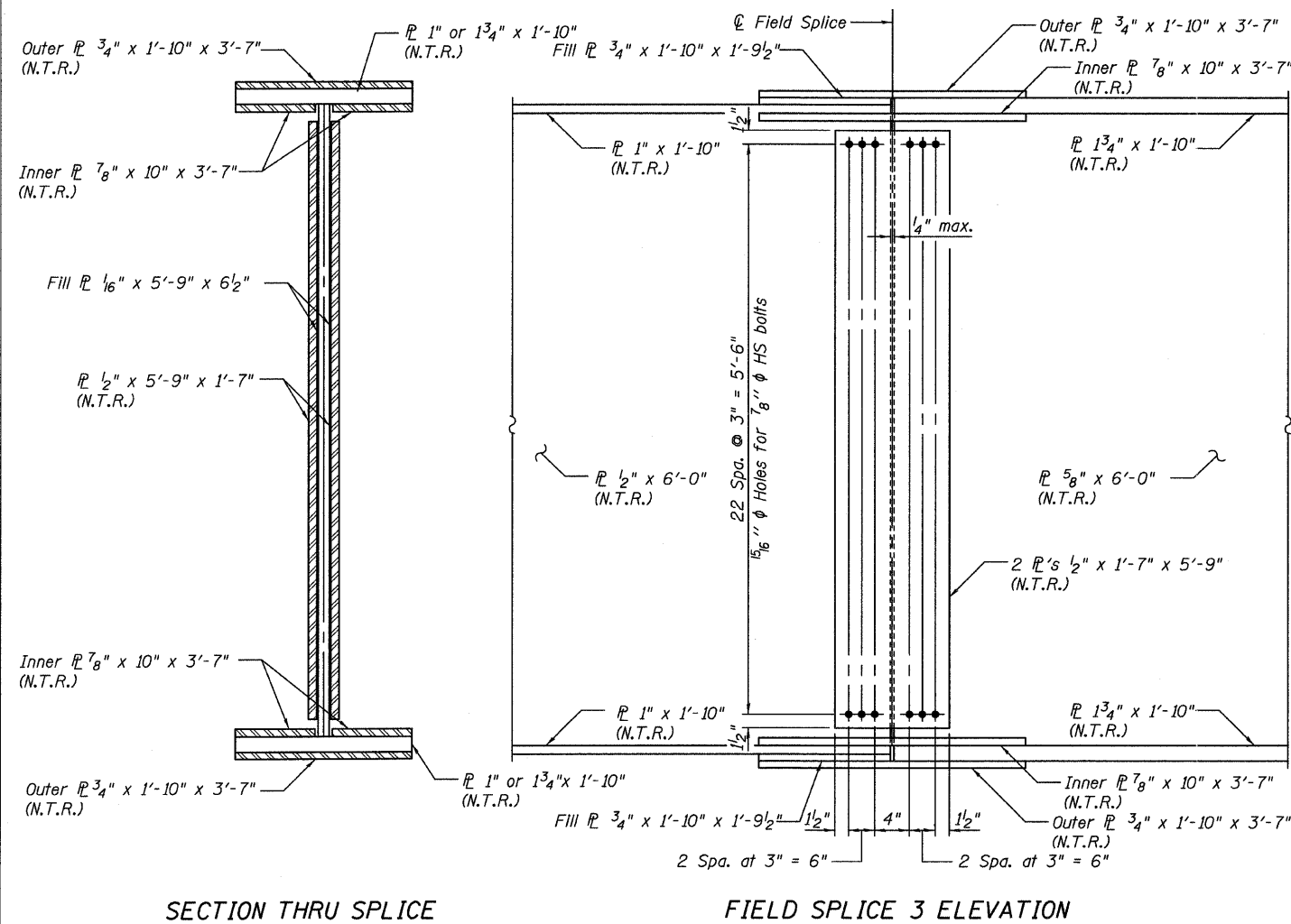
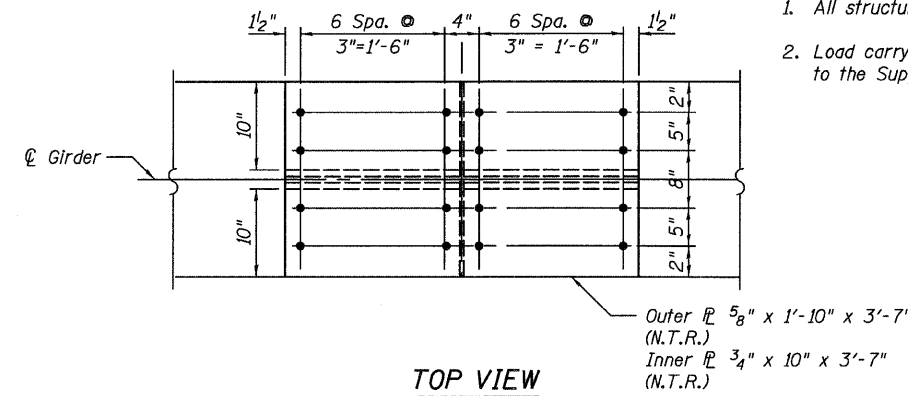
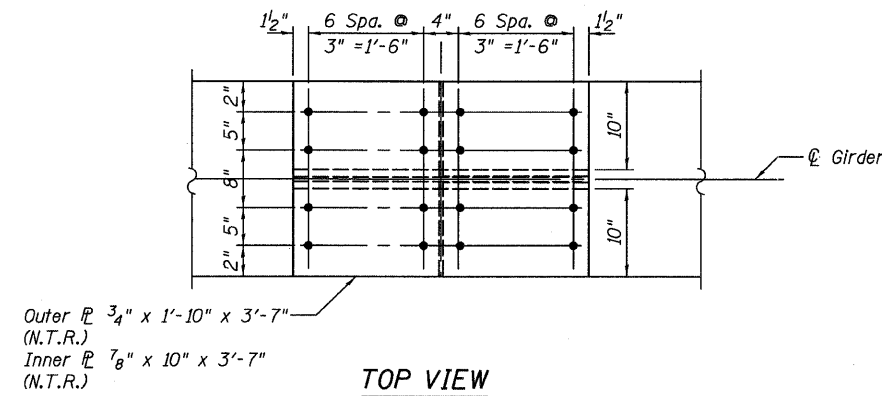


STATE OF ILLINOIS
DEPARTMENT OF TRANSPORTATION

NOTES:

- All structural steel shall be AASHTO M 270 Grade 50.
- Load carrying components designated 'N.T.R.' shall conform to the Supplemental Requirements for Notch Toughness, Zone 2.



FRAMING DETAILS
FIELD SPLICES 3 & 4
STRUCTURE NO. 016-3240

TYLIN INTERNATIONAL	DESIGNED - DY, LS	REVISIONS		SHEET NO. 73	F.A.I. RTE. 55	SECTION 0711.2R & 1011.1BR	COUNTY COOK	TOTAL SHEETS	SHEET NO.
	CHECKED - AMD, LS	NAME	DATE					741	651
	DRAWN - DY, LS							CONTRACT NO. 60999	
	CHECKED - AMD, LS							FED. ROAD DIST. NO. 1 ILLINOIS FED. AID PROJECT	
	DATE - 03/25/2011								

pi:01345\structur\03 North Approach 016-3240\15531framed111.dgn 5/9/2011 9:20:42 AM