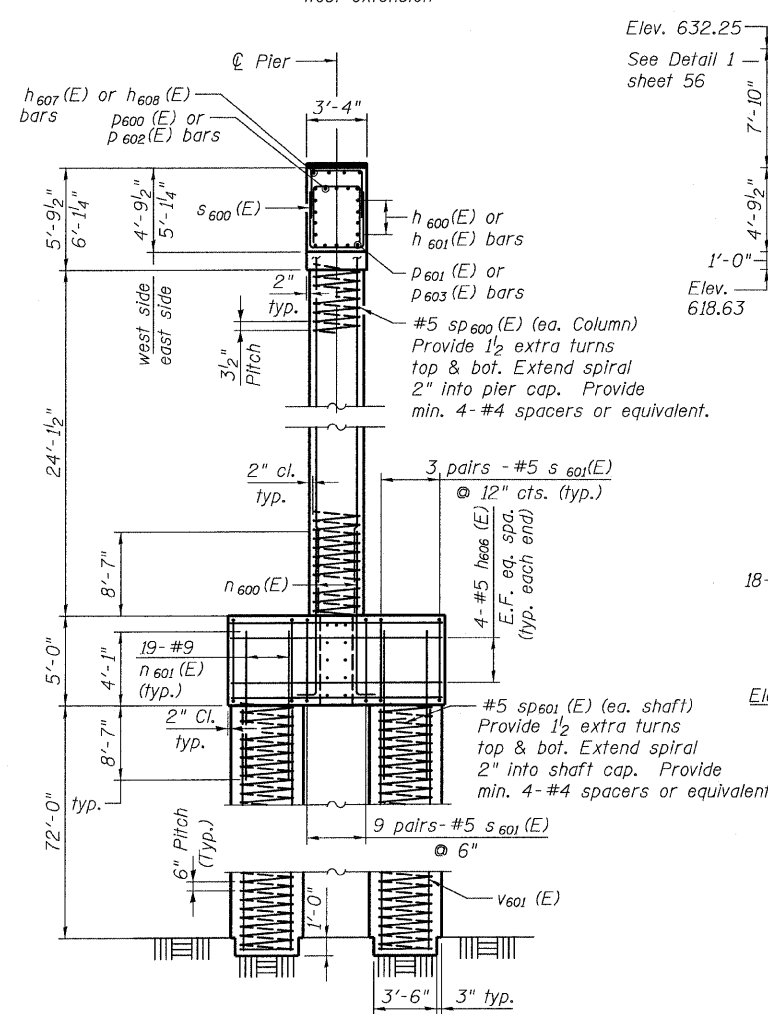
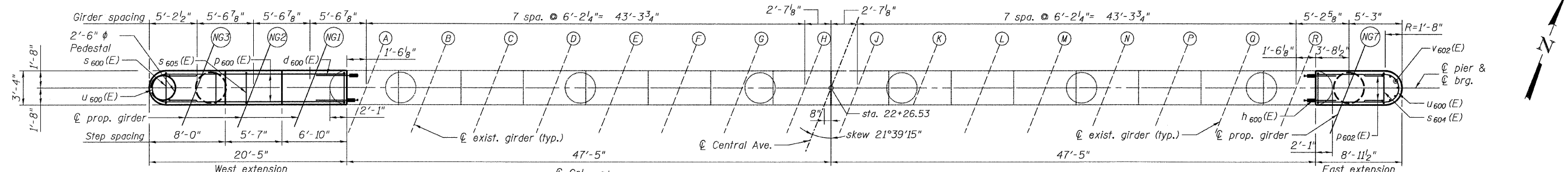


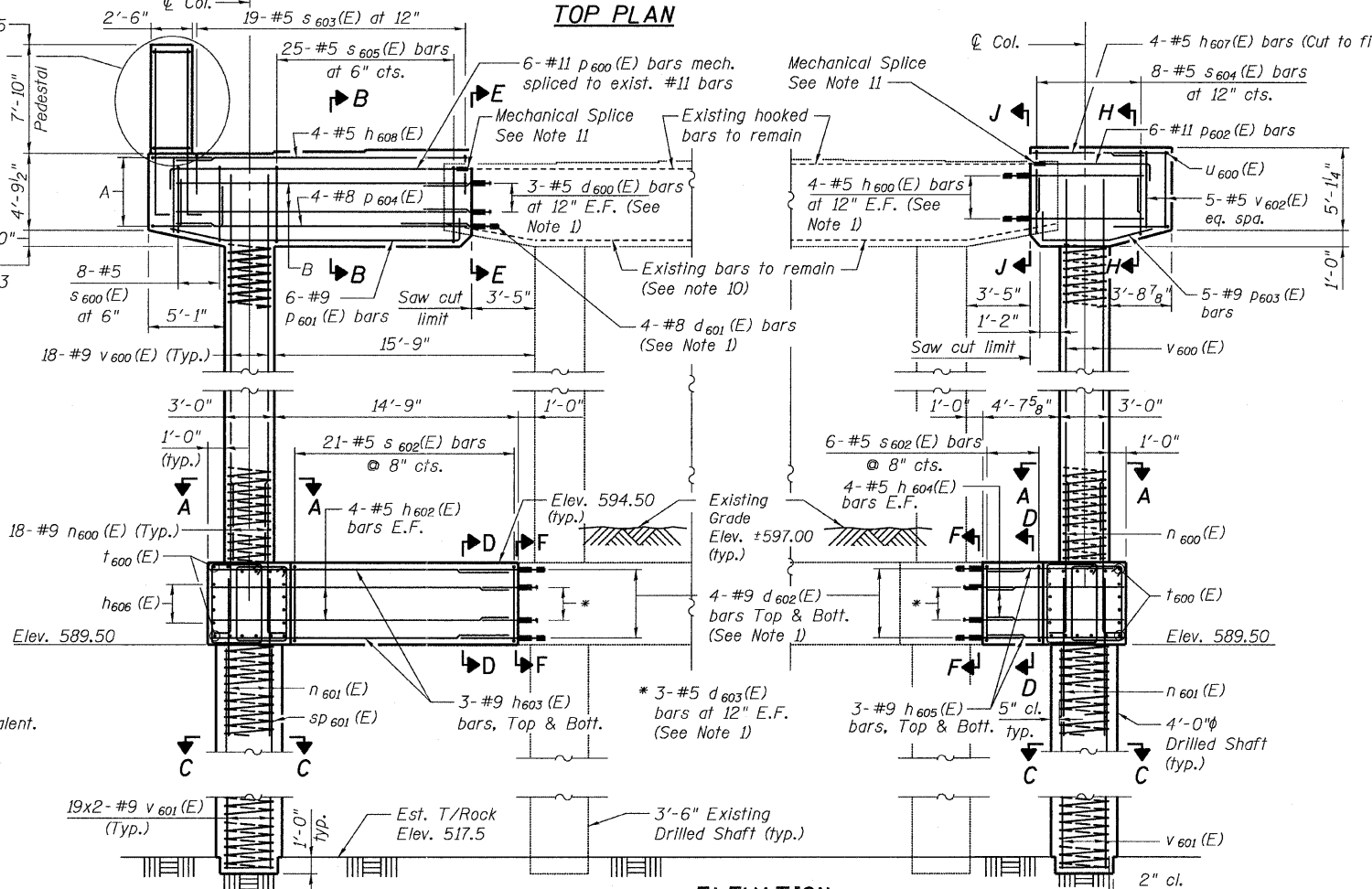
STATE OF ILLINOIS  
DEPARTMENT OF TRANSPORTATION



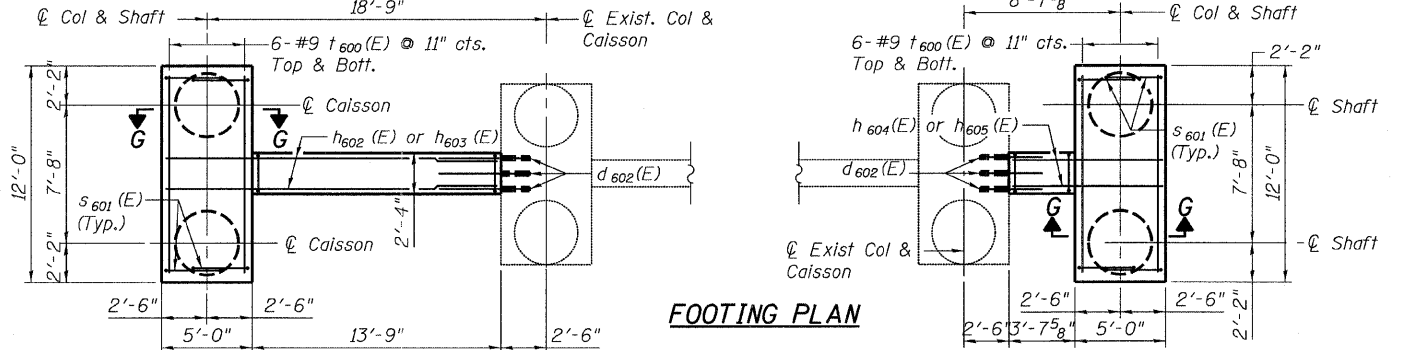
TYPICAL END VIEW

BRIDGE SEAT ELEVATION

Girder Line	Seat Elevation
A	623.63
NG3	624.42
NG2	624.50
NG1	624.61
NG7	624.73



ELEVATION



FOOTING PLAN

MINIMUM DOWEL BAR EMBEDMENT

Size	Embedment
#5 & #6	9"
#8	12"
#9	15"

NOTES

- Epoxy grout d<sub>600</sub>(E) thru d<sub>603</sub>(E) bars & h<sub>600</sub>(E) bars according to Article 584 of the Standard Specifications. Drill to miss existing reinforcement. The epoxy grout and method of application shall be approved by the Engineer. All drilling and grouting of rebar to be included with the cost of "Reinforcement Bars, Epoxy Coated."
- Space reinforcement in pier cap to miss anchor bolts.
- All edges shall have standard 3/4" chamfers excepts as noted.
- For Sections A thru J see sheet 56.
- For Bill of Material see sheet 56.
- E.F. - denotes each Face.
- eq. spa. - denotes equally spaced.
- Existing reinforcement shall be cleaned and incorporated into new construction. Cost included with Concrete Removal.
- Existing reinforcement shall be cleaned and incorporated into new construction. Cost included with Concrete Removal.
- Prior to installation of mechanical splice, cut in field hook on existing reinforcement bar to be spliced. Cost included with Mechanical Splacers.

- A: 5-#6 u<sub>600</sub>(E) bars, Typ. each end  
B: 3-#5 h<sub>601</sub>(E) bars eq. spa. (E.F.)

PIER 7 WIDENING  
STRUCTURE NO. 016-3240

TYLIN INTERNATIONAL

DESIGNED	BY	LS	REVISIONS	NAME	DATE
CHECKED	AMD	LS			
DRAWN	DY	LS			
CHECKED	AMD	LS			
DATE	03/25/2011				

SHEET NO. 55	F.A.I. RTE. 55	SECTION 0711.2R & 1011.1BR	COUNTY COOK	TOTAL SHEETS 741	SHEET NO. 658
73 SHEETS	FED. ROAD DIST. NO. 1 ILLINOIS		FED. AID PROJECT		

5/9/2011 9:20:47 AM