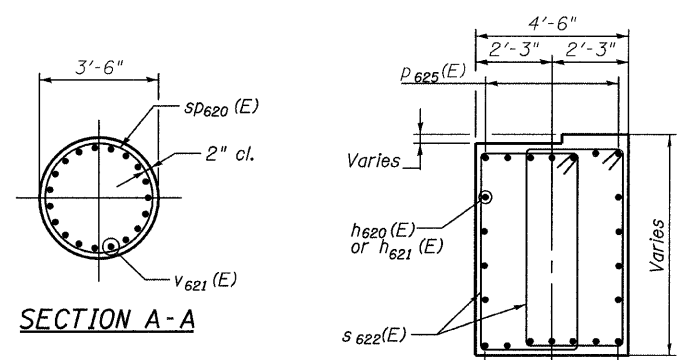
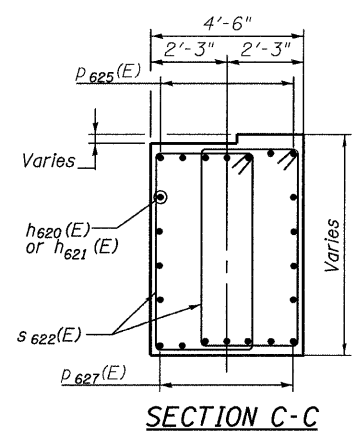


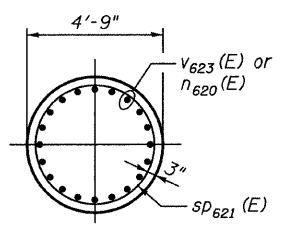
STATE OF ILLINOIS  
DEPARTMENT OF TRANSPORTATION



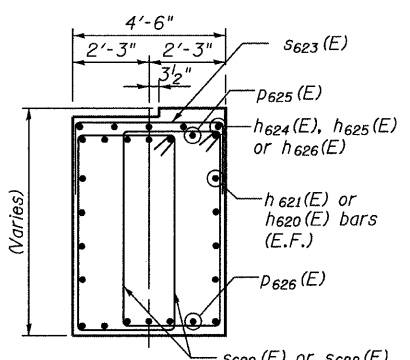
SECTION A-A



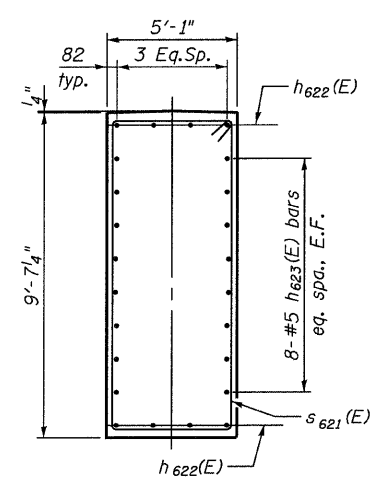
SECTION C-C



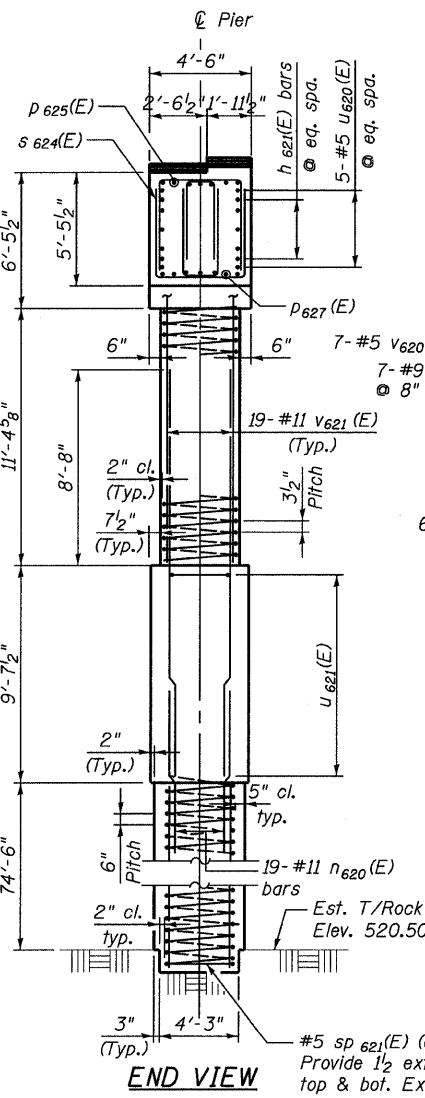
SECTION B-B



SECTION D-D

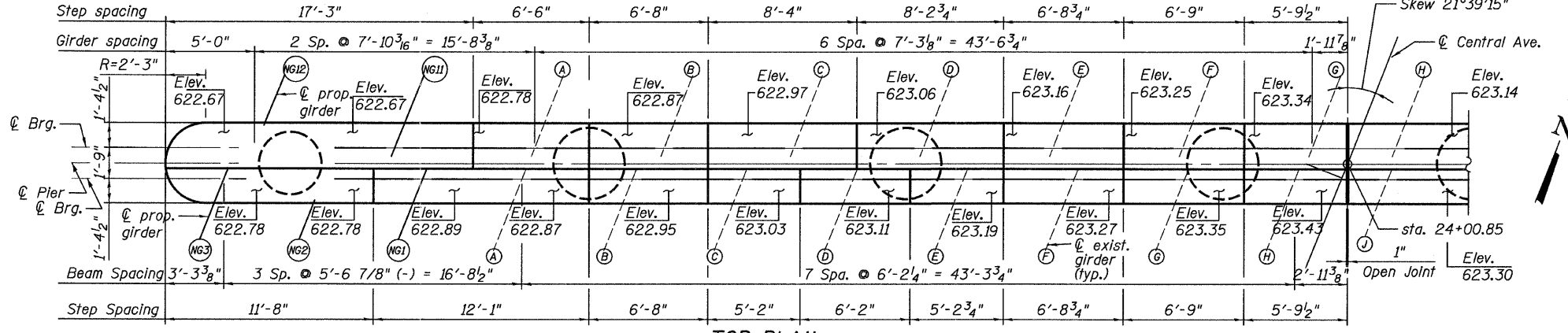


SECTION F-F

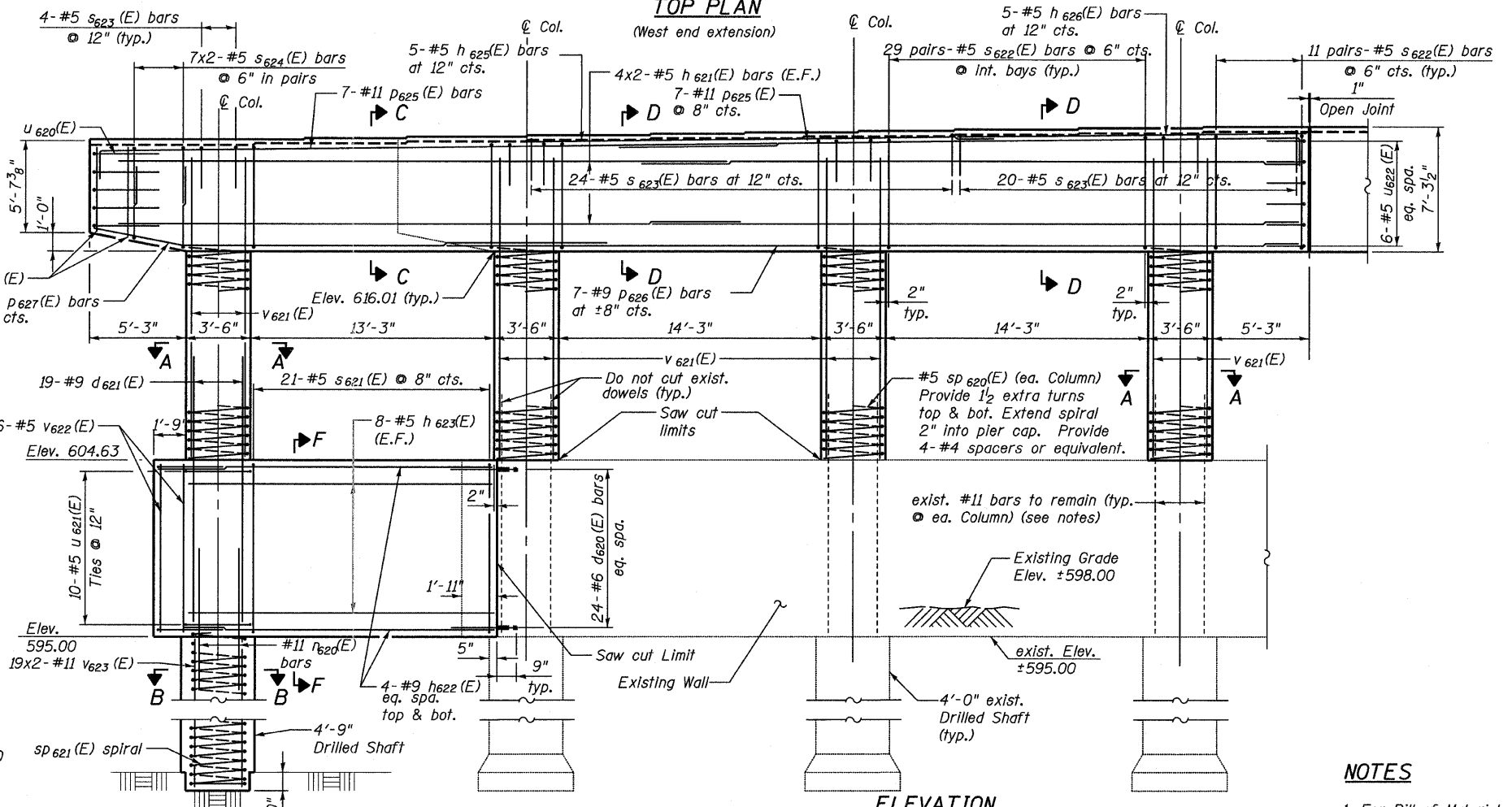


END VIEW

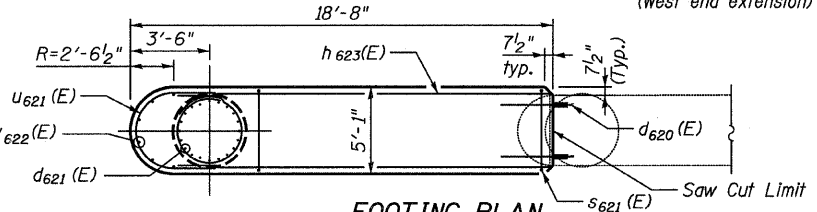
#5 SP621(E) (ea. Shaft)  
Provide 1/2 extra turns  
top & bot. Extend Spiral  
3" into shaft cap. Provide  
4-#4 spacers or equivalent.



TOP PLAN



ELEVATION



FOOTING PLAN

NOTES

1. For Bill of Materials see sheet 59.
2. For additional notes see sheet 59.

PIER 9 REPLACEMENT  
& WIDENING - WEST  
STRUCTURE NO. 016-3240

<b>TYLIN INTERNATIONAL</b> DESIGNED - DY, LS CHECKED - AMD, LS DRAWN - DY, LS CHECKED - AMD, LS DATE - 03/25/2011	REVISIONS NAME      DATE		SHEET NO. 60 73 SHEETS	F.A.I. RTE. 55	SECTION 0711.2R & 1011.1BR	COUNTY COOK	TOTAL SHEETS	SHEET NO.
							741	663
							CONTRACT NO. 60999	
							FED. ROAD DIST. NO. 1 ILLINOIS FED. AID PROJECT	