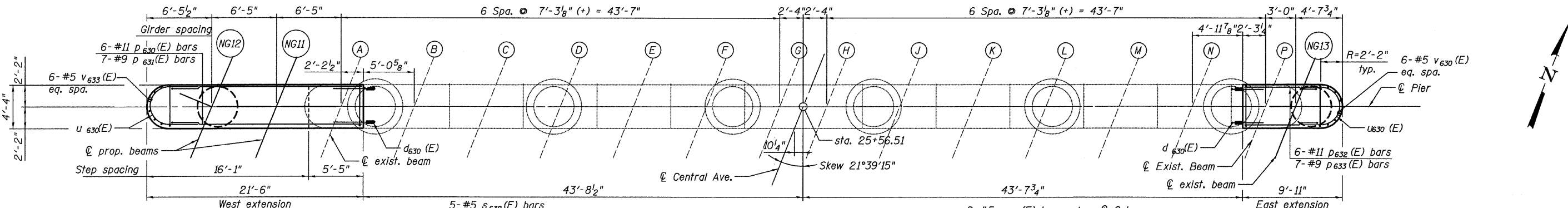
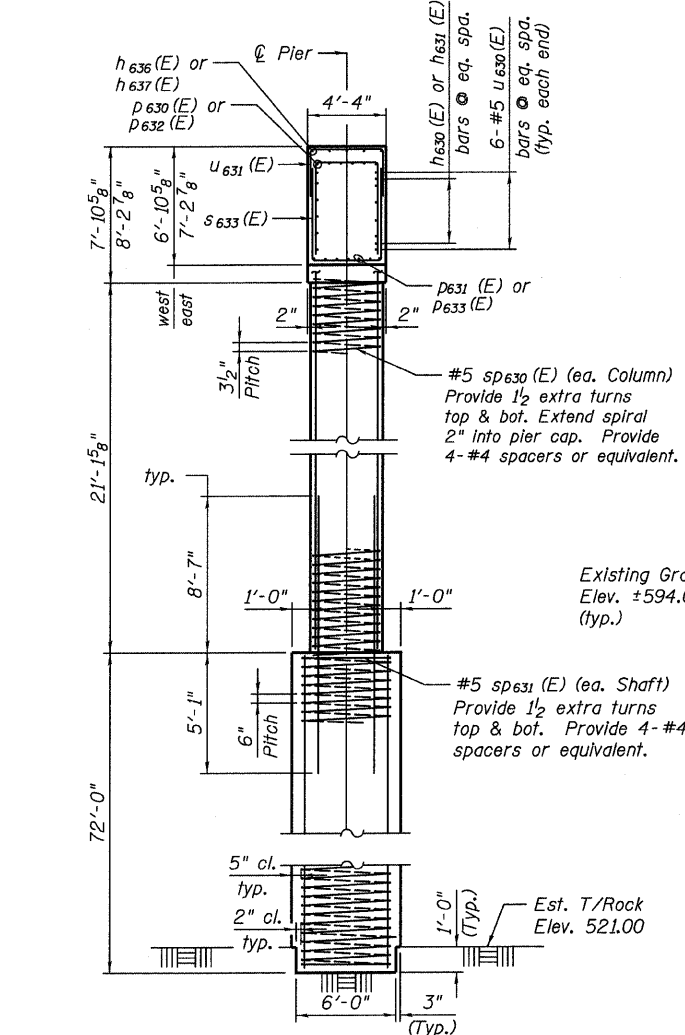


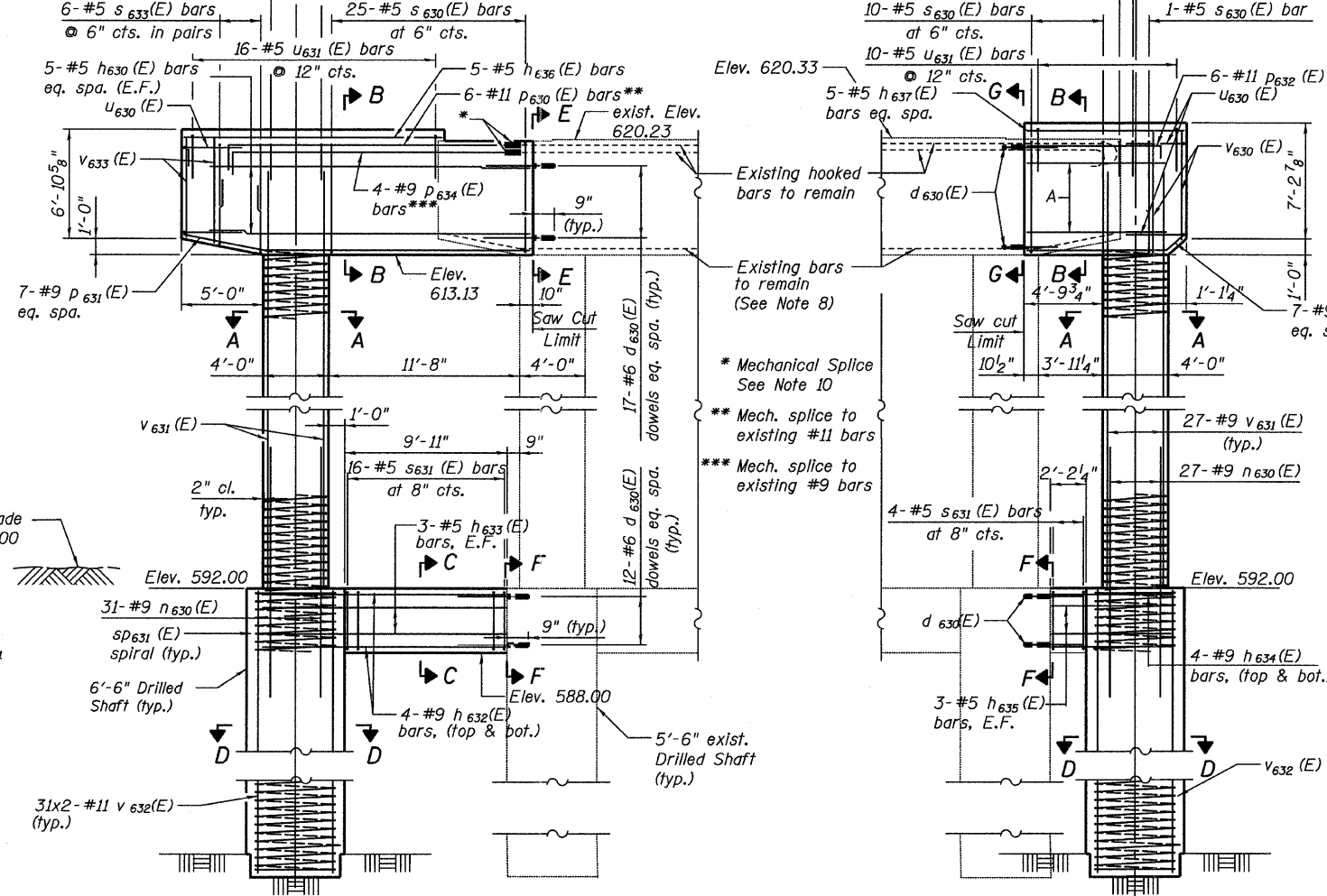
STATE OF ILLINOIS  
DEPARTMENT OF TRANSPORTATION



TOP PLAN



TYPICAL END VIEW

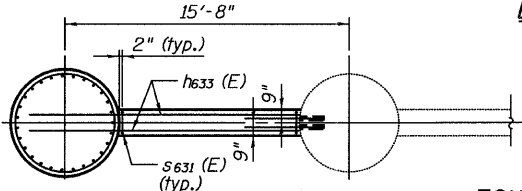


BRIDGE SEAT ELEVATION

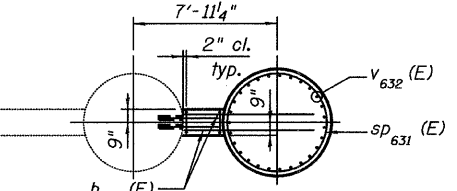
Girder Line	Seat Elevation
NG12	621.02
NG11	621.01
A	620.13
P	621.43
NG13	621.37

NOTES

1. Epoxy grout d630(E) bars according to Article 584 of the Standard Specifications. Drill to miss existing reinforcement. The epoxy grout and method of application shall be approved by the Engineer. All drilling and grouting of rebar to be included with the cost of "Reinforcement Bars, Epoxy Coated."
2. Space reinforcement in cap to miss anchor bolts.
3. All edges shall have standard 3/4" chamfers excepts as noted.
4. For Sections A thru G see sheet 62.
5. For Bill of Materials see sheet 62.
6. E.F. - denotes each face.
7. eq. spa. - denotes equally spaced.
8. Existing reinforcement shall be cleaned and incorporated into new construction. Cost included with Concrete Removal.
9. Cast steps monolithically with cap.
10. Prior to installation of mechanical splice, cut in field hook on existing reinforcement bar to be spliced. Cost included with Mechanical Splicers.



FOUNDATION PLAN



ELEVATION

PIER 10 WIDENING  
STRUCTURE NO. 016-3240

<p><b>TYLIN</b> INTERNATIONAL</p>	DESIGNED - DY, LS	REVISIONS		SHEET NO. 61	F.A.I RTE.	SECTION	COUNTY	TOTAL SHEETS	SHEET NO.										
	CHECKED - AMD, LS	NAME	DATE							73 SHEETS	55	0711.2R & 1011.1BR	COOK	741	664				
	DRAWN - DY, LS															CONTRACT NO. 60999			
	CHECKED - AMD, LS															FED. ROAD DIST. NO. 1 ILLINOIS FED. AID PROJECT			
	DATE - 03/25/2011																		

9/20/10 5:41 AM  
pi\_101345\structure\016-3240\1011.1BR\PIER10.dgn