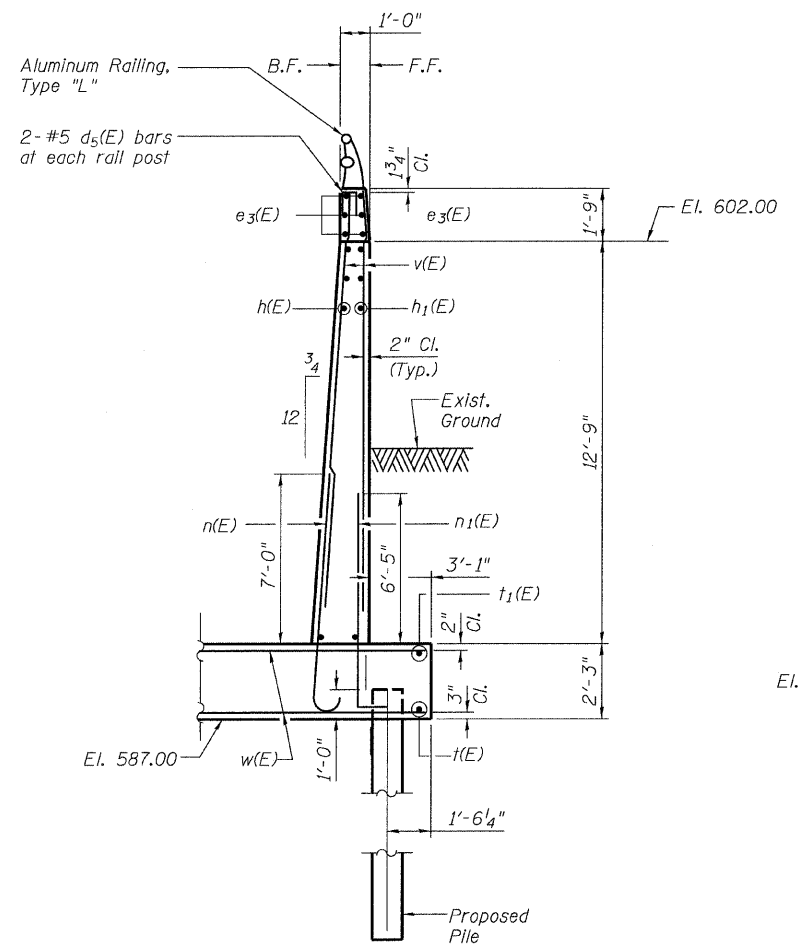


STATE OF ILLINOIS
DEPARTMENT OF TRANSPORTATION

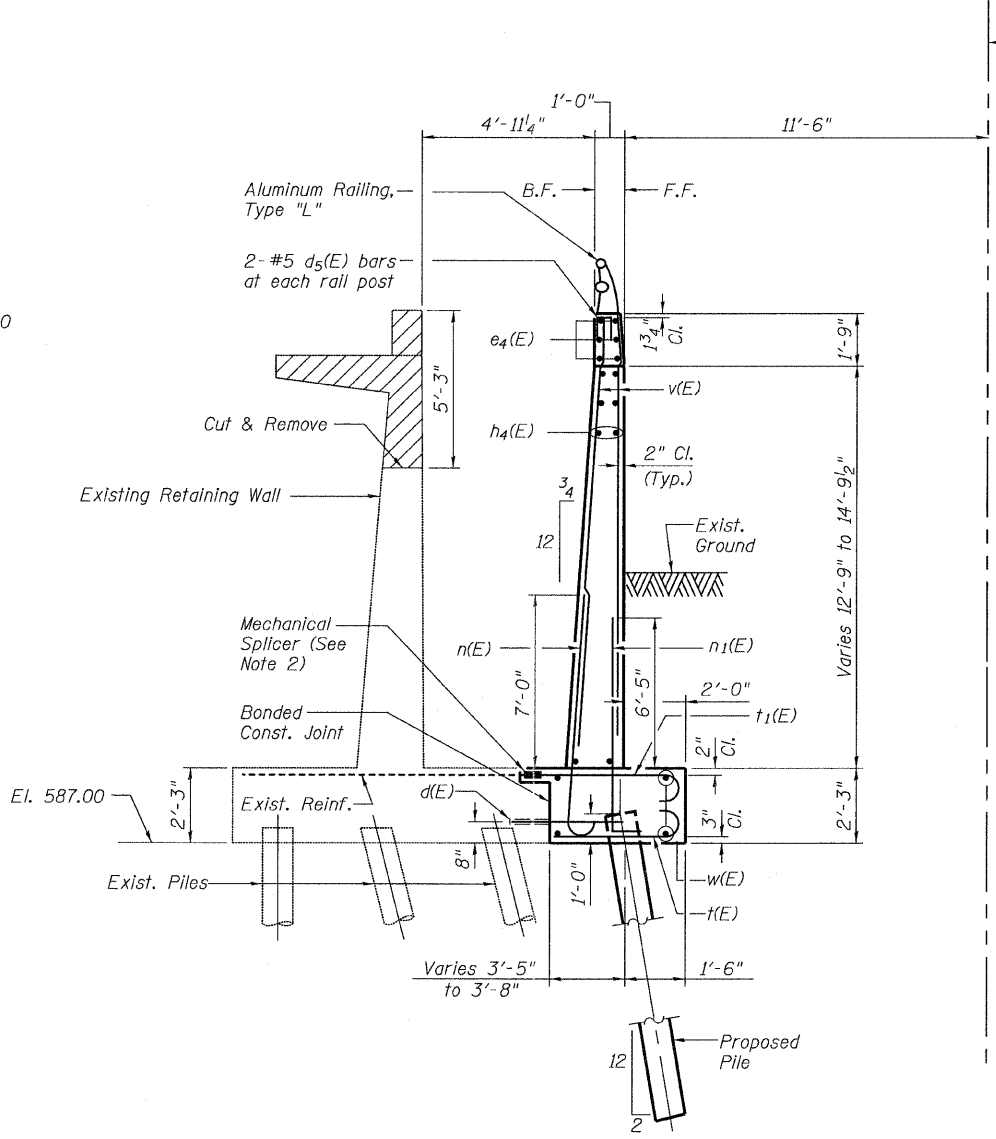
LEGEND

F.F. - denotes Front Face
B.F. - denotes Back Face
E.F. - denotes Each Face

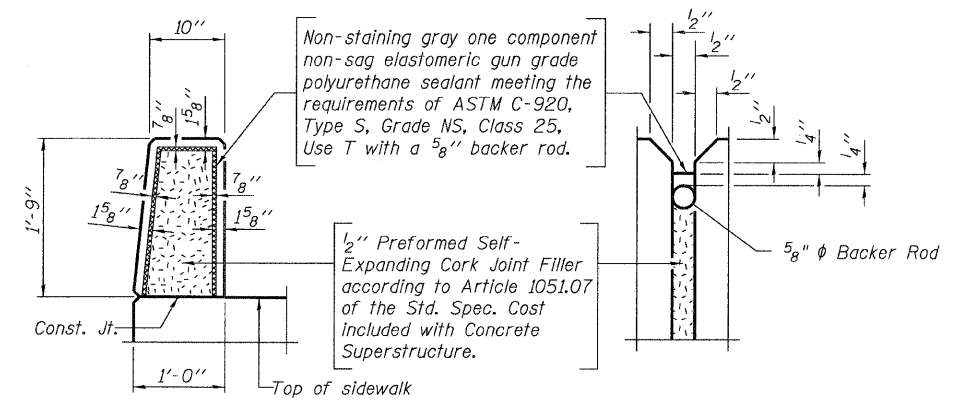
Concrete Removal



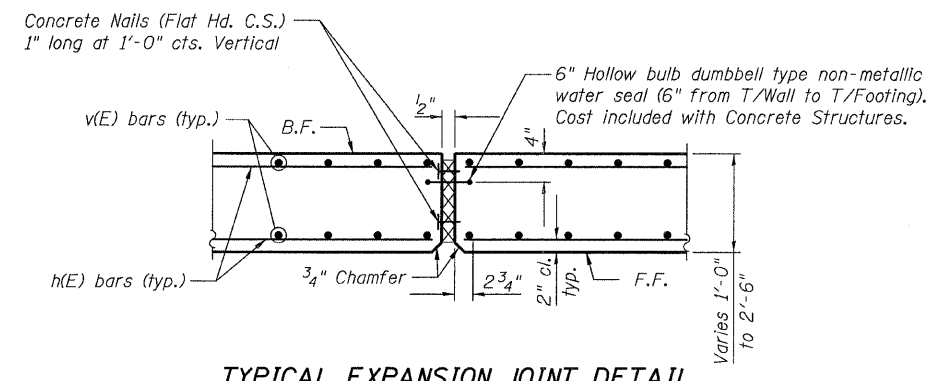
SECTION A-A
Sta. 10+56.16



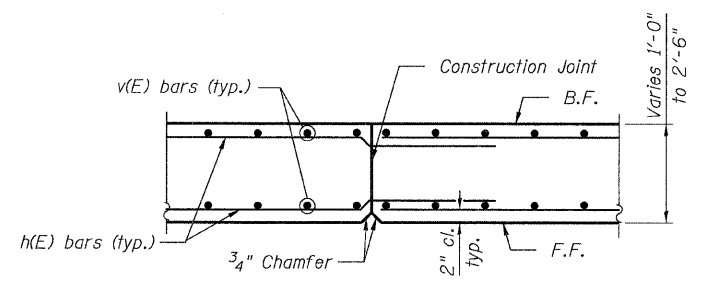
SECTION B-B
Sta. 10+56.16 to Sta. 11+18.16



PARAPET EXPANSION JOINT DETAIL



TYPICAL EXPANSION JOINT DETAIL



CONSTRUCTION JOINT DETAILS

NOTES

1. Epoxy grout d(E) bars according to Article 584 of the Standard Specifications. Drill to miss existing reinforcement. The epoxy grout and method of application shall be approved by the Engineer. All work shall be included in the Unit Bid Price for "Reinforcement Bars, Epoxy Coated."
2. Localized concrete removal as required to permit mechanical splicing of bars shown. Cost included with Concrete Removal.
3. Existing reinforcement shall be cleaned and incorporated into new construction. Cost included with Concrete Removal.

**WALL CROSS-SECTIONS
AND DETAILS 1
STRUCTURE NO. 016-W821**

TYLIN INTERNATIONAL	DESIGNED - MMB	REVISIONS		SHEET NO. 8	F.A.I. RTE.	SECTION	COUNTY	TOTAL SHEETS	SHEET NO.	
	CHECKED - AMD,	NAME	DATE		55	0711.2R & 1011.1BR	COOK	741	684	
	DRAWN - MMB				16 SHEETS	CONTRACT NO. 60999				
	CHECKED - AMD,					FED. ROAD DIST. NO. 1 ILLINOIS FED. AID PROJECT				
	DATE - 03/25/2011									

4:25:47 PM

pr:\01345\structure\Retaining Wall\ret55wallsect.dgn

5/10/2011