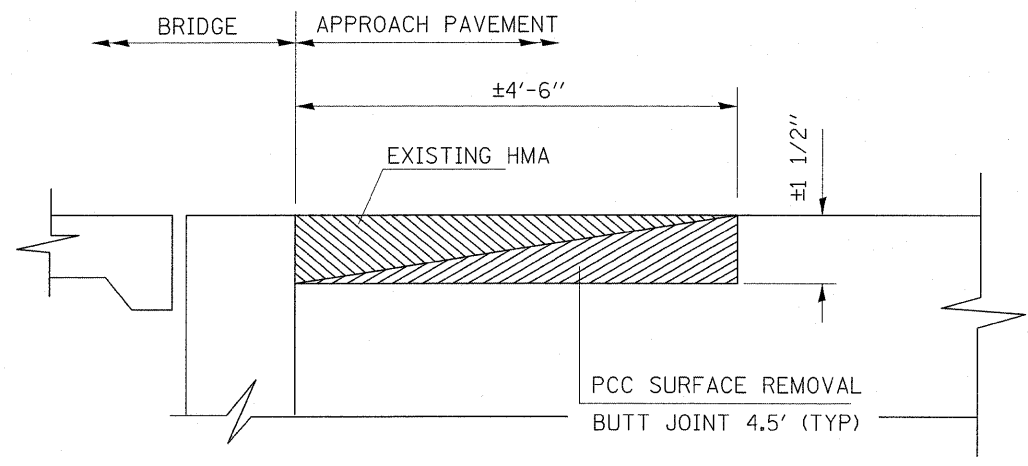
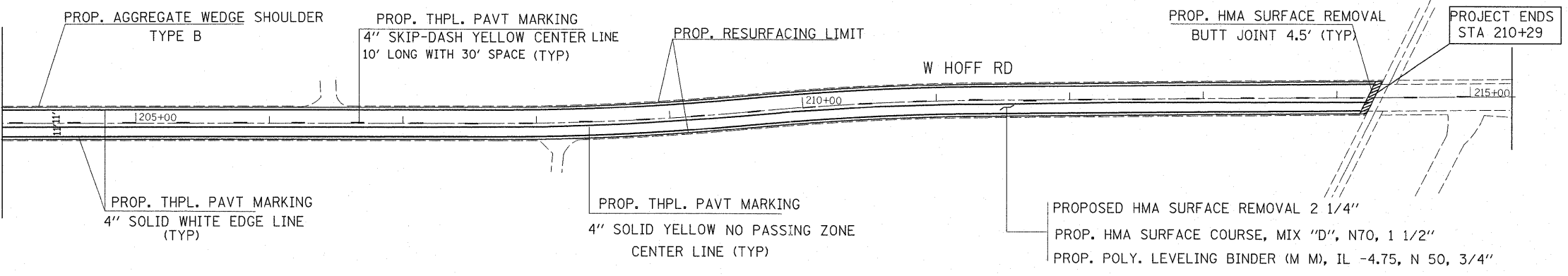


204+00



DETAIL A

- 1 EXIST. TERMINAL SECTION TO BE REPLACED WITH NEW TYPE 1 (SPECIAL) - TANGENT 50 FT LONG, SEE STD 630301 & DISTRICT DETAIL (BD-34).
- OTHER PAY ITEMS WITH QUANTITIES ESTIMATED FOR THIS AREA INCLUDE:
- REMOVAL AND DISPOSAL OF UNSUITABLE MATERIAL;
 - FURNISHED EXCAVATION;
 - TOP SOIL FURNISH AND PLACE, 4";
 - SEEDING, CLASS 2A;
 - NITROGEN FERTILIZER NUTRIENT;
 - PHOSPHORUS FERTILIZER NUTRIENT;
 - POTASSIUM FERTILIZER NUTRIENT;
 - EROSION CONTROL BLANKET;
 - AGGREGATE SHOULDER, TYPE B-6";
 - GUARDRAIL REMOVAL;

FILE NAME =	USER NAME = gorengautab	DESIGNED -	REVISED -	STATE OF ILLINOIS DEPARTMENT OF TRANSPORTATION	OR 0297 /HOFF RD (OLD CHICAGO RD TO CMSTR&P RR) ROADWAY AND PAVEMENT MARKING PLANS	OR	SECTION	COUNTY	TOTAL	SHEET	
ci\pw_work\pwsdot\gorengautab\0208530	163810-ahp-plan.dgn	DRAWN -	REVISED -			0297	1G-RS-2	WILL	17	10	
	PLOT SCALE = 50.0000' / IN.	CHECKED -	REVISED -			CONTRACT NO. 60L10					
	PLOT DATE = 4/12/2011	DATE -	REVISED -			ILLINOIS FED. AID PROJECT					