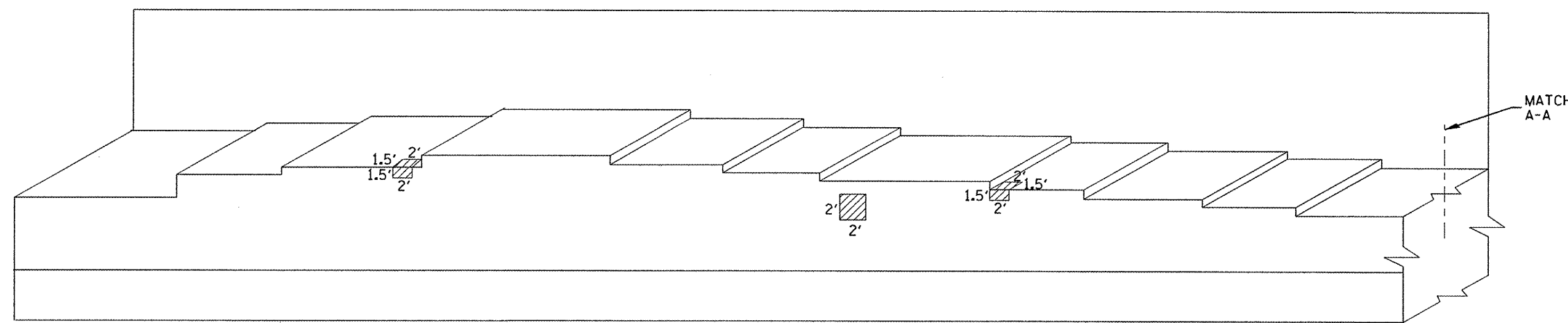


ELEVATION VIEW
IL 83 SB
LOOKING SOUTH



ELEVATION VIEW
IL 83 NB
LOOKING SOUTH

- STRUCTURAL REPAIR OF CONCRETE > 5"
- STRUCTURAL REPAIR OF CONCRETE ≤ 5"

SOUTH ABUTMENT BILL OF MATERIAL		UNIT	QUANTITY
STRUCTURAL REPAIR OF CONCRETE ≤ 5"		SOFT	51
STRUCTURAL REPAIR OF CONCRETE > 5"		SOFT	16