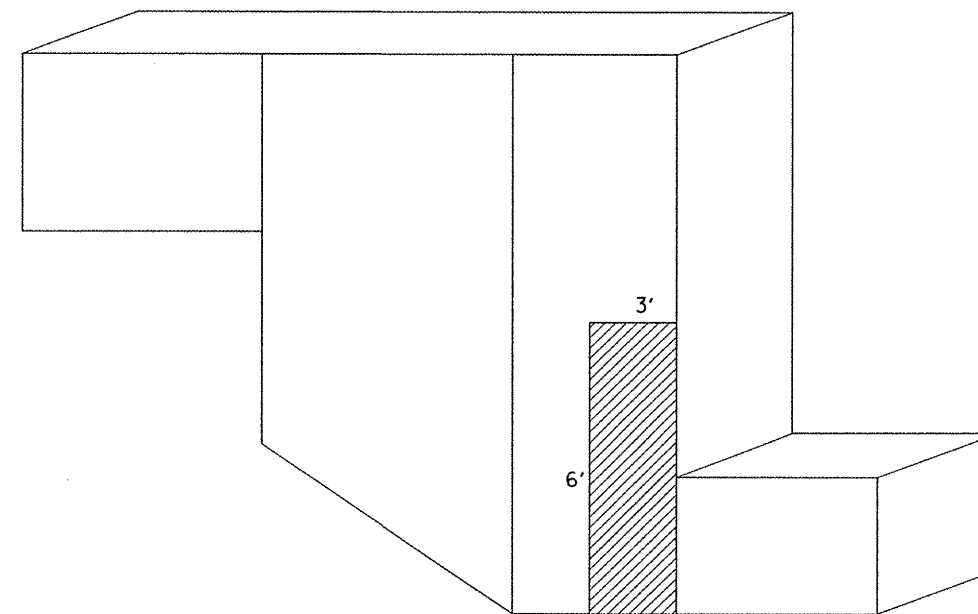


N.E. WINGWALL



S.E. WINGWALL

- STRUCTURAL REPAIR OF CONCRETE > 5"
- STRUCTURAL REPAIR OF CONCRETE ≤ 5"

PIER 2 BILL OF MATERIAL	UNIT	QUANTITY
STRUCTURAL REPAIR OF CONCRETE ≤ 5"	SOFT	18
STRUCTURAL REPAIR OF CONCRETE > 5"	SOFT	18

FILE NAME =	USER NAME = nothenbc	DESIGNED - TO	REVISED -
c:\pwork\pwork\pwork\nothenbc\025810\1\17810-sht-plan.dgn		DRAWN - TO	REVISED -
PLOT SCALE = 100.0000' / IN.		CHECKED - BN	REVISED -
PLOT DATE = 5/12/2011		DATE - 05-09-2011	REVISED -

**STATE OF ILLINOIS
DEPARTMENT OF TRANSPORTATION**

WINGWALL STRUCTURE REPAIRS

SCALE:	SHEET NO.	OF	SHEETS	STA.	TO STA.	F.A.P. RTE.	SECTION	COUNTY	TOTAL SHEETS	SHEET NO.
						344	543 R-HB-BR	DUPAGE	19	13
								CONTRACT NO. 60L52		
ILLINOIS FED. AID PROJECT										