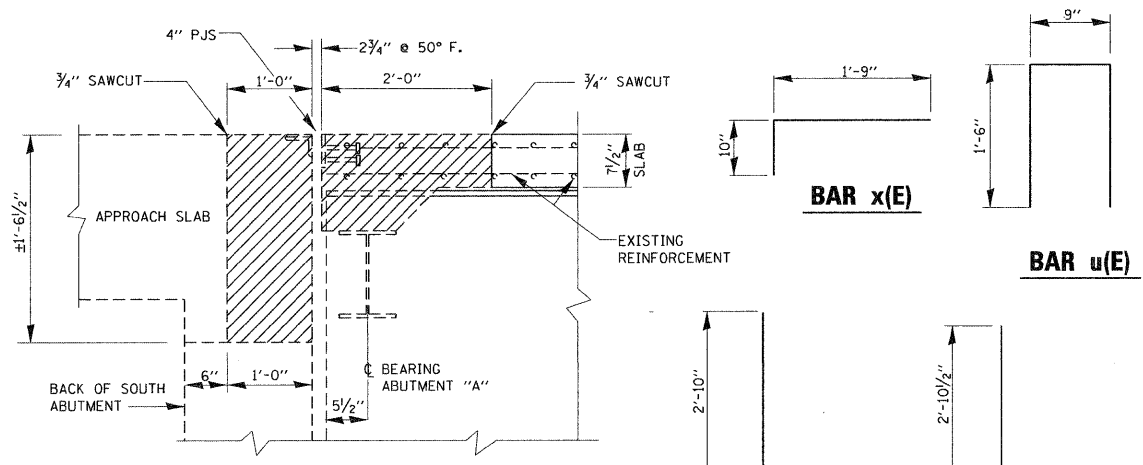
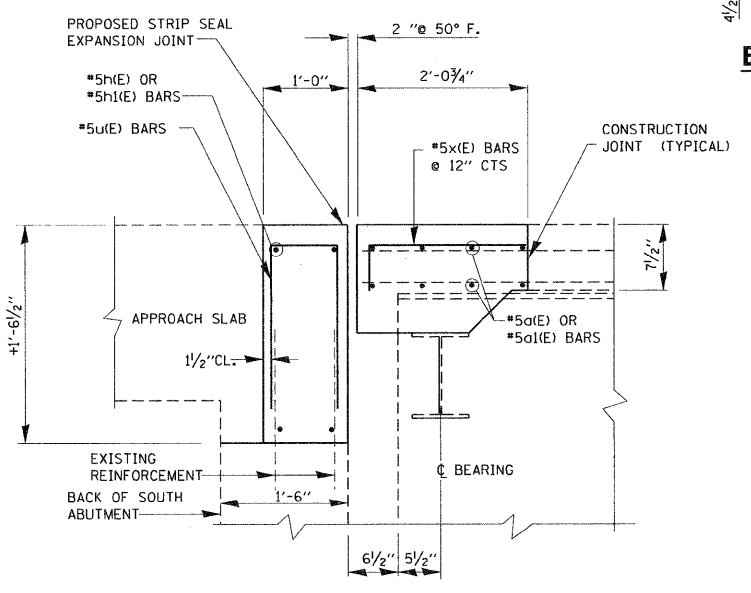


TRANSVERSE EXPANSION JOINT
(SOUTH ABUTMENT "A")



SECTION A-A
(EXISTING)



SECTION A-A
(PROPOSED)

BILL OF MATERIALS

BAR	NO.	SIZE	LENGTH	SHARE
a(E)	8	#5	26'-9"	
a1(E)	8	#5	23'-0"	
a2(E)	6	#6	4'-0"	
c(E)	3	#5	5'-9"	
c1(E)	3	#5	2'-1"	
d1(E)	4	#4	3'-9"	
d2(E)	4	#4	4'-0"	
d3(E)	4	#6	3'-9"	
d4(E)	4	#5	3'-7"	
h(E)	4	#5	26'-11"	
h1(E)	4	#5	23'-2"	
u(E)	51	#5	3'-7"	
x(E)	43	#5	2'-7"	
REINFORCEMENT BARS (EPOXY COATED)			POUND	1056
CONCRETE REMOVAL			CU.YD.	7.3
CONCRETE SUPERSTRUCTURE			CU.YD.	7.3

BAR x(E)

BAR u(E)

BAR d2(E)

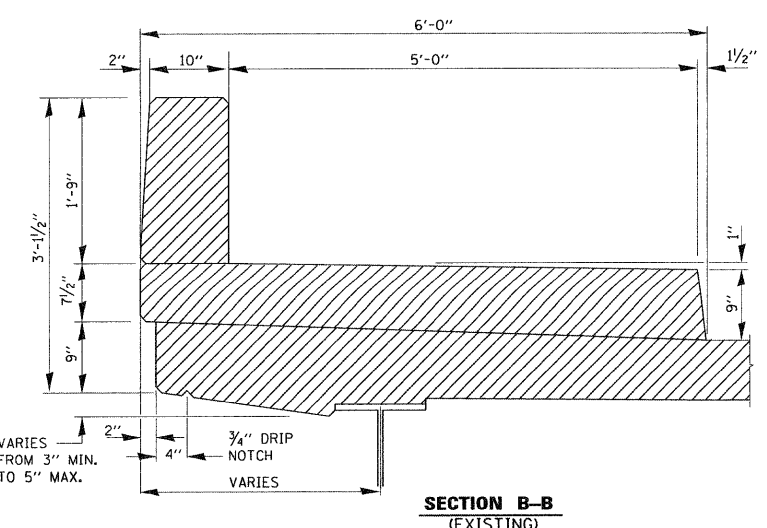
BAR d3(E)

BAR d1(E)

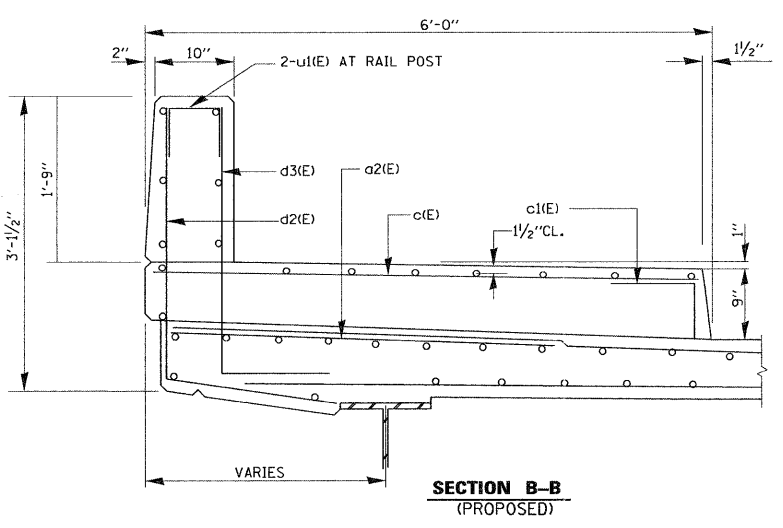
BAR d4(E)

BAR c1(E)

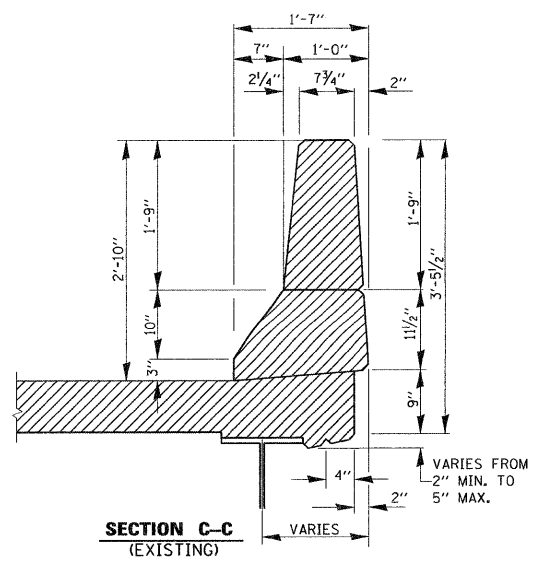
LEGEND:
 HATCHED AREA INDICATES CONCRETE REMOVAL



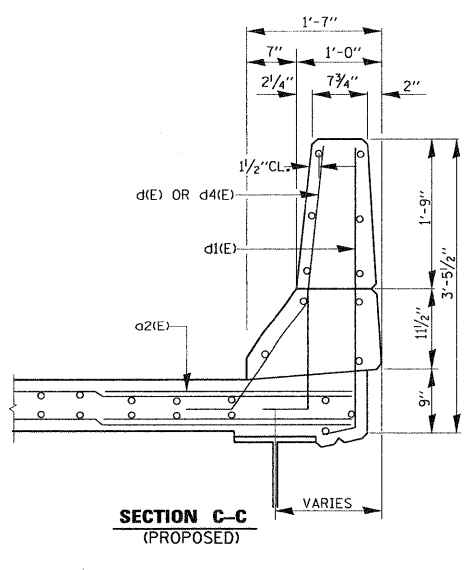
SECTION B-B
(EXISTING)



SECTION B-B
(PROPOSED)



SECTION C-C
(EXISTING)



SECTION C-C
(PROPOSED)