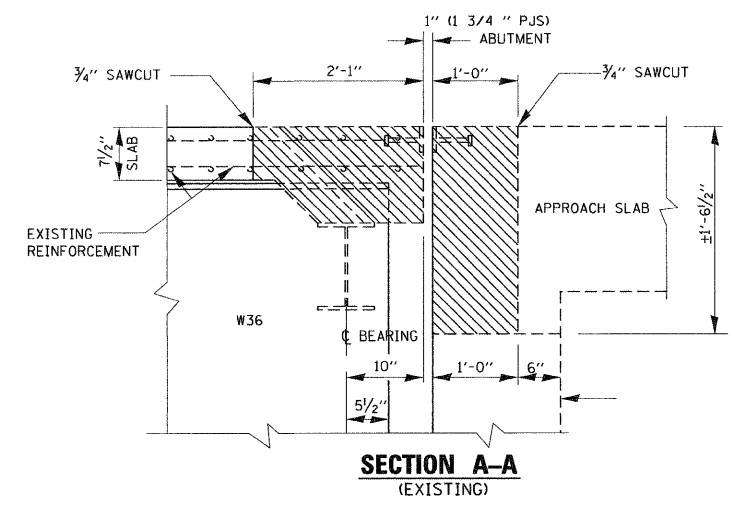
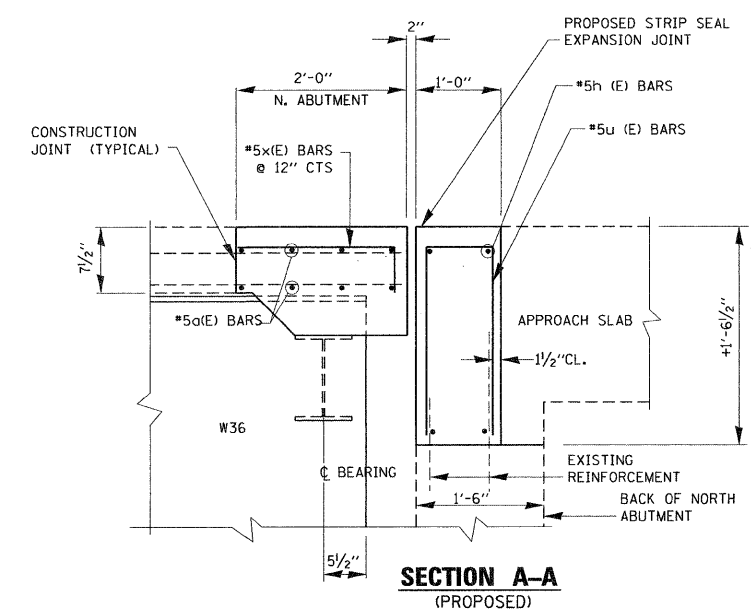


**NOTE:**  
2" TO EDGE PARAPET FROM  
EDGE OF DECK

**TRANSVERSE EXPANSION JOINT**  
(NORTH ABUTMENT "B")



**SECTION A-A**  
(EXISTING)



**SECTION A-A**  
(PROPOSED)

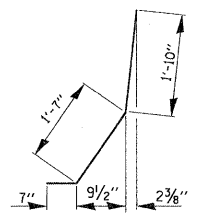
**BILL OF MATERIALS**

BAR	NO.	SIZE	LENGTH	SHARE
a2(E)	16	#5	37'-0"	
a1(E)	8	#5	23'-0"	
a2(E)	5	#6	4'-0"	
c(E)	5	#5	4'-9"	
c1(E)	5	#5	2'-6"	
d(E)	6	#5	4'-0"	
d1(E)	6	#4	3'-9"	
d2(E)	6	#4	4'-0"	
d3(E)	6	#6	3'-9"	
h1(E)	4	#5	23'-2"	
h2(E)	8	#5	38'-0"	
u(E)	87	#5	3'-7"	
x(E)	63	#5	3'-7"	
REINFORCEMENT BARS (EPOXY COATED)			POUND	1905
CONCRETE REMOVAL			CU.YD.	12
CONCRETE SUPERSTRUCTURE			CU.YD.	12

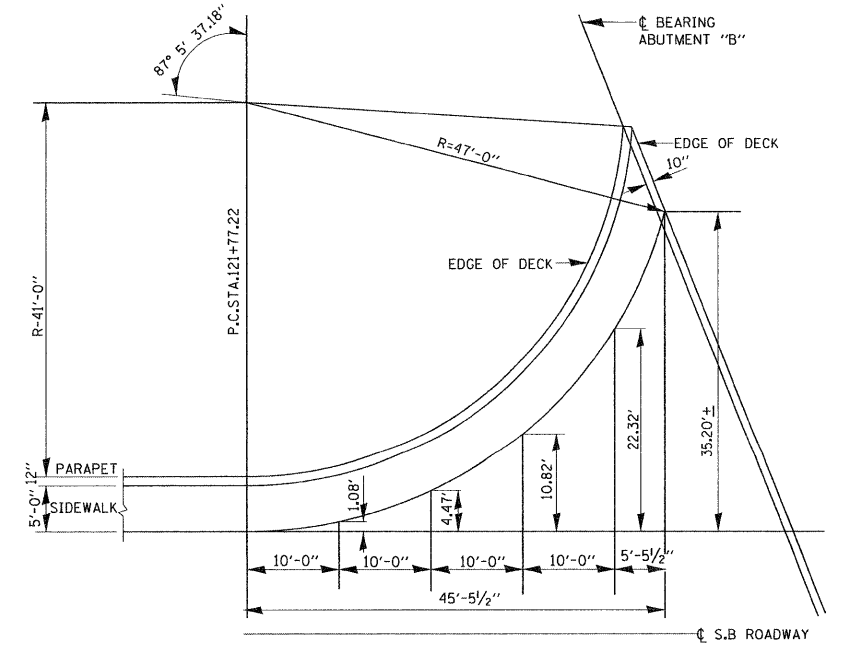
BARS INDICATED THUS 4x2-#5 ETC. INDICATES 4 LINES OF BARS WITH 2 LENGTHS PER LINE.

**MINIMUM BAR LAP**

SIZE	LAP
#5	2'-6"



**BAR d(E)**



**GEOMETRY OF CURVED DECK**