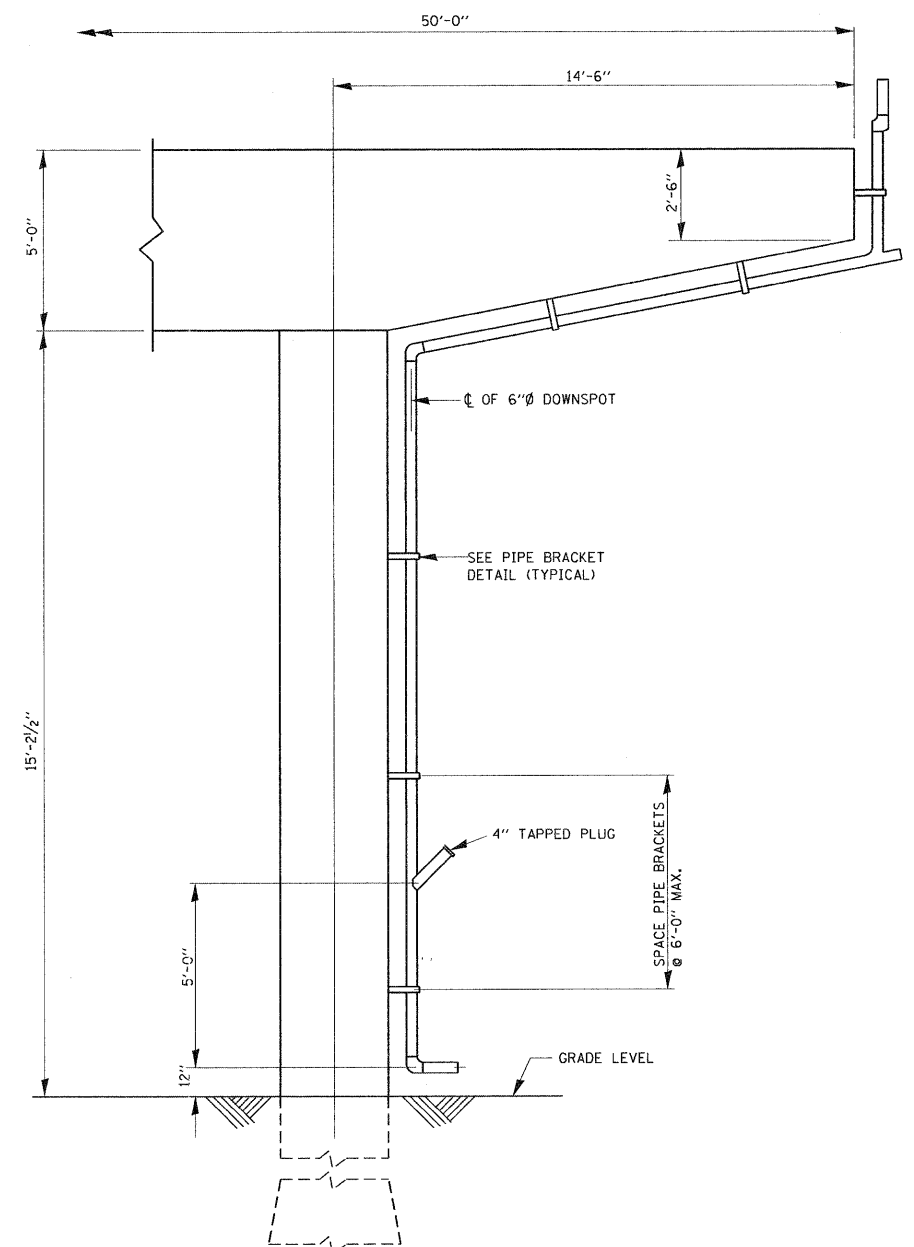
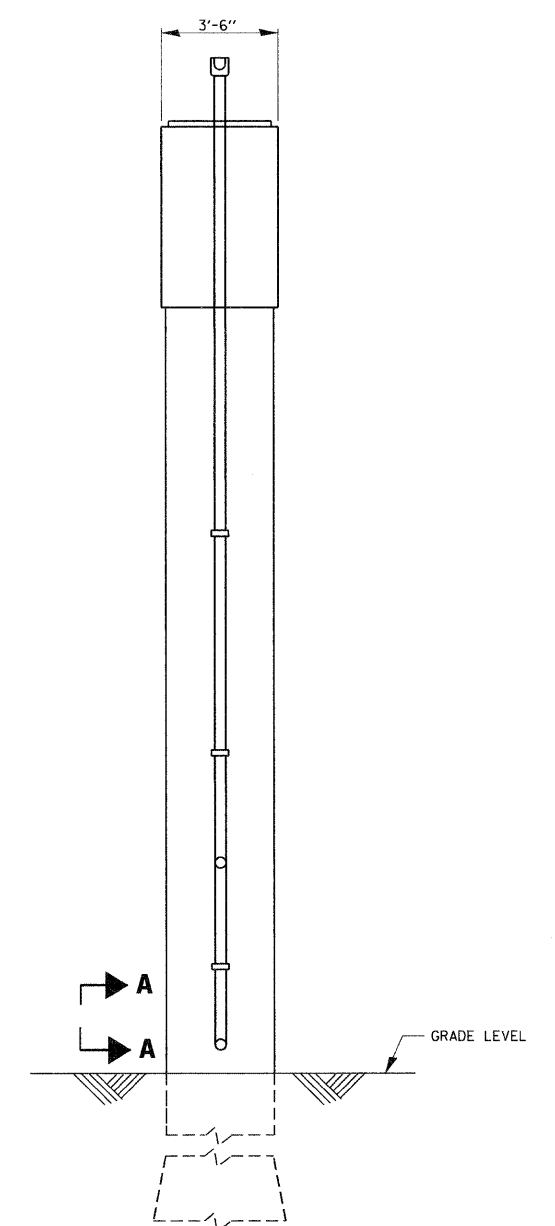


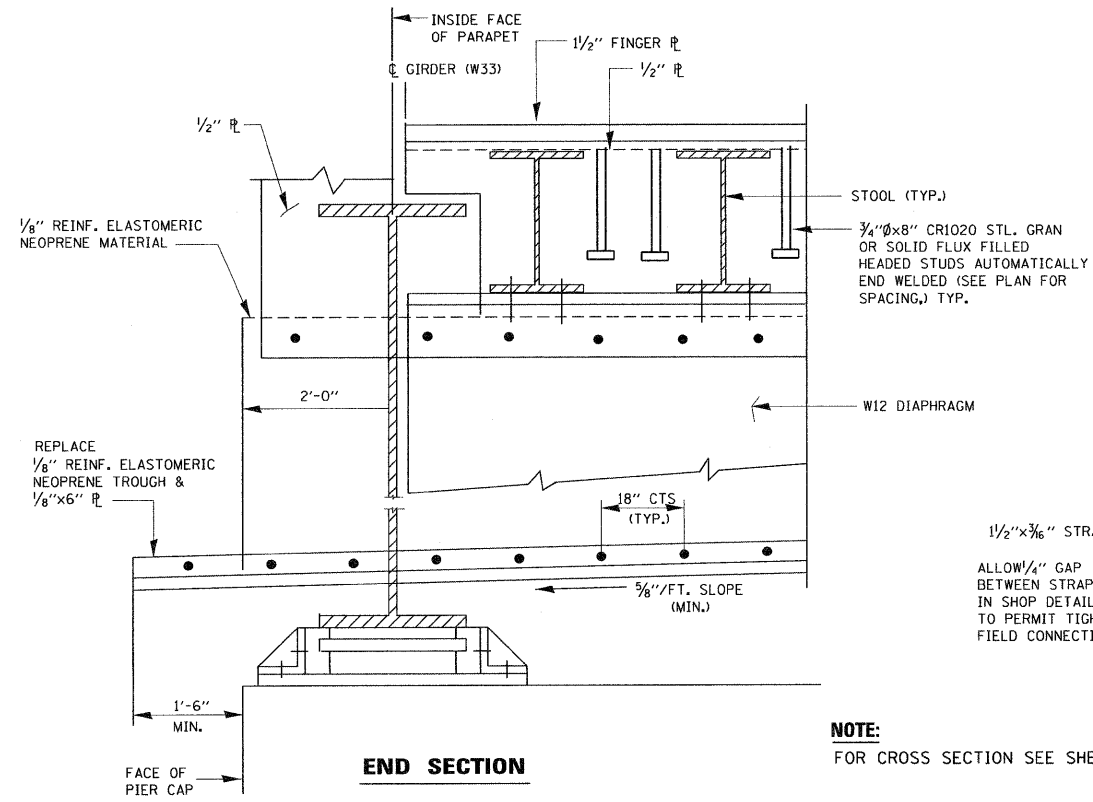
**EXISTING FINGER JOINT TROUGH**  
(PIER NO. 4)



**PIER 4**  
**ELEVATION OF PROPOSED DOWNSPOUT**  
ALL DIMENSIONS TO BE FIELD VERIFIED

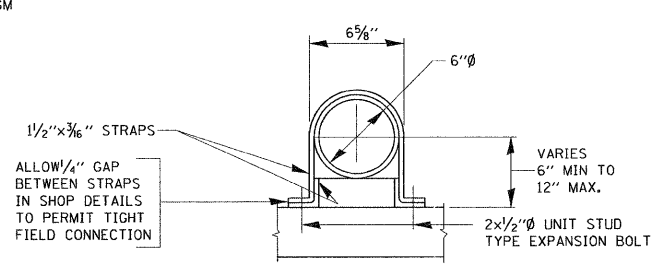


**END VIEW**

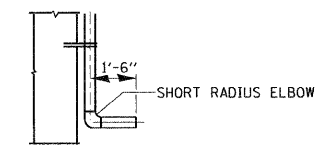


**END SECTION**

**NOTE:**  
FOR CROSS SECTION SEE SHEET 4 OF 12



**PIPE BRACKET DETAIL**



**VIEW A-A**

**BILL OF MATERIALS**

ITEM	UNIT	QUANTITY
BRIDGE DRAINAGE SYSTEM REPAIRS	FOOT	81

**DRAINAGE REPAIR NOTES**  
THE CONTRACTOR SHALL REPLACE THE FABRIC REINFORCED ELASTOMERIC TROUGH, SPLICES, & STAINLESS STEEL BOLTS WITH WASHERS & NUTS AS DETAILED & ACCORDING TO 520 OF THE STANDARD SPECIFICATIONS. THE LENGTH OF NEOPRENE TROUGH REQUIRED IS INCLUDED IN THE QUANTITY FOR "BRIDGE DRAINAGE SYSTEM REPAIRS". REMOVAL OF EXISTING FINGER PLATE TROUGH & ANY DEBRIS IS INCLUDED IN THE COST OF "BRIDGE DRAINAGE SYSTEM REPAIRS".