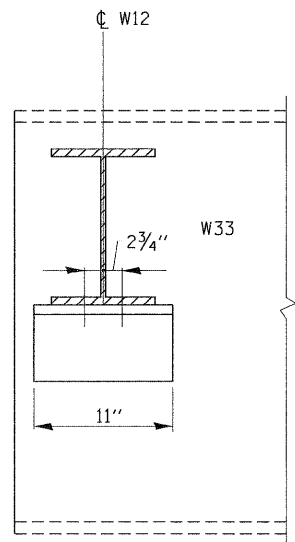
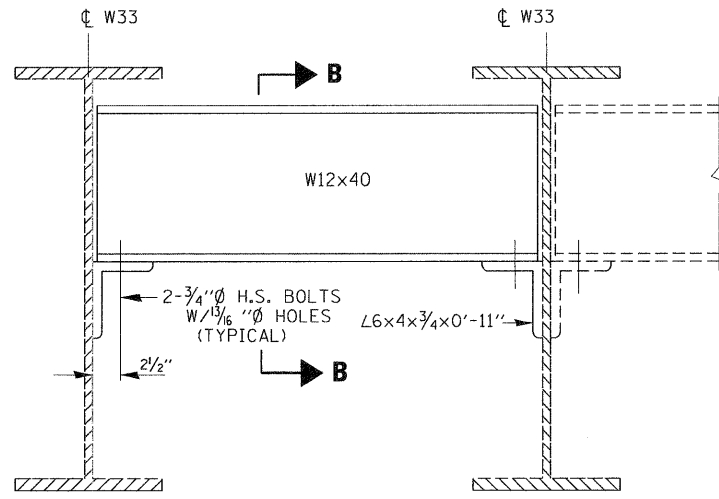


FRAMING PLAN



SECTION B-B



SECTION A-A

NOTE:
FOR STRUCTURAL STEEL REPAIR
SEE SHEET NO. 13 OF 36.

FILE NAME =	USER NAME = ttnakosmv	DESIGNED - RTB	REVISED -	STATE OF ILLINOIS DEPARTMENT OF TRANSPORTATION	IL 43 NB (HARLEM AVENUE) OVER I.C RR FRAMING PLAN, DETAIL AND SECTION S.N. 016-0318	F.A.P. RTE.	SECTION	COUNTY	TOTAL SHEETS	SHEET NO.	
c:\pwork\pwork\ttnakosmv\d0101671\016-0317-0318.dgn		DRAWN - MVT	REVISED -			848	0708 (2 & .2A) BR	COOK	36	16	
PLOT SCALE = 50.0000" / IN.		CHECKED - MVT	REVISED -			CONTRACT NO. 60L53					
PLOT DATE = 5/18/2011		DATE - 11/4/09	REVISED -			ILLINOIS FED. AID PROJECT					
					SCALE:	SHEET NO. 16 OF 19 SHEETS	STA.	TO STA.			