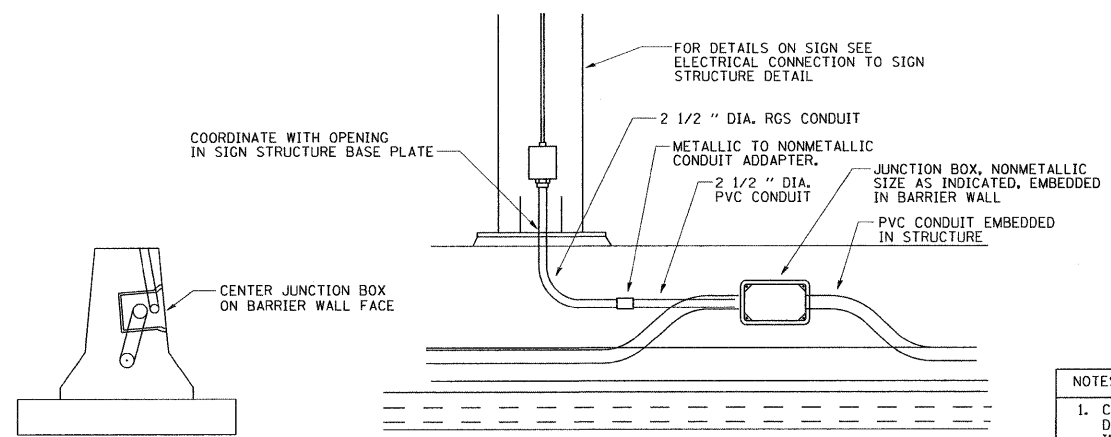


NOTES

1. CONDUIT SHALL BE 4-INCH DIAMETER UNLESS OTHERWISE INDICATED IN THE PLANS.
2. JUNCTION BOX SIZE  
SINGLE FACE WALL: 21" X 11" X 8"  
DOUBLE FACE WALL: 20" X 13" X 12"

NOTE: FOR DETAILS ABOVE BARRIER WALL SEE UNDERPASS DETAILS.

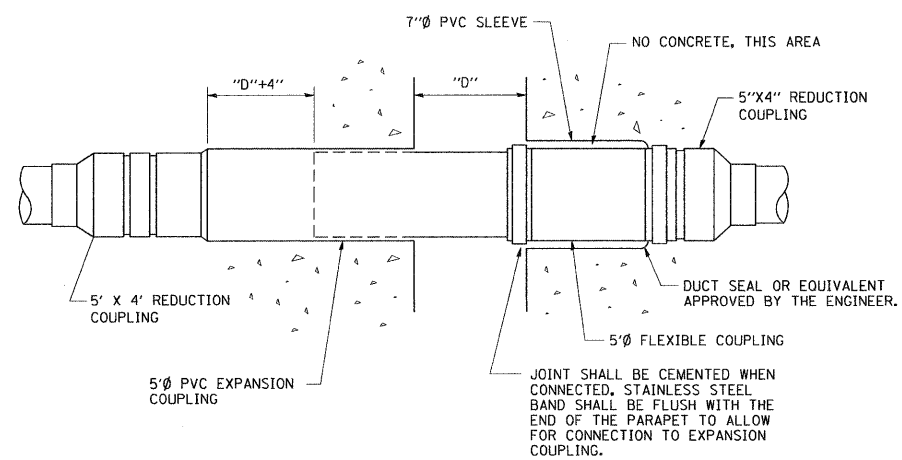
ED - BWD  
ELECTRIC CONNECTION TO UNDERPASS LIGHTING



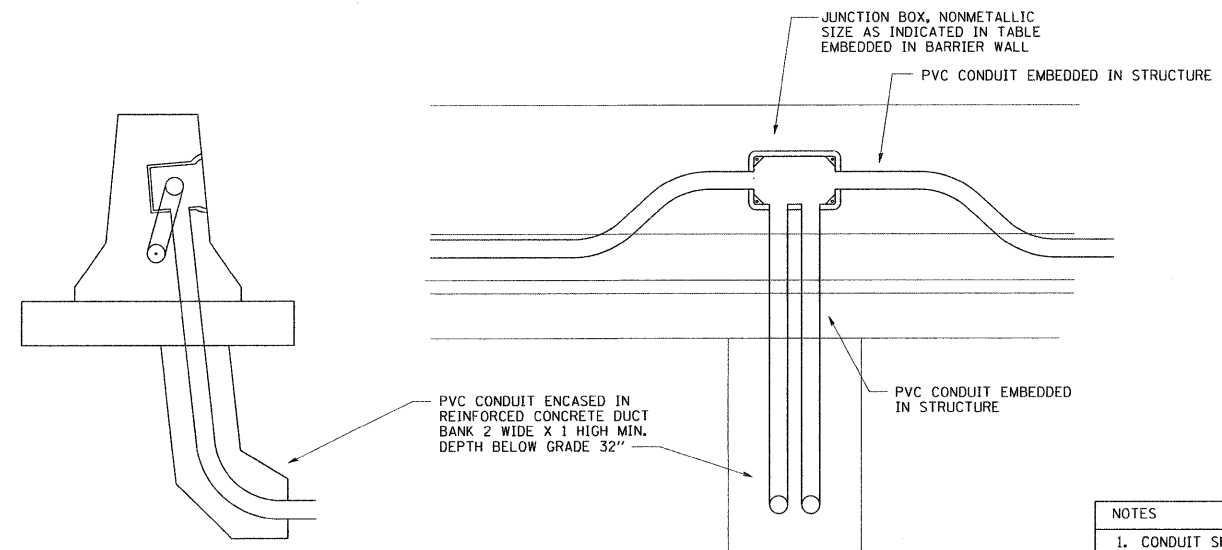
NOTES

1. CONDUIT SHALL BE 4-INCH DIAMETER UNLESS OTHERWISE INDICATED IN THE PLANS.
2. JUNCTION BOX SIZE  
SINGLE FACE WALL: 21" X 11" X 8"  
DOUBLE FACE WALL: 20" X 13" X 12"

ED - SGN  
JUNCTION BOX EMBEDDED IN BARRIER WALL FOR SIGN LIGHTING



INSTALLATION OF CONDUIT  
IN BRIDGE PARAPET EXPANSION JOINT  
(N.T.S.)



NOTES

1. CONDUIT SHALL BE 4-INCH DIAMETER UNLESS OTHERWISE INDICATED IN THE PLANS.
2. JUNCTION BOX SIZE  
SINGLE FACE WALL: 21" X 11" X 8"  
DOUBLE FACE WALL: 20" X 13" X 12"

ED - BW  
JUNCTION BOX EMBEDDED IN BARRIER WALL

FILE NAME = DistStd.dgn	USER NAME = gorengautab	DESIGNED -	REVISED -	<b>STATE OF ILLINOIS DEPARTMENT OF TRANSPORTATION</b>	<b>MISCELLANEOUS ELECTRICAL DETAILS, SHEET B J BOX EMBEDDED IN BARRIER WALL - INSTALLATION OF CONDUIT IN BRIDGE PARAPET EXPANSION JOINT - ELECTRIC CONNECTION TO UNDERPASS LIGHTING</b>			F.A.P. RTE.	SECTION	COUNTY	TOTAL SHEETS	SHEET NO.			
	PLOT SCALE = 5/8" = 1" / IN.	DRAWN -	REVISED -		SCALE: NONE	SHEET NO. 1	OF 1	SHEETS	STA.	TO STA.	348	0708 (L2 & .2A) BR	COOK	36	36C
	PLOT DATE = 5/19/2011	CHECKED -	REVISED -								<b>BE-703</b>				
		DATE - 01-20-2009	REVISED -								CONTRACT NO. 60L53				
											FED. ROAD DIST. NO. 1   ILLINOIS   FED. AID PROJECT				