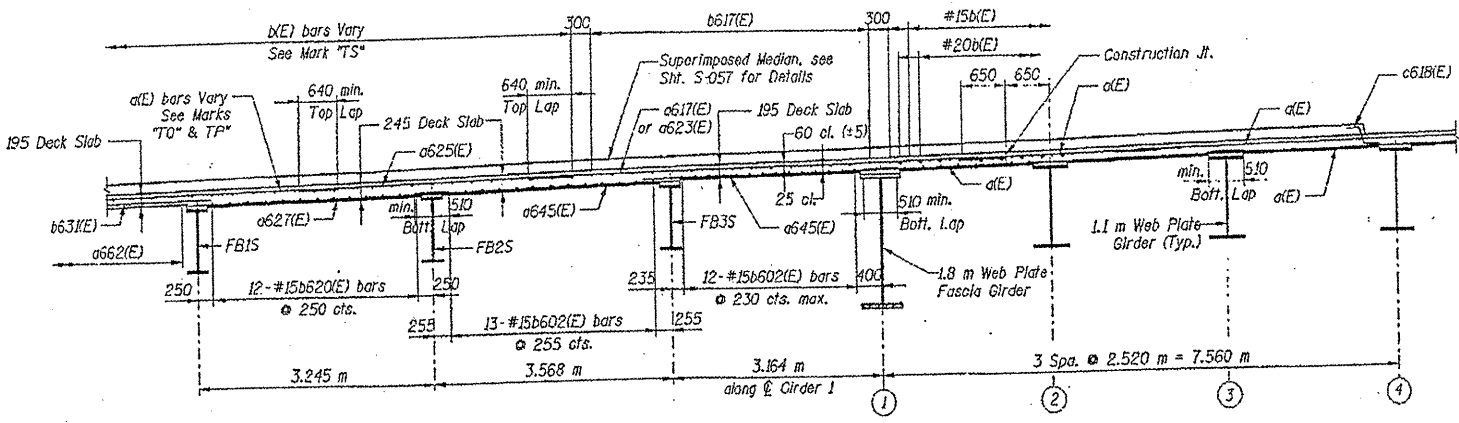
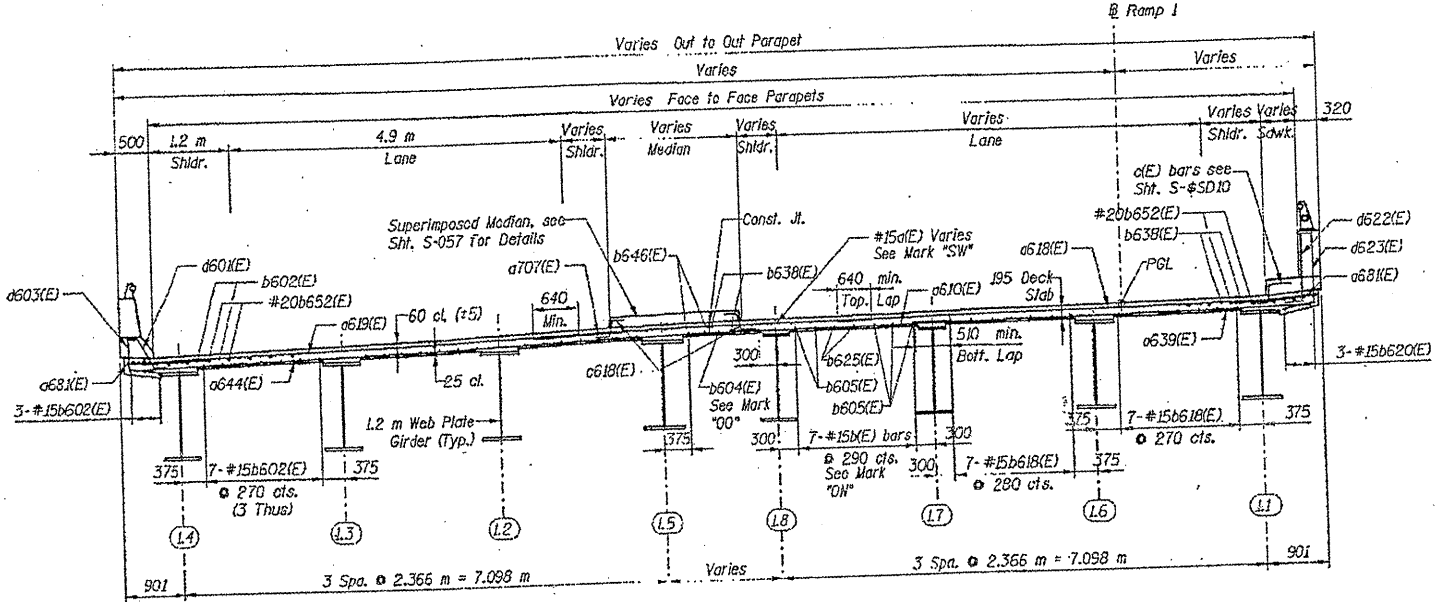


ROUTE	SECTION	COUNTY	TOTAL SHEETS	SHEET NUMBER
FAI 55	2011-016-I	COOK	173	49

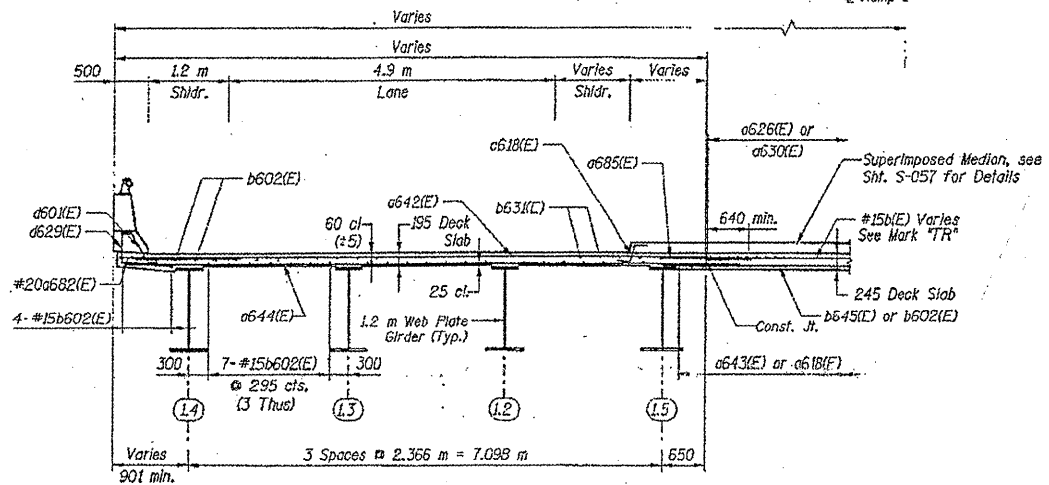
CONTRACT NO. 60P07



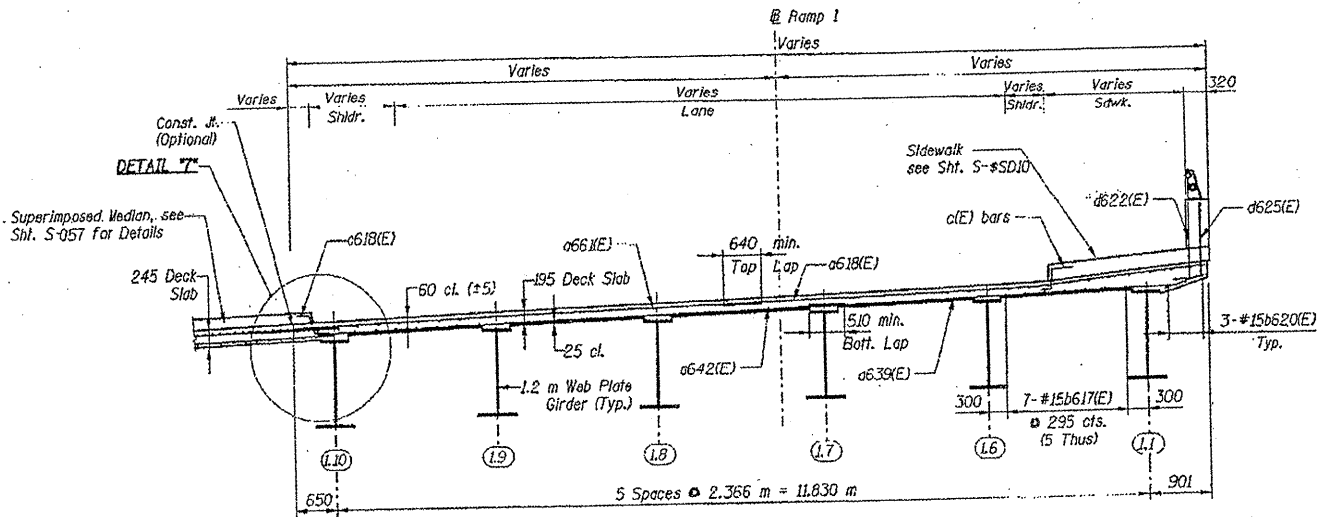
DECK CROSS SECTION M-M



DECK CROSS SECTION N-N



DECK CROSS SECTION Q-Q



DECK CROSS SECTION R-R

**FOR INFORMATION ONLY**

ILLINOIS DEPARTMENT OF  
TRANSPORTATION  
EXISTING PLANS  
  
LOCATION 15 (SN 016-1009)  
(DAMEN AVE)  
SHEET 9 OF 34