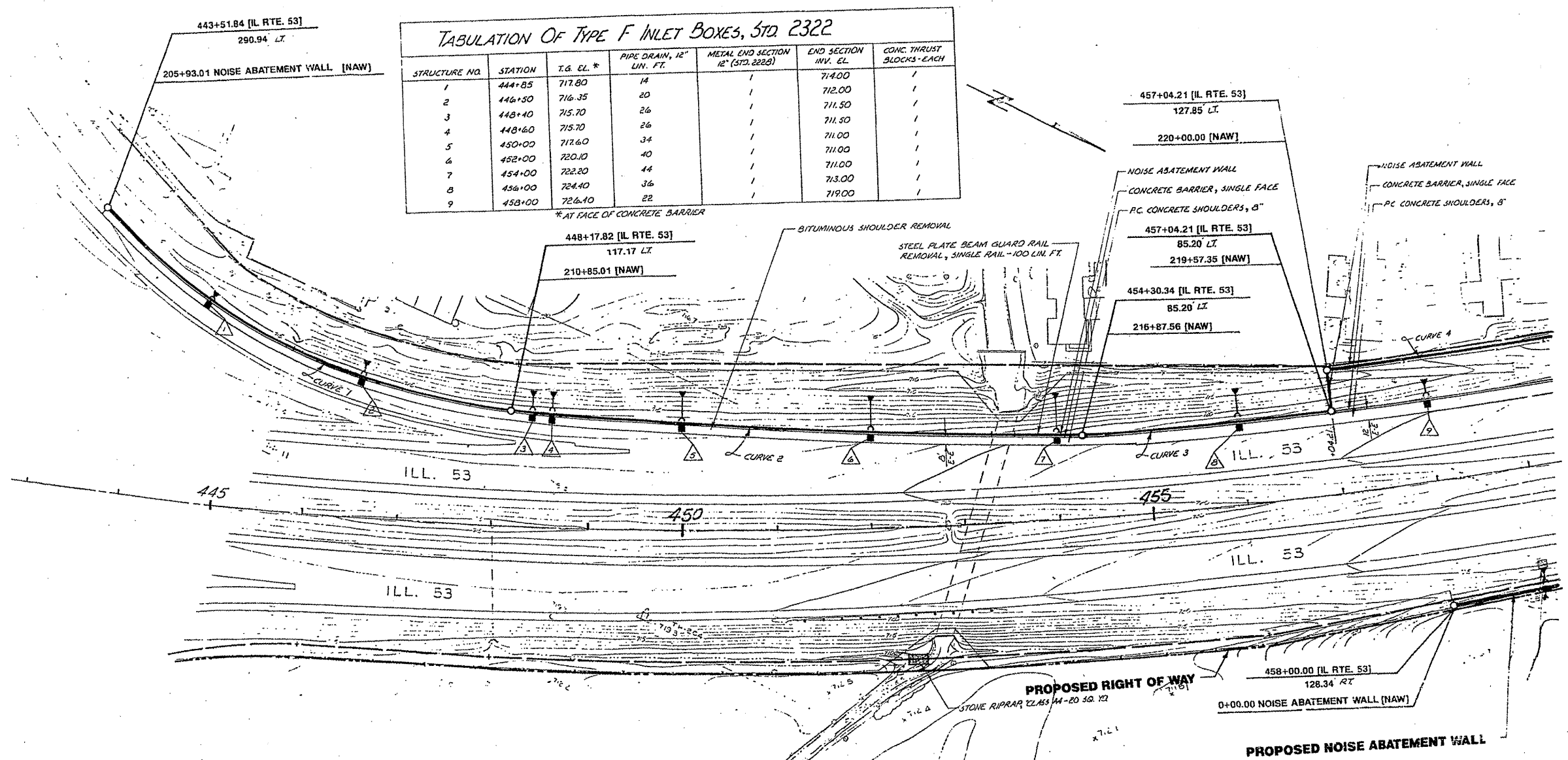


ROUTE	SECTION	COUNTY	TOTAL SHEETS	SHEET NUMBER
FAP 342	2011-026-1	COOK & LAKE	71	43

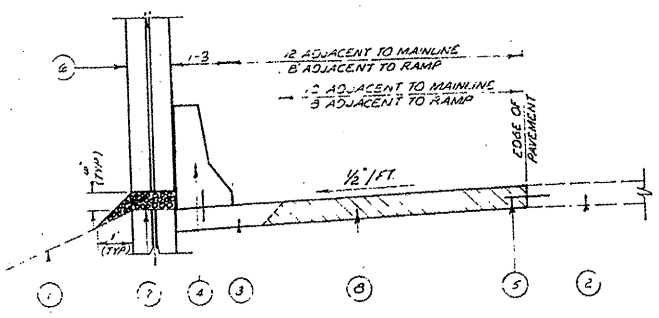
CONTRACT NO. 60P26



TABULATION OF TYPE F INLET BOXES, STD. 2322

STRUCTURE NO.	STATION	T.G. EL. *	PIPE DRAIN, 12" LIN. FT.	METAL END SECTION 12" (STD. 2322)	END SECTION INV. EL.	CONC. THRUST BLOCKS - EACH
1	444+85	717.80	14	/	714.00	/
2	446+50	716.35	20	/	712.00	/
3	448+40	715.70	26	/	711.50	/
4	448+60	715.70	26	/	711.50	/
5	450+00	717.60	34	/	711.00	/
6	452+00	720.10	40	/	711.00	/
7	454+00	722.20	44	/	713.00	/
8	456+00	724.40	36	/	719.00	/
9	458+00	726.10	22	/	/	/

* AT FACE OF CONCRETE BARRIER



TYPICAL SECTION

- LEGEND**
- ① EXISTING GROUND LINE
 - ② EXISTING 8" CRC PAVEMENT
 - ③ PROPOSED PCC SHOULDER 8" (20' JOINT SPACING)
 - ④ PROPOSED CONCRETE BARRIER, SINGLE FACE (CAST IN PLACE) STD. 2313 (CONTRACTION JOINTS @ 30' CTS. MATCHING JOINTS IN SHOULDER)
 - ⑤ PROPOSED 1/4" EXPANSION TIE ANCHORS @ 30' CTS.
 - ⑥ PROPOSED NOISE ABATEMENT WALL
 - ⑦ PROPOSED COARSE AGGREGATE (CA-III)
 - ⑧ BITUMINOUS SHOULDER REMOVAL (8" BIT.)

CURVE DATA

	CURVE 1	CURVE 2	CURVE 3	CURVE 4
Δ	40° 51' 15.77"	6° 06' 42.59"	2° 44' 19.21"	5° 34' 34.00"
D	8° 18' 13.45"	1° 00' 52.40"	1° 00' 54.34"	1° 01' 12.67"
R	670.00'	5647.380'	5644.380'	5608.570'
T	256.982'	301.562'	134.923'	289.459'
L	492.000'	602.552'	269.794'	578.164'
E	46.301'	8.046'	1.612'	2.466'
P.C.	443+51.840	448+12.819	454+30.343	457+04.210
P.I.	445+55.38	451+24.08	455+67.27	460+00.08
P.T.	448+12.819	454+30.343	457+04.210	462+95.965

STONE RIPRAP, CLASS AA
 STORM SEWER TYPE 1, 2'-0" DIA.
 STA. 459+00, 126 RT
 INLET TYPE A, TYPE B 3'-0" DIA.
 T.G. ELEV. 125.0
 INV. ELEV. 723.5

ILLINOIS DEPARTMENT OF TRANSPORTATION

ILL RTE 53 EXISTING PLANS

SHEET 2 OF 19