

* SEE NOTE 3 SHEET 38
 ** SEE NOTE 5 SHEET 38

TEMPORARY CABLE PLAN

PEDESTRIAN PUSH BUTTON NOTES:
 PUSH BUTTON "A" SHALL PLACE A CALL IN PHASES 2 AND 4.
 PUSH BUTTON "B" SHALL PLACE A CALL IN PHASES 4 AND 6.
 PUSH BUTTON "C" SHALL PLACE A CALL IN PHASES 6 AND 8.
 PUSH BUTTON "D" SHALL PLACE A CALL IN PHASES 2 AND 8.

I.D.O.T TRAFFIC SIGNAL INSTALLATION ELECTRICAL SERVICE REQUIREMENTS					
TYPE	NO. LAMPS	WATTAGE INCAND.	WATTAGE LED	%OPERATION	TOTAL WATTAGE
SIGNAL (RED)	12	135		0.50	810.00
(YELLOW)	12	135		0.25	405.00
(GREEN)	12	135		0.25	405.00
ARROW	16	135		0.10	216
PED. SIGNAL	8	90		1.00	720.00
CONTROLLER	1	100		1.00	100.00
ILLUM. SIGN	-	-	-	0.05	-
VIDEO DET	1	150		1.00	150.00
FLASHER				0.50	-
TOTAL =					2806

ENERGY COSTS TO:
 VILLAGE OF SHOREWOOD
 1 TOWNE CENTER BOULEVARD
 SHOREWOOD, ILLINOIS 60404

ENERGY SUPPLY CONTACT: JIM CLOVER
 PHONE: (815) 724-5054
 COMPANY: COM. ED.

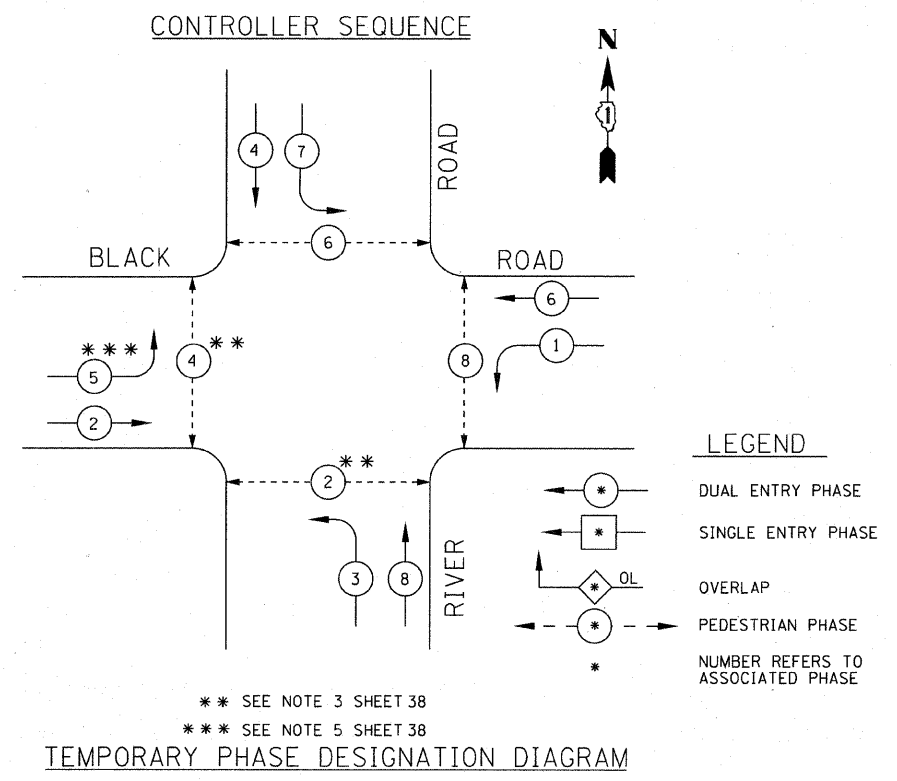


DESIGNED - DSH	REVISED -
DRAWN - MAC	REVISED -
CHECKED - LDH	REVISED -
DATE - 12/6/10	FILE - 090491-PH2-ts-temp-cable.sht

**VILLAGE OF SHOREWOOD, ILLINOIS
 BLACK ROAD & RIVER ROAD
 INTERSECTION IMPROVEMENT**

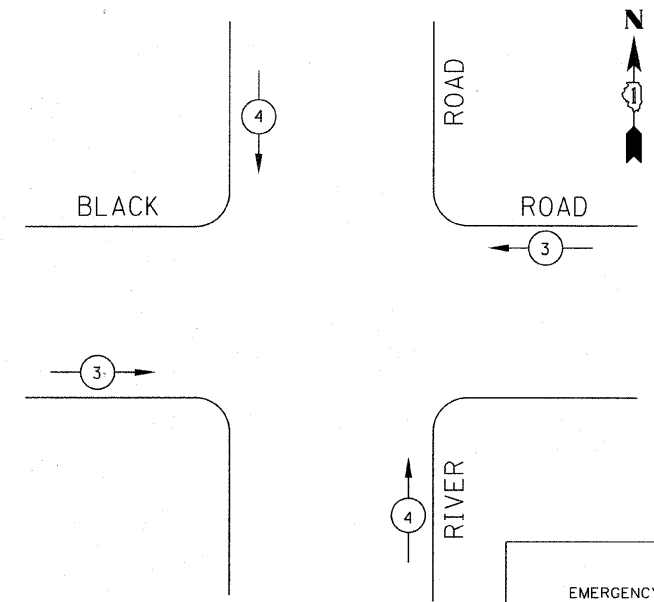
**TEMPORARY CABLE PLAN
 AND TEMPORARY PHASE DESIGNATION DIAGRAM
 BLACK ROAD AND RIVER ROAD**

SCALE: NONE STA. TO STA.



** SEE NOTE 3 SHEET 38
 *** SEE NOTE 5 SHEET 38

TEMPORARY EMERGENCY VEHICLE PREEMPTION SEQUENCE



PROPOSED EMERGENCY VEHICLE PREEMPTION		
EMERGENCY VEHICLE PREEMPTION	3	4
MOVEMENT	← →	↑ ↓

COPYRIGHT © 2009 BY BAXTER & WOODMAN, INC.
 STATE OF ILLINOIS - PROFESSIONAL DESIGN FIRM
 LICENSE NO. 384-000211 - EXPIRES 4/30/2011
 PROJECT NO. 090491-PH2-ts-temp-cable.sht
 DATE: 12/2/10

F.A.U. RTE.	SECTION	COUNTY	TOTAL SHEETS	SHEET NO.
0258 0356	09-00028-00-CH	WILL	63	39
C-91-726-09		CONTRACT NO. 63562		
FED. ROAD DIST. NO. 1 (ILLINOIS) FED. AID PROJECT				W-9003(385)